

DINGLI

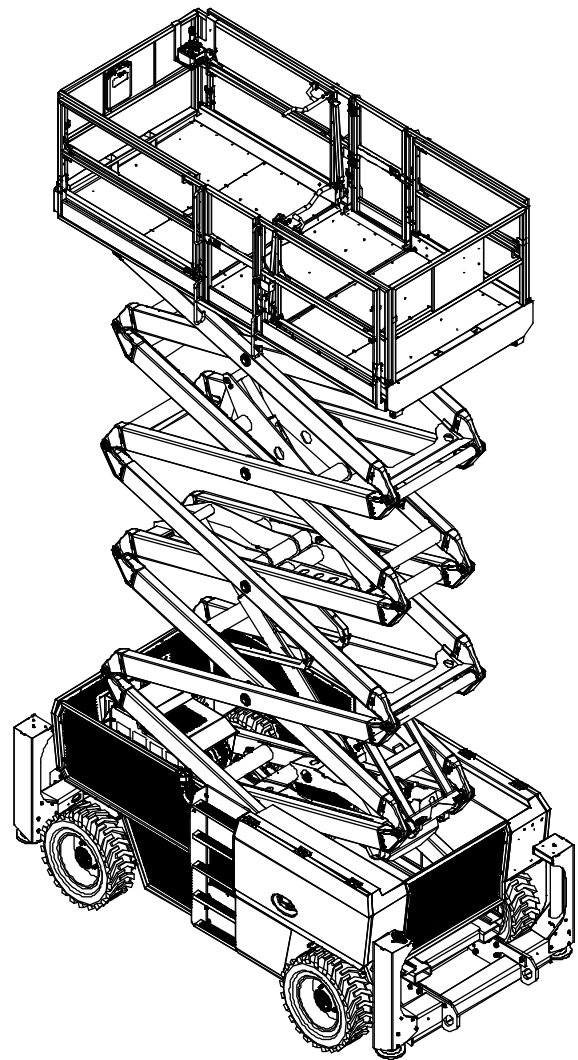
Exceed · New Height

Parts Manual

JCPT1523RTB

JCPT1823RTB

From SN
JPR1523723E0168-JPR1523723E0428
JPD1823323E0433-JPD1823323F0075



CE ANSI

Part Number: SM012120119

Version Number: Rev1.1

August 2023 Printing

DINGLI

Foreword

We are very appreciated for your interesting with Dingli machine and choosing it for your application. Our priority above all is you can use the machine safely for your application and you can benefit from the Dingli machine mostly. For these reason we hope you can:

1. Comply with employer, job site and local governmental rules.
2. Safeguard your commitment to quality by always using genuine Dingli spare parts. Remember, Dingli cannot accept responsibility for the failure of a separator equipped with non-original spare parts. We guarantee the quality and reliability of our products.
3. All sketch maps of parts shown in this manual are for reference only, it is the practical that counts. This manual includes all the latest information up to the date when it was printed. All responsibilities for the revision and explanation of the manual rest with the Dingli. We also preserve the right to edit the technology characteristic and content of the manual.
4. Anyone who read the manual or used the machine, is encouraged to notify Dingli Machinery Co, Ltd of any errors or send in suggestions for improvement. All communications will be carefully considered for future printings of this and other manuals, certainly if you have any question about the machine, please contact with our team by dialing technical support phone, sending email, or any methods you want, etc. Our contact information as bellow:

If you are in China Mainland, Please contact with:

Zhejiang Dingli Machinery Co.,Ltd. Domestic Office:

Phone: +86 572 8681766
Fax: +86 572 8681700
Email: sales@cndingli.com

If you are out of the China Mainland, Please contact with:

Zhejiang Dingli Machinery Co.,Ltd. International Office:

Phone: +86 572 8681688
Fax: +86 572 8681690
Email: export@cndingli.com

Table of Contents

Section 1 Chassis

101.1	Steer Axle Assembly Installation.....	2
102.1	Steer Axle Linkage	4
103.1	Wheels and Drive Hubs	6
104.1	Left Motor Assembly.....	8
105.1	Right Motor Assembly	9
106.1	Non-Steer Axle Assembly	10
107.1	Rear Motor Assembly.....	13
108.1	Engine Tray Installation.....	14
109.1	Engine Tray Assembly (Kubota EU Stage V Engine).....	16
109.2	Engine Tray Assembly (Kubota EU Stage IIIB Engine).....	19
109.3	Engine Tray Assembly (YANMAR EU Stage V Engine).....	22
110.1	Electrical Accessory Assembly (Kubota EU Stage V Engine)	25
110.2	Electrical Accessory Assembly (Kubota EU Stage IIIB Engine).....	27
110.3	Electrical Accessory Assembly (YANMAR EU Stage V Engine).....	28
110.4	Electrical Accessory Assembly (YANMAR EU Stage V Engine).....	30
111.1	Cooling System Installation (Kubota EU Stage V Engine).....	31
111.2	Cooling System Installation (Kubota EU Stage IIIB Engine)	33
111.3	Cooling System Installation (YANMAR EU Stage V Engine).....	34
112.1	Cooling System Assembly (Kubota EU Stage V Engine).....	36
112.2	Cooling System Assembly (Kubota EU Stage IIIB Engine)	38
112.3	Cooling System Assembly (YANMAR EU Stage V Engine)	40
113.1	Intake System and Exhaust System (Kubota EU Stage V Engine)	42
113.2	Intake System and Exhaust System (Kubota EU Stage IIIB Engine).....	44
113.3	Intake System and Exhaust System (YANMAR EU Stage V Engine).....	46
113.4	Intake System and Exhaust System (Kubota EU Stage IIIB-THA Engine)....	48
114.1	Engine Assembly (Kubota EU Stage V Engine).....	50
114.2	Engine Assembly (Kubota EU Stage IIIB Engine).....	53
114.3	Engine Assembly (YANMAR EU Stage V Engine).....	56
114.4	Engine Assembly (Kubota EU Stage IIIB-THA Engine)	58
115.1	Fuel Filter Assembly (Kubota EU Stage V Engine).....	61

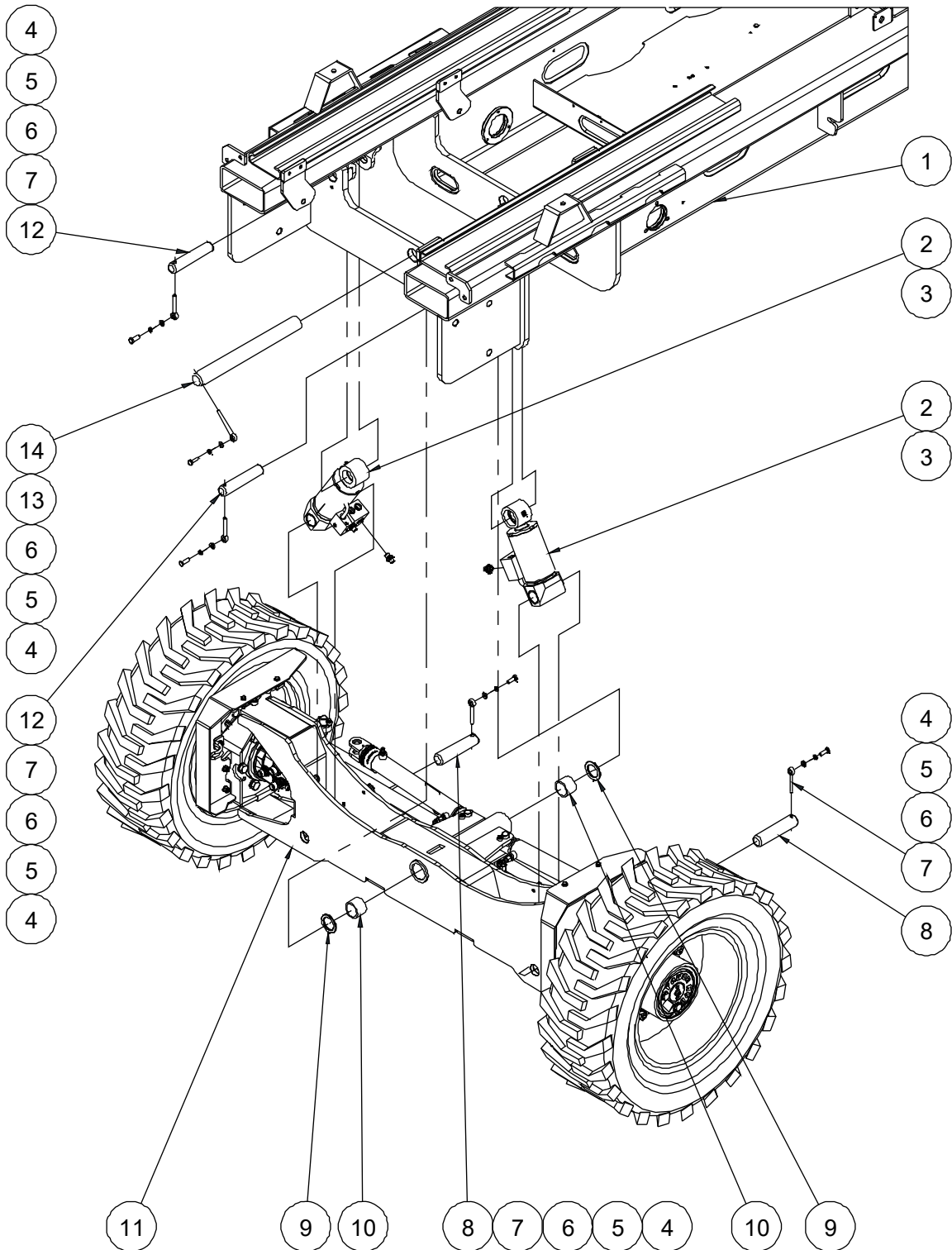
115.2	Fuel Filter Assembly (Kubota EU Stage IIIB Engine).....	63
115.3	Fuel Filter Assembly (YANMAR EU Stage V Engine).....	64
116.1	Drive Pump Assembly.....	66
117.1	Fuel System Assembly (Kubota EU Stage IIIB Engine).....	67
118.1	Engine Cover Assembly.....	68
119.1	Hydraulic Tray Installation.....	70
120.1	Hydraulic Tray Door Installation.....	72
121.1	Hydraulic Tank and Manifolds Installation.....	74
122.1	Hydraulic Tank Assembly.....	76
123.1	Drive Manifold Assembly.....	79
124.1	Hydraulic Hoses Manifold Assembly.....	80
125.1	Function Manifold Assembly.....	81
126.1	Ground Control Tray Installation.....	83
127.1	Ground Control Tray Door Installation.....	85
128.1	Fuel Tank and Ground Control Installation.....	87
129.1	Fuel Tank Assembly.....	90
130.1	Ground Control Box Assembly.....	91
131.1	Link Guard and Ladder.....	94
132.1	Beacon Assembly.....	97
133.1	Ladder Assembly (Option).....	98
134.1	Ladder and Oil Cooler Assembly.....	99
135.1	Alternator Assembly (Option).....	101
136.1	Outrigger Installation.....	103
137.1	Outrigger Assembly.....	104
138.1	Chassis Accessory Installation.....	107
139.1	Dual power switch assembly.....	110
140.1	Dual power switch assembly.....	111
Section 2 Scissor		
201.1	Scissor Assembly (JCPT1823RTB).....	113
201.2	Scissor Assembly (JCPT1523RTB).....	115
202.1	Scissor Arm Assembly 5.....	117
203.1	Slider Assembly.....	120
204.1	Scissor Arm Assembly 1.....	121
205.1	Safety Arm Assembly.....	124
206.1	Scissor Arm Assembly 2-3 (JCPT1823RTB).....	126
207.1	Cable Routing Device Assembly.....	128

208.1	Scissor Arm Assembly 2-3 (JCPT1523RTB).....	130
209.1	Scissor Arm Assembly 4 (JCPT1823RTB).....	132
Section 3 Platform		
301.1	Platform Assembly (Standard Platform).....	134
301.2	Platform Assembly (Extended Platform)	136
302.1	Main Platform Assembly (Standard Platform)	138
302.2	Main Platform Assembly (Extended Platform).....	141
303.1	Support Roller Assembly (Standard Platform).....	144
303.2	Support Roller Assembly (Extended Platform).....	145
304.1	Side Roller Assembly	146
305.1	Front Platform Extension Assembly (Standard Platform).....	147
305.2	Front Platform Extension Assembly (Extended Platform).....	150
306.1	Rear Platform Extension Assembly (Standard Platform)	153
306.2	Rear Platform Extension Assembly (Extended Platform)	156
307.1	Platform Locking Device Assembly.....	159
308.1	Platform Control Box Assembly	161
309.1	Anti-collision Device (Option)	162
Section 4 Hydraulic System		
401.1	Lower Lift Cylinder Assembly	165
402.1	Upper Lift Cylinder Assembly (JCPT1823RTB).....	167
403.1	Left Steer Cylinder Assembly	169
404.1	Right Steer Cylinder Assembly	170
405.1	Outrigger Cylinder Assembly	171
405.2	Outrigger Cylinder Assembly	173
405.3	Outrigger Cylinder Assembly	175
405.4	Outrigger Cylinder Assembly	177
406.1	Drive Manifold.....	179
407.1	Function Manifold.....	181
407.2	Function Manifold.....	184
408.1	Hydraulic Hoses and Fittings-Drive.....	187
409.1	Hydraulic Hoses and Fittings-Function	190
410.1	Hydraulic Hoses and Fittings-Outrigger	193
411.1	Hydraulic Hoses and Fittings-Alternator (option).....	195
Section 5 Electrical System		
501.1	Electrical Harness (Kubota EU Stage V Engine).....	197
501.2	Electrical Harness (Kubota EU Stage IIIB Engine)	200

501.3	Electrical Harness (YANMAR EU Stage V Engine).....	203
Section 6 Decal		
601.1	Decals with Words.....	209
602.1	Decals with Symbols	214

Section 1 Chassis

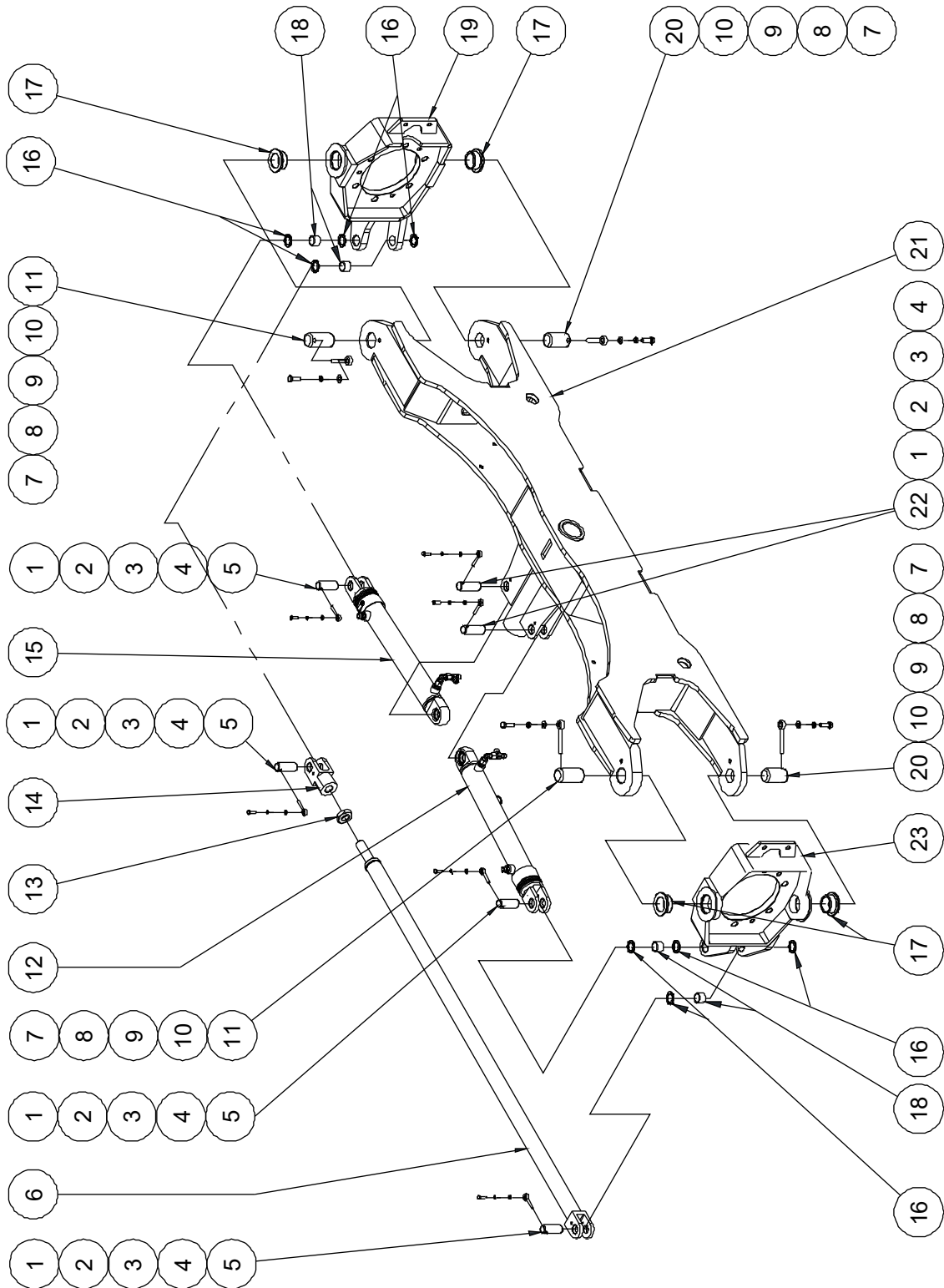
101.1 Steer Axle Assembly Installation



101.1 Steer Axle Assembly Installation

Item	Part No.	Description	Qty.
1	10019069	Frame weldment	1
2	10004333	Oscillate cylinder	2
--	00003373	Counterbalance valve spool	1
--	00005325	Seal kit	1
3	00001291	Straight fitting	4
4	00000683	Bolt GB/T 5783 M10×30	5
5	00000679	Washer GB/T 93 10	5
6	00000615	Washer GB/T 97.1 10	5
7	00000220	8902-10080 Pin	4
8	00004541	895-38.1×155 Pin	2
9	10003621	Washer	2
10	00000422	8813-455540 Bearing	2
11		Font axle assembly (refer to 102.1, 103.1)	1
12	00004542	895-35160 Pin	2
13	00002481	8902-10100 Pin	1
14	00000121	895-45440 Pin	1

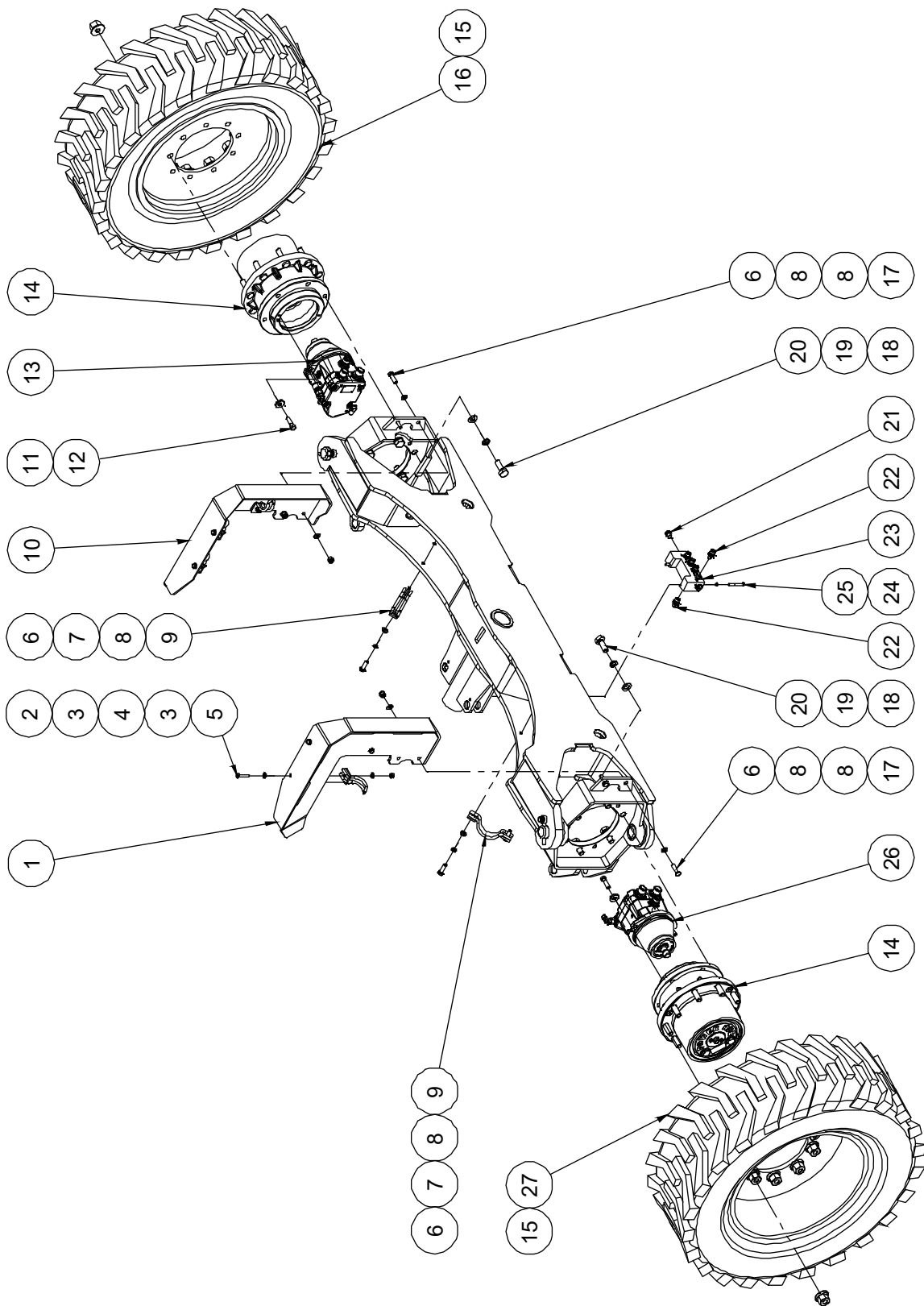
102.1 Steer Axle Linkage



102.1 Steer Axle Linkage

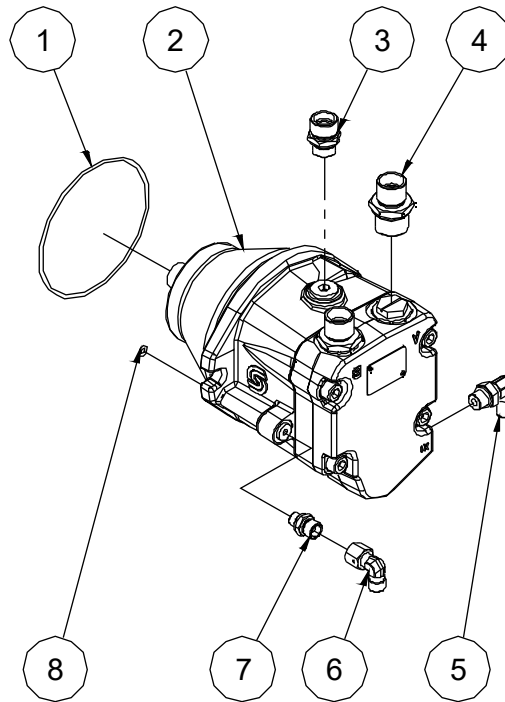
Item	Part No.	Description	Qty.
1	00000743	Bolt GB/T 5783 M6×20	6
2	00000621	Washer GB/T 93 6	6
3	00000620	Washer GB/T 97.1 6	6
4	00000217	8902-06045 Pin	6
5	00000020	895-24055 Pin	4
6	10003698	Tie rod weldment	1
7	00000683	Bolt GB/T 5783 M10×30	4
8	00000679	Washer GB/T 93 10	4
9	00000615	Washer GB/T 97.1 10	4
10	00000220	8902-10080 Pin	4
11	00000107	895-40070 Pin	2
12		Right steer cylinder assembly (without seal kit) (refer to 404.1)	1
13	10002548	Nut M24×1.5	1
14	10003702	Clevis yoke	1
15		Left steer cylinder assembly (without seal kit) (refer to 403.1)	1
16	10003613	Washer	8
17	00000199	8821-4025 Bearing	8
18	00000364	8812-242820 Bearing	4
19	10003693	Steer yoke weldment	1
20	00000106	895-40059 Pin	2
21	10019055	Steer axle weldment	1
22	00000023	895-25060 Pin	2
23	10003684	Steer yoke weldment	1

103.1 Wheels and Drive Hubs



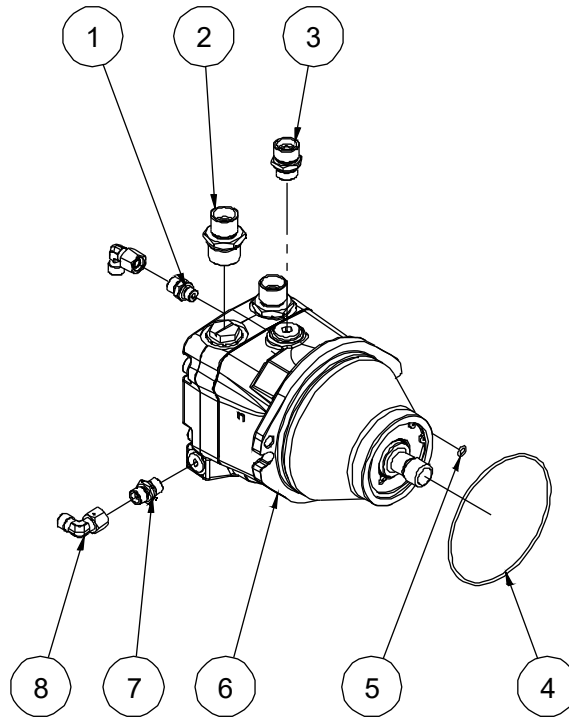
103.1 Wheels and Drive Hubs

Item	Part No.	Description	Qty.
1	50002878	Yoke guard	1
2	00000994	Nut GB/T 889.1 M8	6
3	00000608	Washer GB/T 97.1 8	12
4	10001580	Hose clamp	6
5	00002604	Bolt GB/T 5783 M8×40	6
6	00000684	Bolt GB/T 5783 M10×35	8
7	00000679	Washer GB/T 93 10	8
8	00000615	Washer GB/T 97.1 10	16
9	10005452	Hose clamp weldment	2
10	50002882	Yoke guard	1
11	10002531	Washer	4
12	00003115	7/16-14×1 1/2" Bolt ANSI B18.2.1	4
13		Left motor assembly (refer to 104.1)	1
14	00003957	Drive hub	2
15	00002274	5/8-18UNF Nut	18
16	00003098	Wheel (black)	1
	00006234	Wheel (grey)	1
17	00000623	Nut GB/T 6182 M10	4
18	00000997	Washer GB/T 97.1 16	12
19	00001035	Washer GB/T 93 16	12
20	00003103	5/8-11×1 3/4" Bolt ANSI B18.2.1	12
21	00001073	Plug VSTI14×1.5ED	2
22	00001290	Straight fitting	6
23	00006288	Transition manifold	1
24	00000621	Washer GB/T 93 6	2
25	00004299	Screw GB/T 70.1 M6×55	2
26		Right motor assembly (refer to 105.1)	1
27	00003099	Wheel (black)	1
	00006235	Wheel (grey)	1

104.1 Left Motor Assembly**104.1 Left Motor Assembly**

Item	Part No.	Description	Qty.
1	00001542	O-ring As568A 120.32×2.62	1
2	00003107	Motor	1
3	00001775	Straight fitting	1
4	00002073	Straight fitting	2
5	00004023	Elbow	1
6	00001832	Elbow	1
7	00001769	Straight fitting	1
8	00001387	O-ring GB1235-76 10×1.9	1

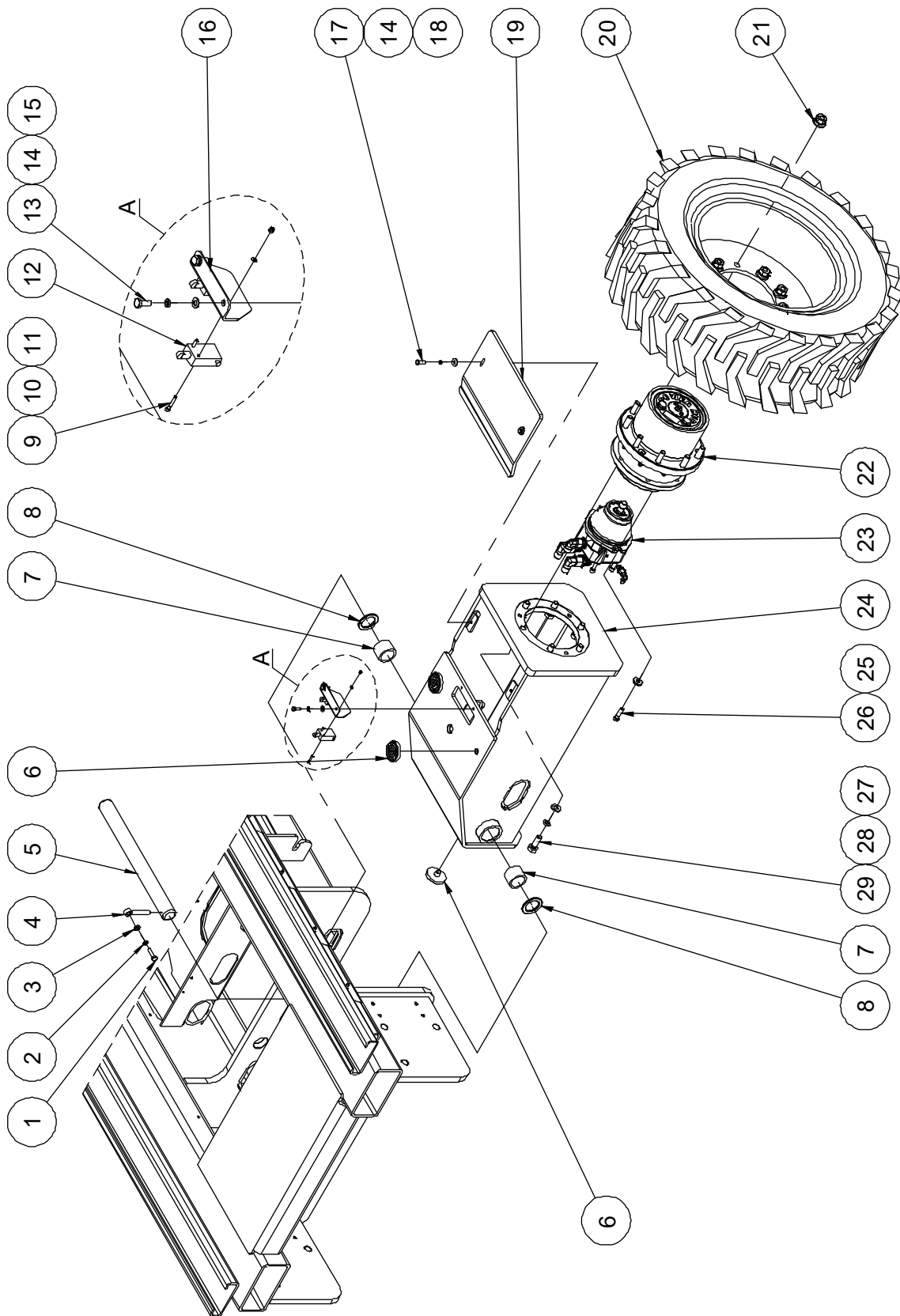
105.1 Right Motor Assembly



105.1 Right Motor Assembly

Item	Part No.	Description	Qty.
1	00001769	Straight fitting	1
2	00002073	Straight fitting	2
3	00001775	Straight fitting	1
4	00001542	O-ring As568A 120.32×2.62	1
5	00001387	O-ring GB1235-76 10×1.9	1
6	00003107	Motor	1
7	00002072	Straight fitting	1
8	00001832	Elbow	2

106.1 Non-Steer Axle Assembly



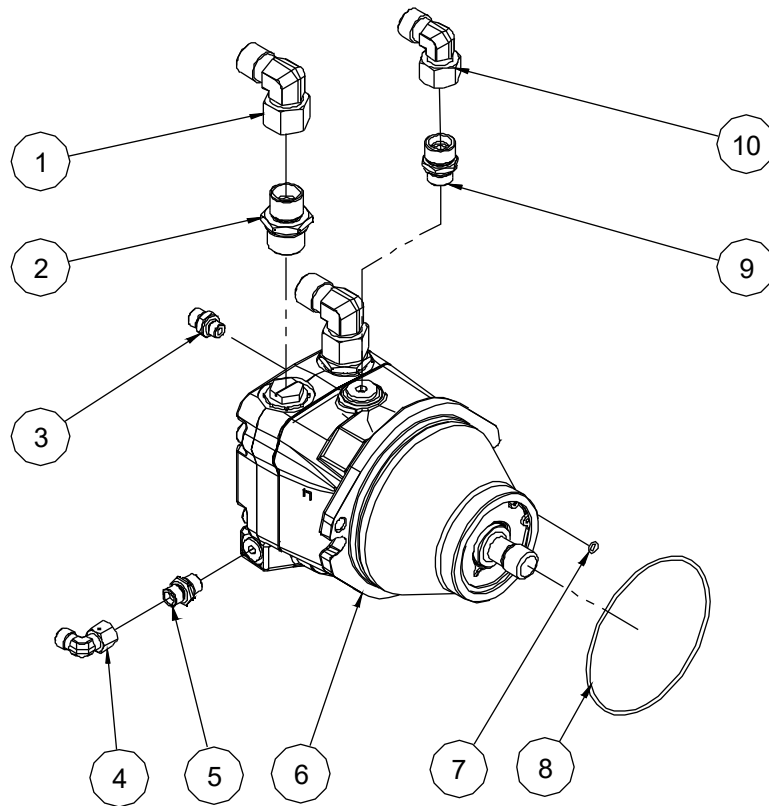
106.1 Non-Steer Axle Assembly

Item	Part No.	Description	Qty.
1	00000684	Bolt GB/T 5783 M10×35	1
2	00000679	Washer GB/T 93 10	1
3	00000615	Washer GB/T 97.1 10	1
4	00000220	8902-10080 Pin	1
5	00000122	895-45460 Pin	1
6	10003263	Block	3
7	00000422	8813-455540 Bearing	2
8	10003621	Washer	2
9	00002228	Screw GB/T 70.1 M4×25	4
10	00000778	Washer GB/T 97.1 4	4
11	00001236	Nut GB/T 889.1 M4	4
12	00008777	Limit switch	2
13	00000875	Bolt GB/T 5783 M8×20	2
14	00000609	Washer GB/T 93 8	4
15	00000608	Washer GB/T 97.1 8	2
16	10019060	Switch bracket	1
17	00000993	Bolt GB/T 5783 M8×25	2
18	00002000	Washer GB/T 96.1 8	2
19	10019059	Cover	1
20	00003099	Wheel (black)	1
	00006235	Wheel (grey)	1
21	00002274	5/8-18UNF Nut	9
22	00003957	Drive hub	1
23		Rear motor assembly (refer to 107.1)	1
24	10019057	Rear motor housing weldment	1
25	10002531	Washer	2
26	00003115	7/16-14×1 1/2" Bolt ANSI B18.2.1	2
27	00000997	Washer GB/T 97.1 16	6
28	00001035	Washer GB/T 93 16	6

106.1 Non-Steer Axle Assembly

Item	Part No.	Description	Qty.
29	00003103	5/8-11×1 3/4" Bolt ANSI B18.2.1	6

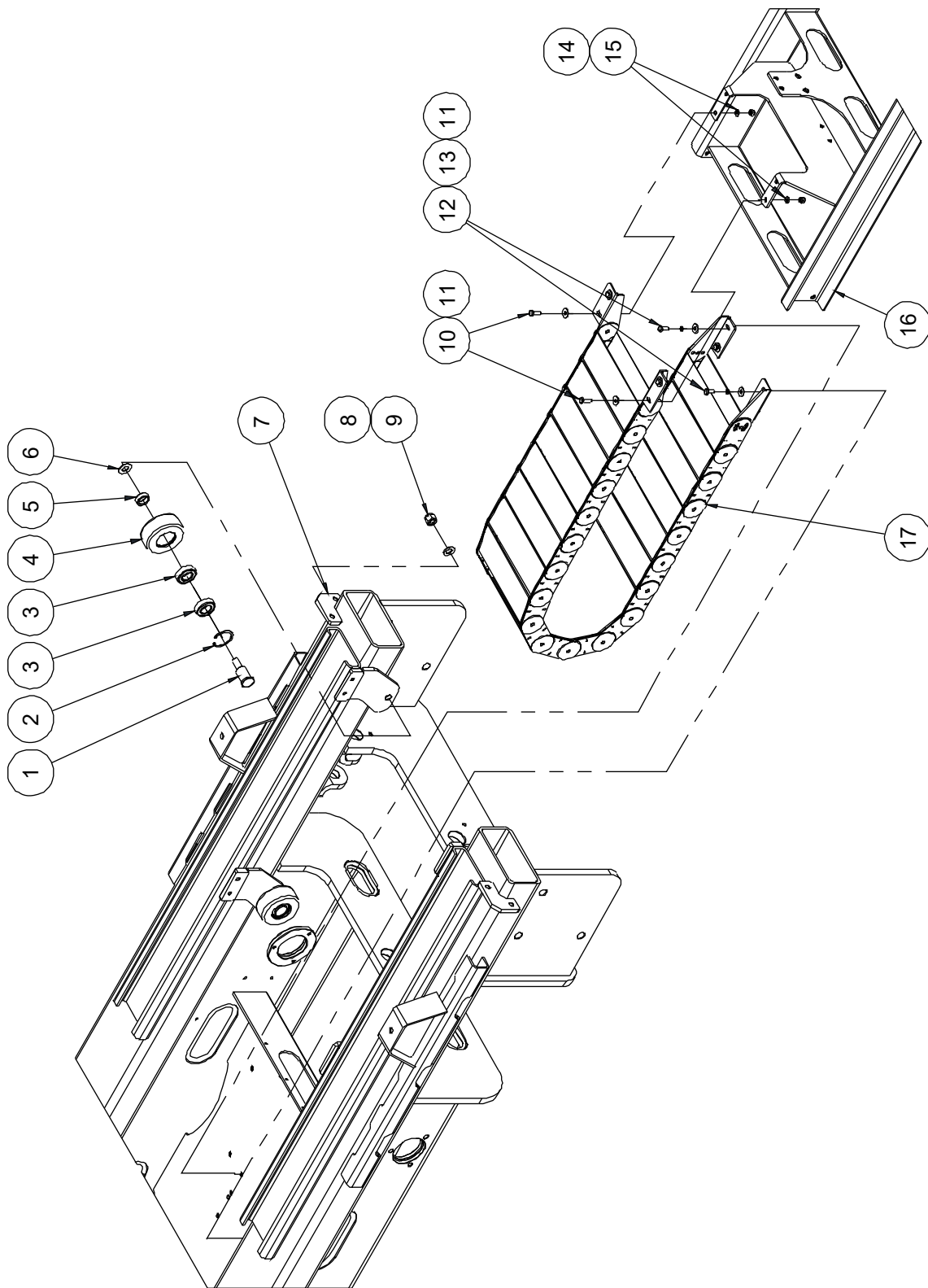
107.1 Rear Motor Assembly



107.1 Rear Motor Assembly

Item	Part No.	Description	Qty.
1	00001841	Elbow	2
2	00002073	Straight fitting	2
3	00001769	Straight fitting	1
4	00001832	Elbow	1
5	00002072	Straight fitting	1
6	00003107	Motor	1
7	00001387	O-ring GB1235-76 10×1.9	1
8	00001542	O-ring As568A 120.32×2.62	1
9	00001775	Straight fitting	1
10	00001835	Elbow	1

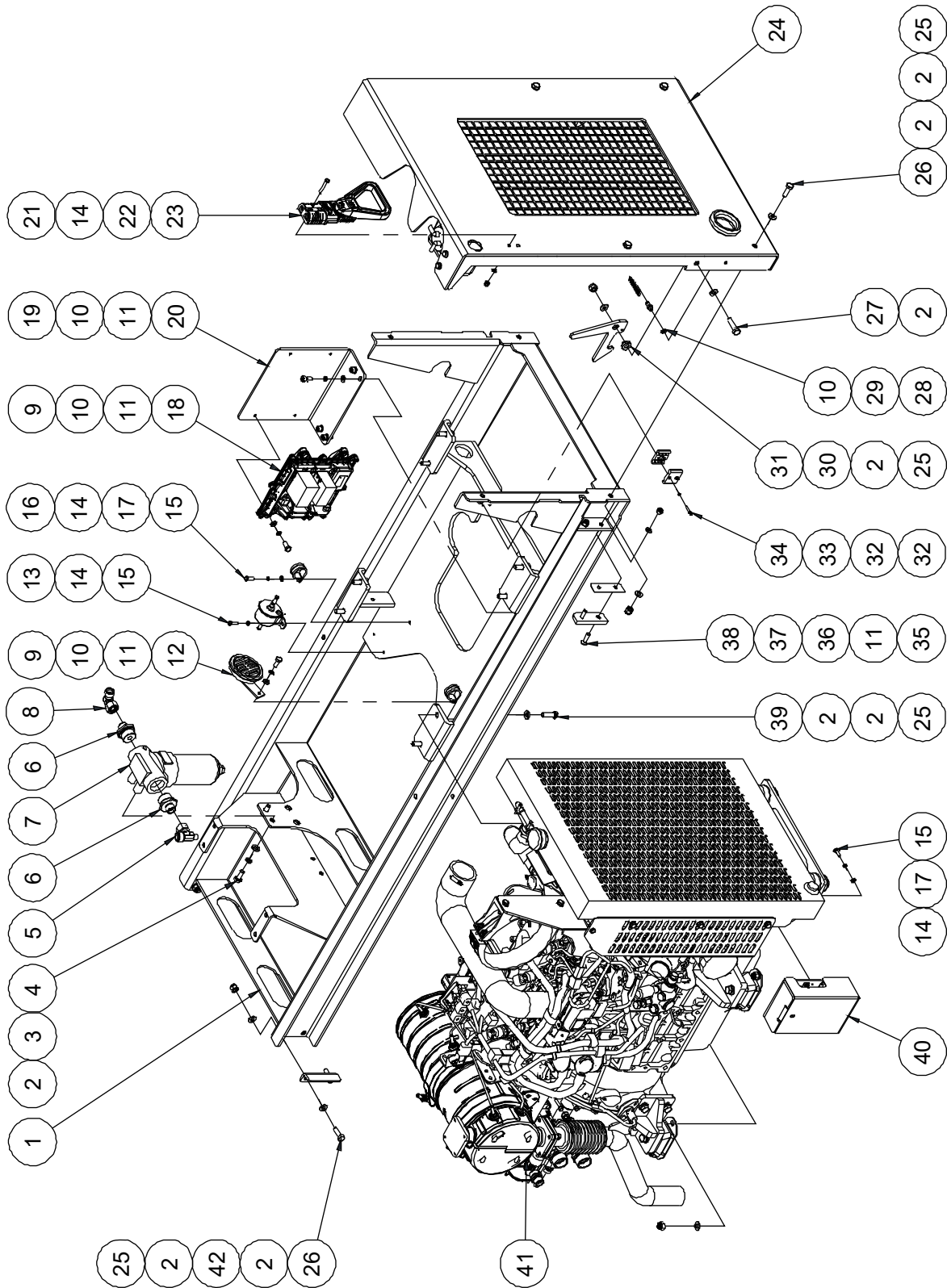
108.1 Engine Tray Installation



108.1 Engine Tray Installation

Item	Part No.	Description	Qty.
1	10003925	Pin	4
2	00000891	Circlips GB/T 893.1-52	4
3	00006963	Bearing GB/T 276-1994 - 6205-2RS	8
4	10003924	Roller	4
5	10003930	Spacer sleeve	4
6	10003931	Washer	4
7	10019069	Frame weldment	1
8	00000997	Washer GB/T 97.1 16	4
9	00001257	Nut GB/T 6182 M16	4
10	00000993	Bolt GB/T 5783 M8×25	4
11	00002000	Washer GB/T 96.1 8	8
12	00000875	Bolt GB/T 5783 M8×20	4
13	00000609	Washer GB/T 93 8	4
14	00001163	Nut GB/T 6182 M8	4
15	00000608	Washer GB/T 97.1 8	4
16	10006299	Engine tray (Kubota EU stage V engine)	1
	10003848	Engine tray (Kubota EU stage IIIB engine)	1
	10021792	Engine tray (YANMAR EU stage V engine)	1
17	10003933	Towline	1

109.1 Engine Tray Assembly (Kubota EU Stage V Engine)



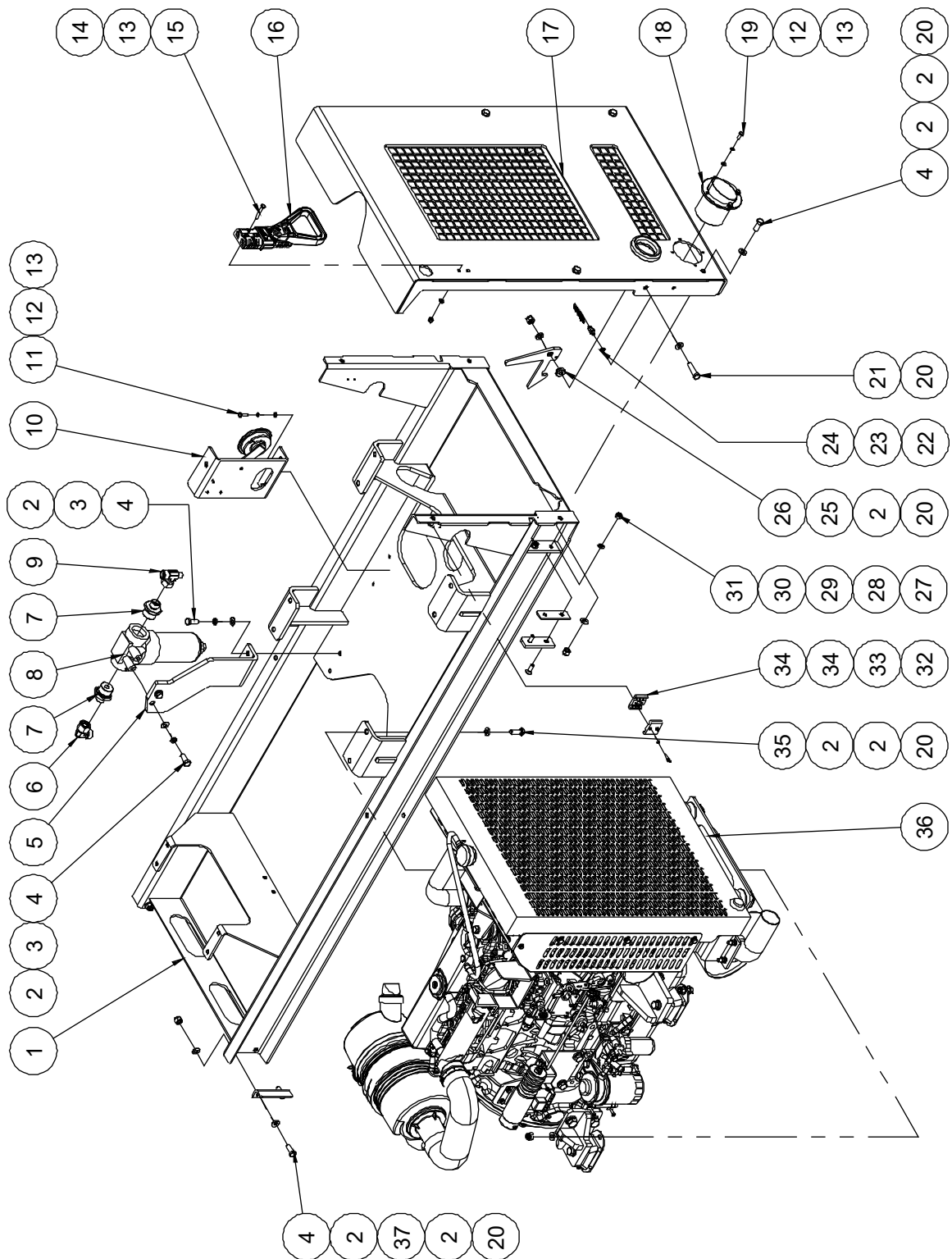
109.1 Engine Tray Assembly (Kubota EU Stage V Engine)

Item	Part No.	Description	Qty.
1	10006299	Engine tray	1
2	00000615	Washer GB/T 97.1 10	38
3	00000679	Washer GB/T 93 10	2
4	00000678	Bolt GB/T 5783 M10×25	2
5	00009885	Tee fitting	1
6	00002069	Straight fitting	2
7	00001870	High pressure line filter	1
--	00004697	Filter element	1
8	00001835	Elbow	1
9	00000875	Bolt GB/T 5783 M8×20	5
10	00000609	Washer GB/T 93 8	11
11	00000608	Washer GB/T 97.1 8	17
12	00002212	Horn	1
13	10006345	Fuel pump	1
14	00000620	Washer GB/T 97.1 6	14
15	00000743	Bolt GB/T 5783 M6×20	6
16	10005613	Clamp	2
17	00000621	Washer GB/T 93 6	4
18	00005465	Engine ECU	1
19	00001061	Screw GB/T 70.1 M8×20	4
20	00003951	Connector (option)	1
21	10009595	Bracket	1
22	00001033	Nut GB/T 6182 M6	6
23	00003176	Bolt GB/T 5782 M6×40	2
24	10006310	Engine grill	1
25	00000623	Nut GB/T 6182 M10	18
26	00000683	Bolt GB/T 5783 M10×30	16
27	00001041	Bolt GB/T 5783 M10×40	2
28	10003669	Spring	2

109.1 Engine Tray Assembly (Kubota EU Stage V Engine)

Item	Part No.	Description	Qty.
29	10003664	Pin	2
30	10003468	Handle	2
31	10003469	Spacer	2
32	10000066	Wire clip (option)	2
33	00000779	Washer GB/T 93 4 (option)	2
34	00002064	Screw GB/T 70.1 M4×20 (option)	2
35	00001163	Nut GB/T 6182 M8	6
36	10003666	Adjusting plate	2
37	10003665	Adjusting plate	2
38	00000839	Screw GB/T 70.3 M8×30	4
39	00000684	Bolt GB/T 5783 M10×35	8
40		Electrical accessory assembly (refer to 110.1)	1
41		Engine system assembly (refer to 111.1, 113.1, 114.1)	1
42	10003470	Baffle plate	2

109.2 Engine Tray Assembly (Kubota EU Stage III B Engine)



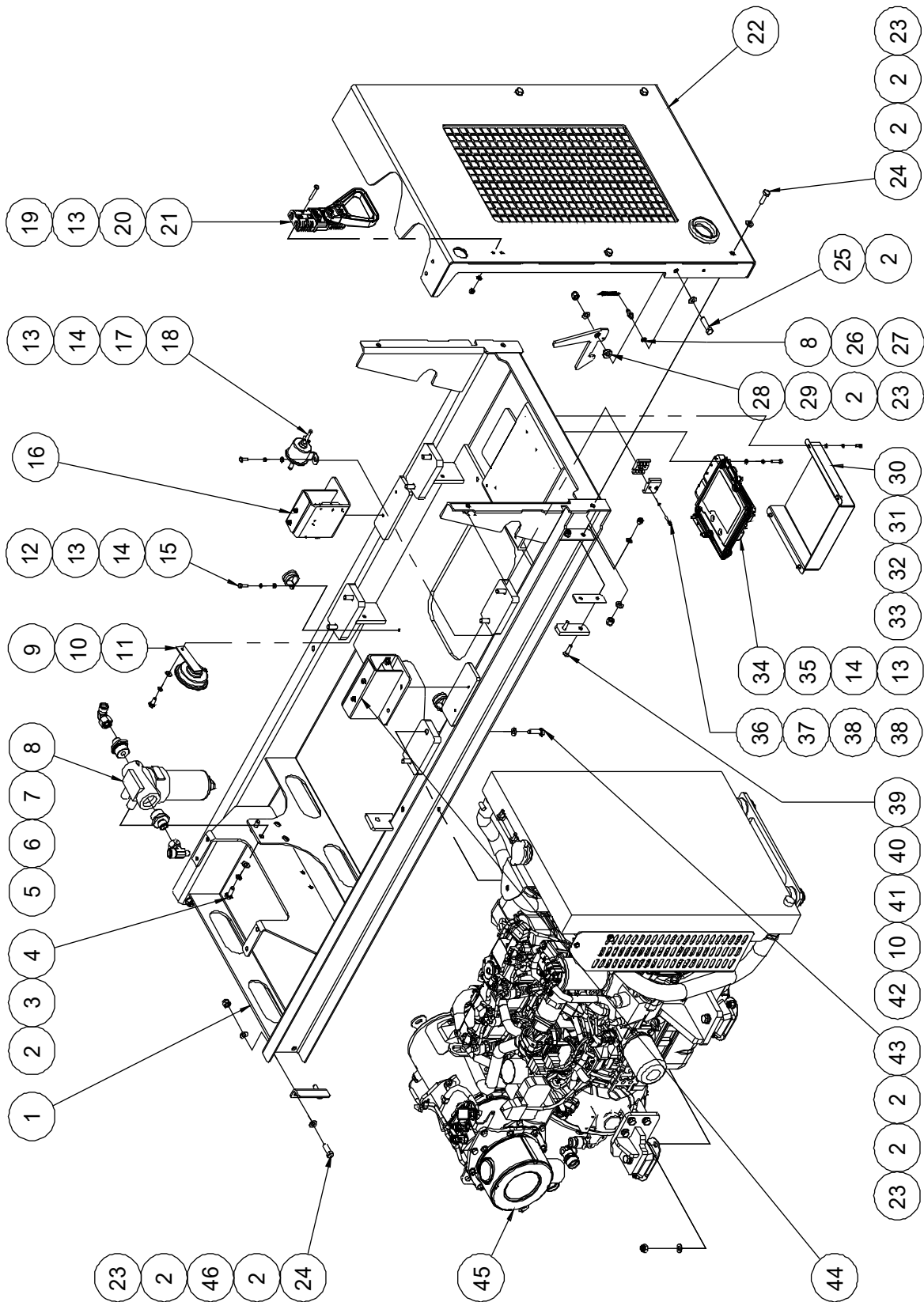
109.2 Engine Tray Assembly (Kubota EU Stage IIIB Engine)

Item	Part No.	Description	Qty.
1	10003848	Engine tray	1
2	00000615	Washer GB/T 97.1 10	34
3	00000679	Washer GB/T 93 10	6
4	00000678	Bolt GB/T 5783 M10×25	10
5	10003873	Filter bracket	1
6	00001835	Elbow	1
7	00002069	Straight fitting	2
8	00001870	High pressure line filter	1
--	00004697	Filter element	1
9	00009885	Tee fitting	1
10		Electrical accessory assembly (refer to 110.2)	1
11	00000743	Bolt GB/T 5783 M6×20	2
12	00000621	Washer GB/T 93 6	6
13	00000620	Washer GB/T 97.1 6	8
14	00001033	Nut GB/T 6182 M6	2
15	00003176	Bolt GB/T 5782 M6×40	2
16	00003951	Connector (option)	1
17	10003861	Engine grill	1
18	10003869	Receiving pipe weldment	1
19	00000818	Bolt GB/T 5783 M6×16	4
20	00000623	Nut GB/T 6182 M10	14
21	00001041	Bolt GB/T 5783 M10×40	2
22	10003669	Spring	2
23	10003664	Pin	2
24	00000609	Washer GB/T 93 8	2
25	10003468	Handle	2
26	10003469	Spacer	2
27	00000838	Screw GB/T 70.3 M8×25	4
28	10003665	Adjusting plate	2

109.2 Engine Tray Assembly (Kubota EU Stage IIIB Engine)

Item	Part No.	Description	Qty.
29	10003666	Adjusting plate	2
30	00000608	Washer GB/T 97.1 8	4
31	00001163	Nut GB/T 6182 M8	4
32	00002064	Screw GB/T 70.1 M4×20 (option)	2
33	00000779	Washer GB/T 93 4 (option)	2
34	10000066	Wire clip (option)	2
35	00000683	Bolt GB/T 5783 M10×30	8
36		Engine system assembly (refer to 111.2, 113.2, 114.2, 114.4)	1
37	10003470	Baffle plate	2

109.3 Engine Tray Assembly (YANMAR EU Stage V Engine)



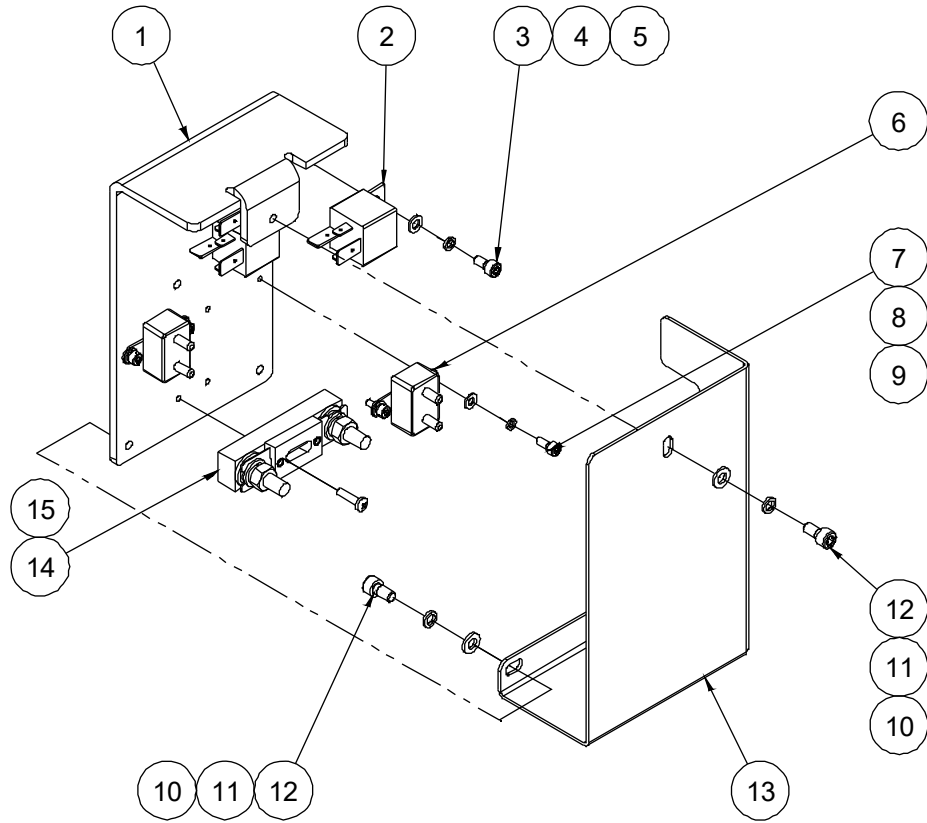
109.3 Engine Tray Assembly (YANMAR EU Stage V Engine)

Item	Part No.	Description	Qty.
1	10021792	Engine tray	1
2	00000615	Washer GB/T 97.1 10	38
3	00000679	Washer GB/T 93 10	2
4	00000678	Bolt GB/T 5783 M10×25	2
5	00009885	Tee fitting	1
6	00001835	Elbow	1
7	00002069	Straight fitting	2
8	00001870	High pressure line filter	1
--	00004697	Filter element	1
9	00000609	Washer GB/T 93 8	3
10	00000608	Washer GB/T 97.1 8	6
11	00002212	Horn	1
12	10005613	Clamp	2
13	00000620	Washer GB/T 97.1 6	10
14	00000621	Washer GB/T 93 6	8
15	00000743	Bolt GB/T 5783 M6×20	2
16		Electrical accessory assembly (refer to 110.3)	1
17	00000818	Bolt GB/T 5783 M6×16	2
18	00009588	Fuel pump	1
19	00001033	Nut GB/T 6182 M6	2
20	00003176	Bolt GB/T 5782 M6×40	2
21	00003951	Connector (option)	1
22	10006310	Engine grill	1
23	00000623	Nut GB/T 6182 M10	18
24	00000683	Bolt GB/T 5783 M10×30	16
25	00001041	Bolt GB/T 5783 M10×40	2
26	10003664	Pin	2
27	10003669	Spring	2
28	10003469	Spacer	2

109.3 Engine Tray Assembly (YANMAR EU Stage V Engine)

Item	Part No.	Description	Qty.
29	10003468	Handle	2
30	10022899	Cover	1
31	00001252	Screw GB/T 70.1 M5×12	4
32	00000606	Washer GB/T 93 5	7
33	00000605	Washer GB/T 97.1 5	7
34	00009628	Engine ECU	1
35	00001034	Screw GB/T 70.1 M6×25	4
36	00002064	Screw GB/T 70.1 M4×20	2
37	00000779	Washer GB/T 93 4	6
38	10000066	Wire clip (option)	2
39	00000839	Screw GB/T 70.3 M8×30	4
40	10003665	Adjusting plate	2
41	10003666	Adjusting plate	2
42	00001163	Nut GB/T 6182 M8	4
43	00000684	Bolt GB/T 5783 M10×35	8
44		Electrical accessory assembly (refer to 110.4)	1
45		Engine system assembly (refer to 111.3, 113.3, 114.3)	1
46	10003470	Baffle plate	2

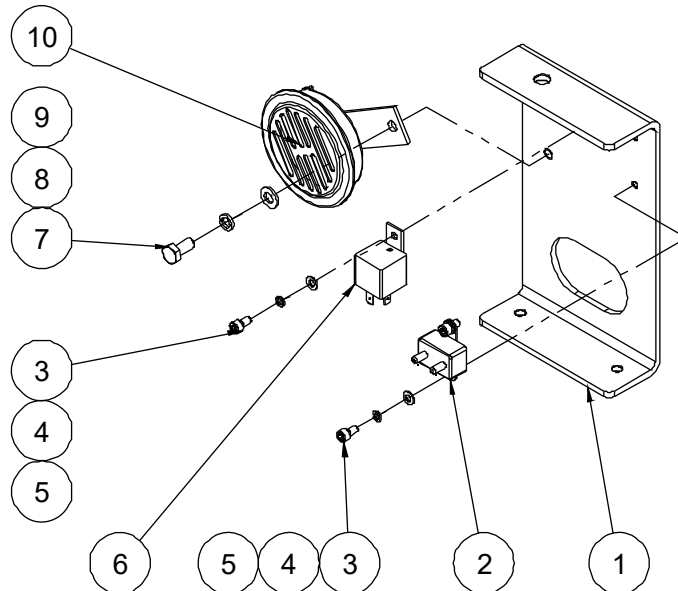
110.1 Electrical Accessory Assembly (Kubota EU Stage V Engine)



110.1 Electrical Accessory Assembly (Kubota EU Stage V Engine)

Item	Part No.	Description	Qty.
1	10009599	Mounting plate	1
2	00006422	Relay	3
3	00001030	Screw GB/T 70.1 M5×10	3
4	00000606	Washer GB/T 93 5	3
5	00000605	Washer GB/T 97.1 5	3
6	00002410	Circuit breaker	2
7	00002002	Screw GB/T 70.1 M4×10	4
8	00000779	Washer GB/T 93 4	4
9	00000778	Washer GB/T 97.1 4	4
10	00000620	Washer GB/T 97.1 6	3
11	00000621	Washer GB/T 93 6	3
12	00002029	Screw GB/T 70.1 M6×12	3
13	10009651	Cover	1
14	00007333	80A Fuse assembly	1
--	00007334	80A Fuse	1
--	00000757	Fuse seat	1
15	00001232	Screw GB/T 818 M4×16 - H	2

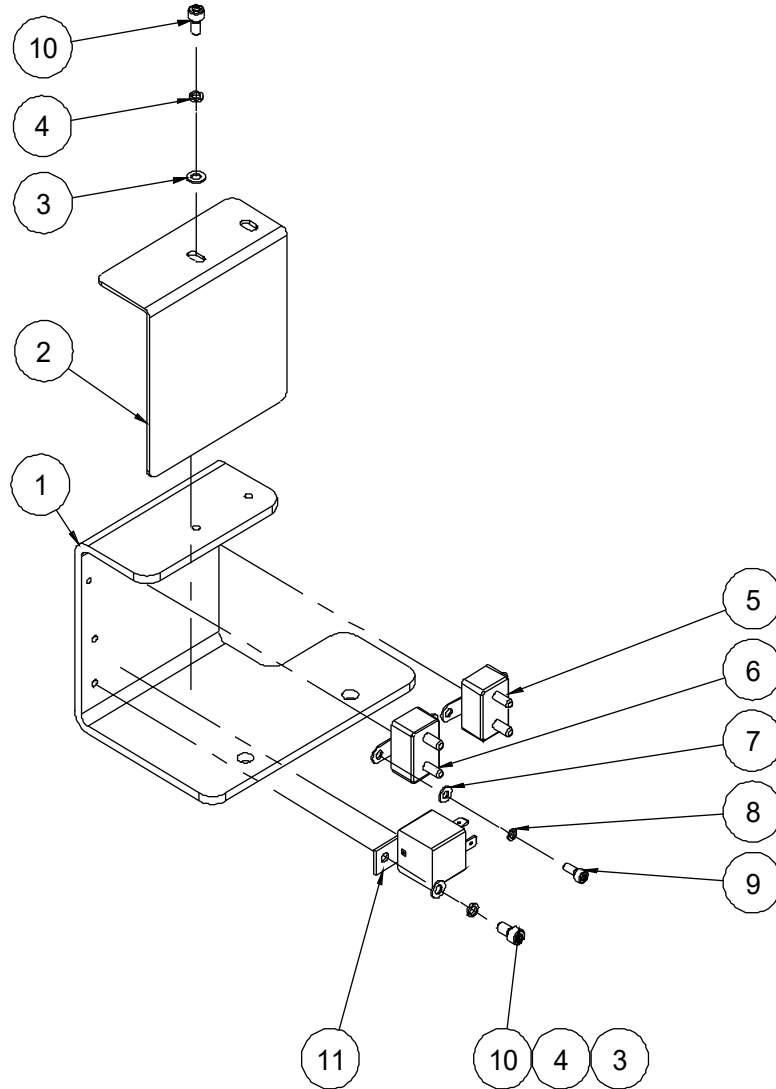
110.2 Electrical Accessory Assembly (Kubota EU Stage IIIB Engine)



110.2 Electrical Accessory Assembly (Kubota EU Stage IIIB Engine)

Item	Part No.	Description	Qty.
1	10003868	Mounting plate	1
2	00002410	Circuit breaker	1
3	00001030	Screw GB/T 70.1 M5×10	3
4	00000606	Washer GB/T 93 5	3
5	00000605	Washer GB/T 97.1 5	3
6	00002206	Relay	1
7	00001063	Bolt GB/T 5783 M8×16	1
8	00000609	Washer GB/T 93 8	1
9	00000608	Washer GB/T 97.1 8	1
10	00002212	Horn	1

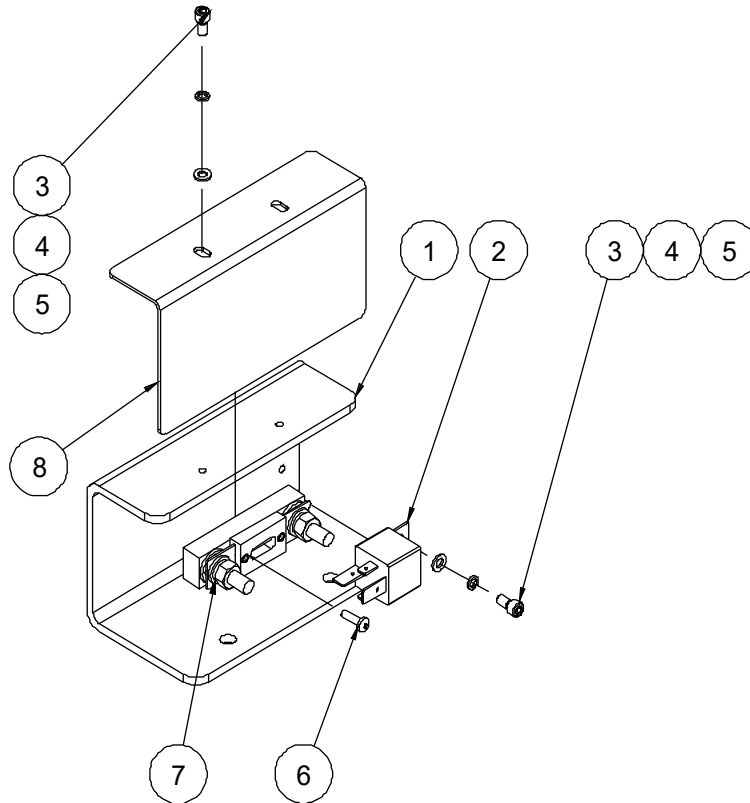
110.3 Electrical Accessory Assembly (YANMAR EU Stage V Engine)



110.3 Electrical Accessory Assembly (YANMAR EU Stage V Engine)

Item	Part No.	Description	Qty.
1	10023568	Mounting plate	1
2	10023991	Shield	1
3	00000605	Washer GB/T 97.1 5	2
4	00000606	Washer GB/T 93 5	2
5	00009889	Circuit	1
6	00007431	Circuit	1
7	00000778	Washer GB/T 97.1 4	1
8	00000779	Washer GB/T 93 4	1
9	00002002	Screw GB/T 70.1 M4×10	1
10	00001030	Screw GB/T 70.1 M5×10	2
11	00002206	Relay	1

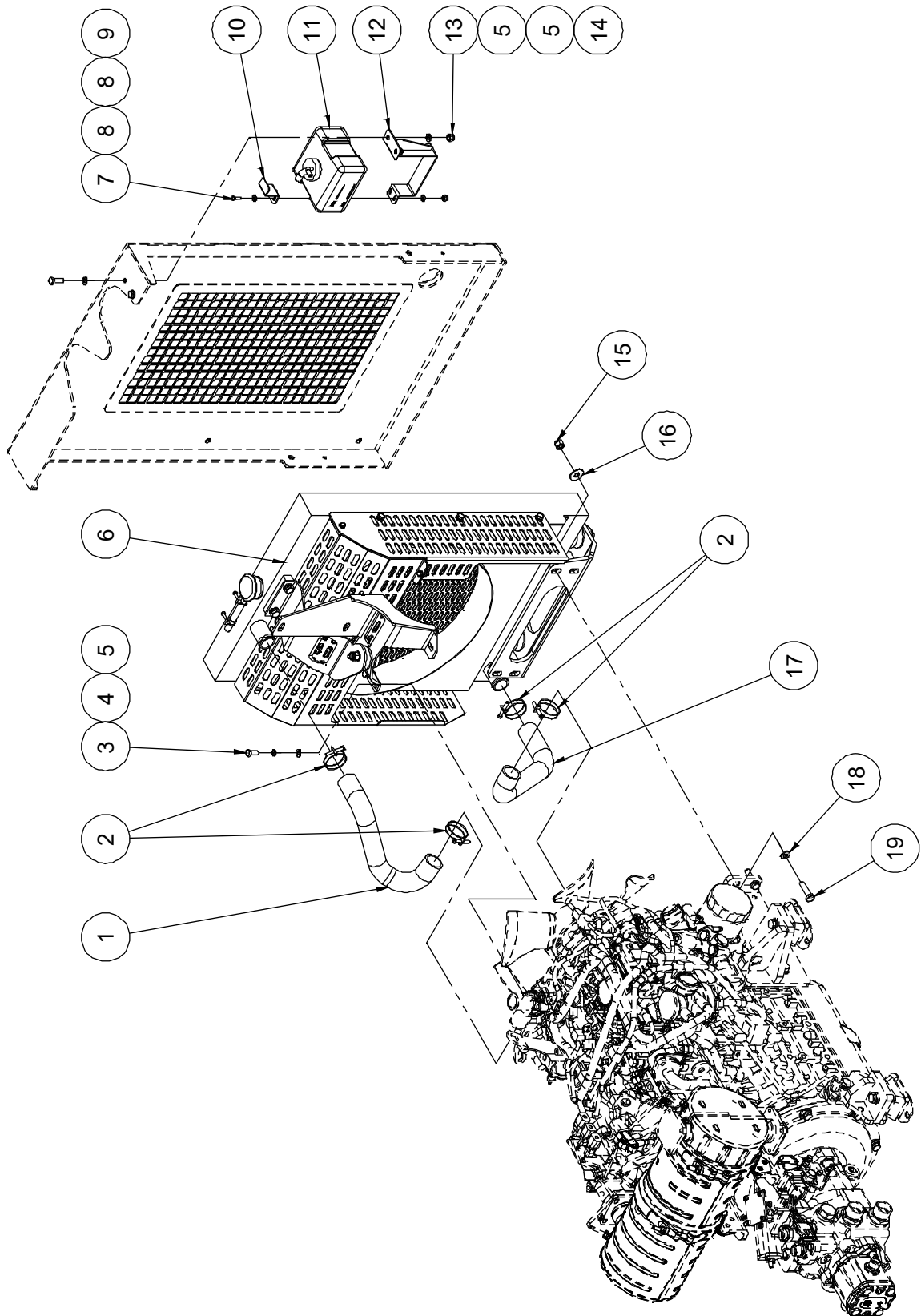
110.4 Electrical Accessory Assembly (YANMAR EU Stage V Engine)



110.4 Electrical Accessory Assembly (YANMAR EU Stage V Engine)

Item	Part No.	Description	Qty.
1	10023566	Mounting plate	1
2	00006422	Relay	1
3	00001030	Screw GB/T 70.1 M5×10	2
4	00000606	Washer GB/T 93 5	2
5	00000605	Washer GB/T 97.1 5	2
6	00002027	Screw GB/T 818 M4×14 - H	2
7	00007333	80A Fuse assembly	1
--	00007334	80A Fuse	1
--	00000757	Fuse seat	1
8	10023992	Shield	1

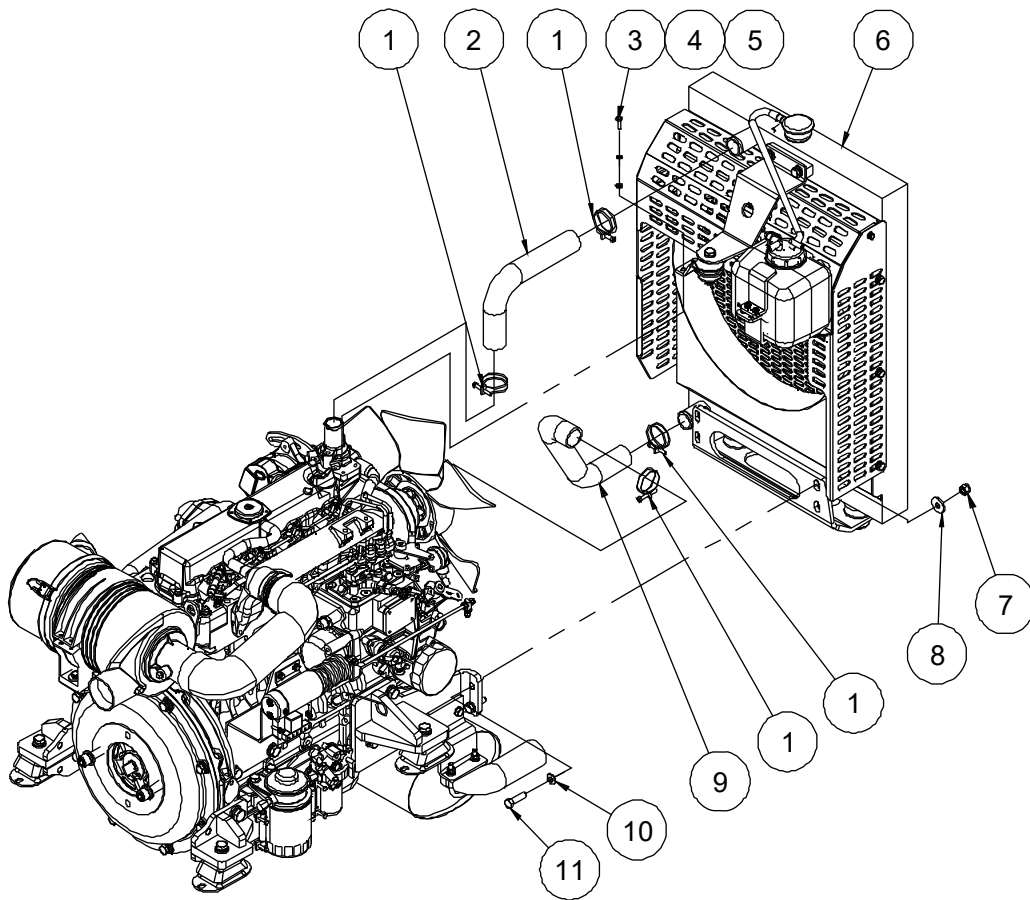
111.1 Cooling System Installation (Kubota EU Stage V Engine)



111.1 Cooling System Installation (Kubota EU Stage V Engine)

Item	Part No.	Description	Qty.
1	10006358	Hose	1
2	50001582	Clamp	4
3	00000875	Bolt GB/T 5783 M8×20	2
4	00000609	Washer GB/T 93 8	2
5	00000608	Washer GB/T 97.1 8	2
6		Cooling system assembly (refer to 112.1)	1
7	00003949	Bolt GB/T 5783 M5×16	2
8	00000620	Washer GB/T 97.1 6	8
9	00001033	Nut GB/T 6182 M6	4
10	10010349	Bottle fixing plate	1
11	10010350	Coolant recovery bottle	1
12	10010346	Bottle bracket	1
13	00001163	Nut GB/T 6182 M8	2
14	00000993	Bolt GB/T 5783 M8×25	2
15	00000623	Nut GB/T 6182 M10	4
16	00001028	Washer GB/T 96.1 10	4
17	00002257	Hose	1
18	00000615	Washer GB/T 97.1 10	4
19	00001041	Bolt GB/T 5783 M10×40	4

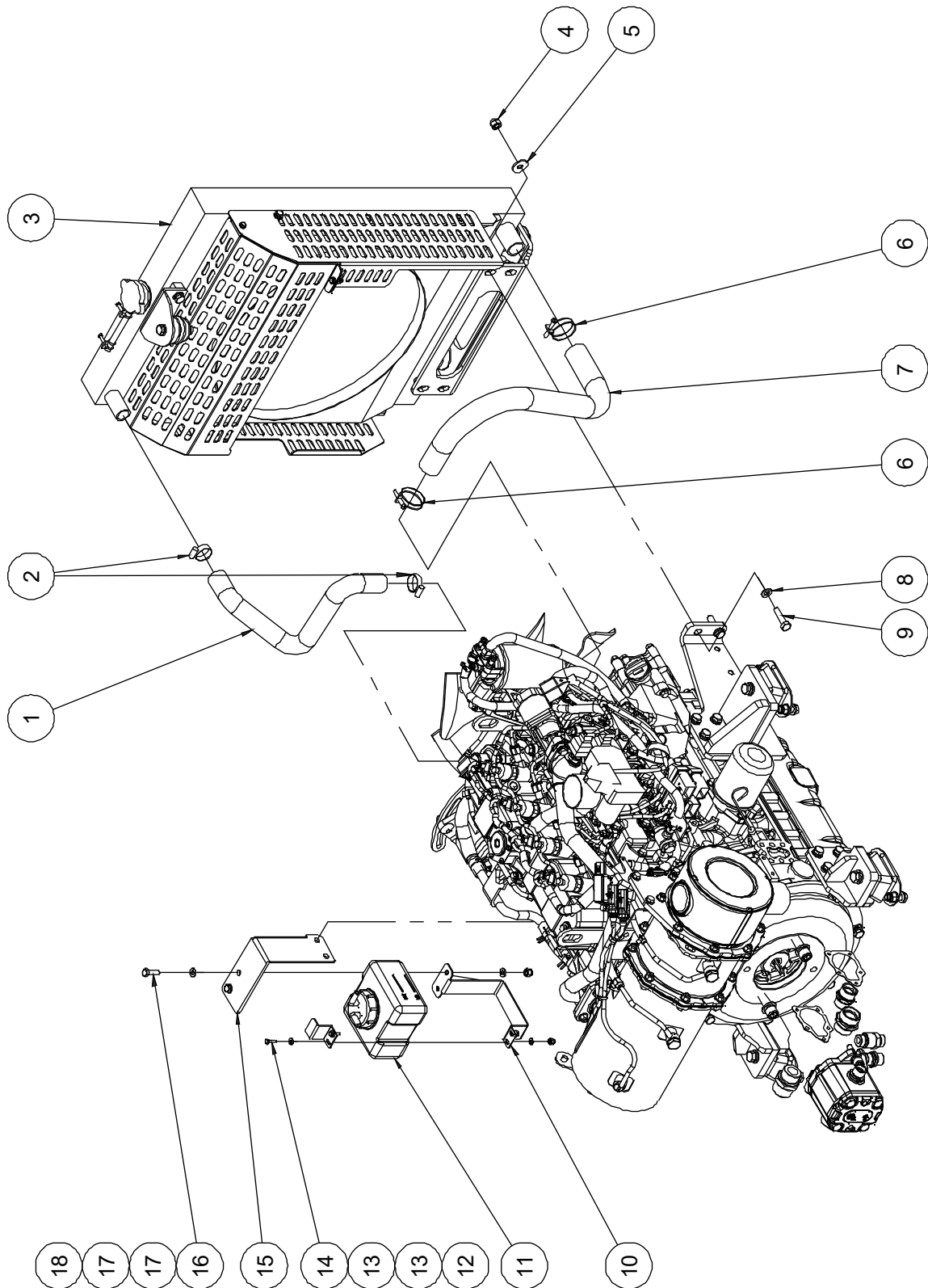
111.2 Cooling System Installation (Kubota EU Stage III B Engine)



111.2 Cooling System Installation (Kubota EU Stage III B Engine)

Item	Part No.	Description	Qty.
1	50001582	Clamp	4
2	00002256	Hose	1
3	00000743	Bolt GB/T 5783 M6×20	4
4	00000621	Washer GB/T 93 6	3
5	00000620	Washer GB/T 97.1 6	5
6		Cooling system assembly (refer to 112.2)	1
7	00000623	Nut GB/T 6182 M10	5
8	00001028	Washer GB/T 96.1 10	4
9	00002257	Hose	1
10	00000615	Washer GB/T 97.1 10	10
11	00000684	Bolt GB/T 5783 M10×35	4

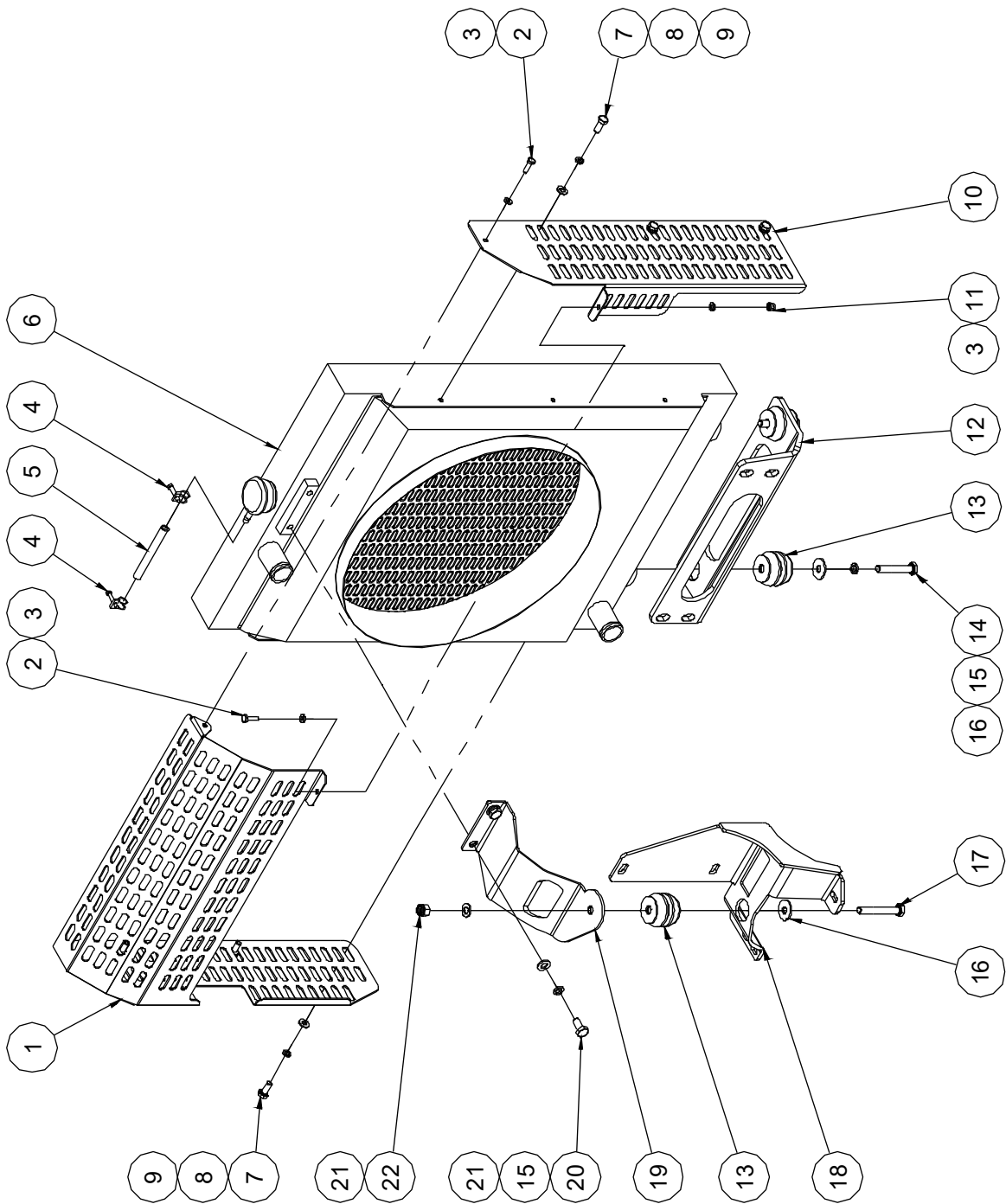
111.3 Cooling System Installation (YANMAR EU Stage V Engine)



111.3 Cooling System Installation (YANMAR EU Stage V Engine)

Item	Part No.	Description	Qty.
1	10021789	Hose	1
2	90005077	Clamp	4
3		Cooling system assembly (refer to 112.3)	1
4	00000623	Nut GB/T 6182 M10	4
5	00001028	Washer GB/T 96.1 10	4
6	50001582	Clamp 37-42	2
7	10021788	Hose	1
8	00000615	Washer GB/T 97.1 10	4
9	00001041	Bolt GB/T 5783 M10×40	4
10	10010346	Bottle bracket	1
11	10010350	Coolant recovery bottle	1
12	00001033	Nut GB/T 6182 M6	3
13	00000620	Washer GB/T 97.1 6	7
14	00003949	Bolt GB/T 5783 M5×16	2
15	10021686	bracket	1
16	00000993	Bolt GB/T 5783 M8×25	2
17	00000608	Washer GB/T 97.1 8	2
18	00001163	Nut GB/T 6182 M8	2

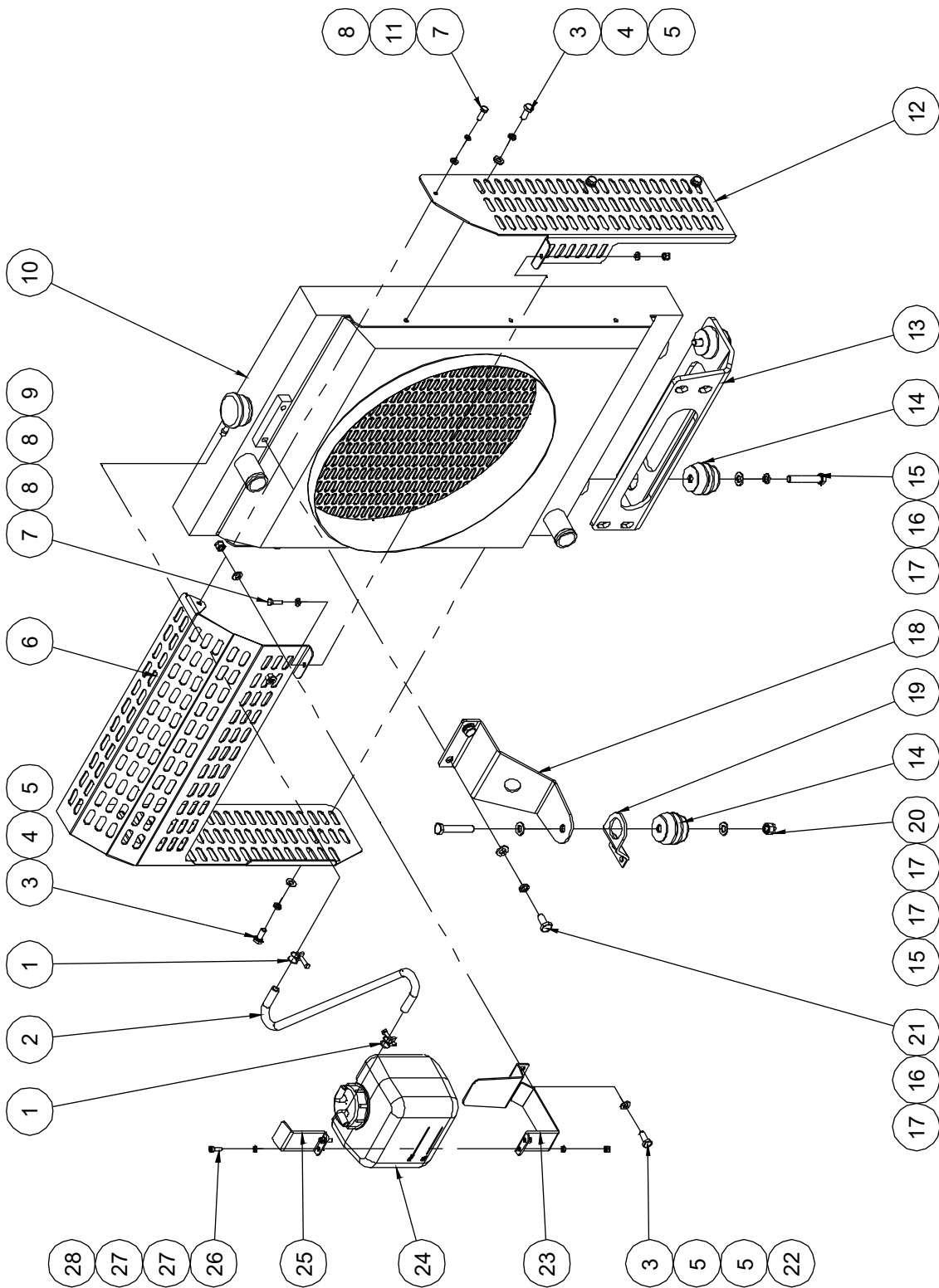
112.1 Cooling System Assembly (Kubota EU Stage V Engine)



112.1 Cooling System Assembly (Kubota EU Stage V Engine)

Item	Part No.	Description	Qty.
1	10015989	Cover	1
2	00000743	Bolt GB/T 5783 M6×20	2
3	00000620	Washer GB/T 97.1 6	3
4	50001592	Clamp	2
5	10010319	Hose	1
6	10003934	Radiator	1
7	00000875	Bolt GB/T 5783 M8×20	6
8	00000609	Washer GB/T 93 8	6
9	00000608	Washer GB/T 97.1 8	6
10	50001531	Cover	1
11	00001033	Nut GB/T 6182 M6	1
12	10001984	Radiator bracket	1
13	00002251	Bumper	3
14	00001984	Bolt GB/T 5782 M10×60	2
15	00000679	Washer GB/T 93 10	4
16	00001028	Washer GB/T 96.1 10	3
17	00002512	Bolt GB/T 5782 M10×70	1
18	10010317	Air cleaner bracket	1
19	10010318	Radiator bracket	1
20	00000674	Bolt GB/T 5783 M10×20	2
21	00000615	Washer GB/T 97.1 10	3
22	00000623	Nut GB/T 6182 M10	1

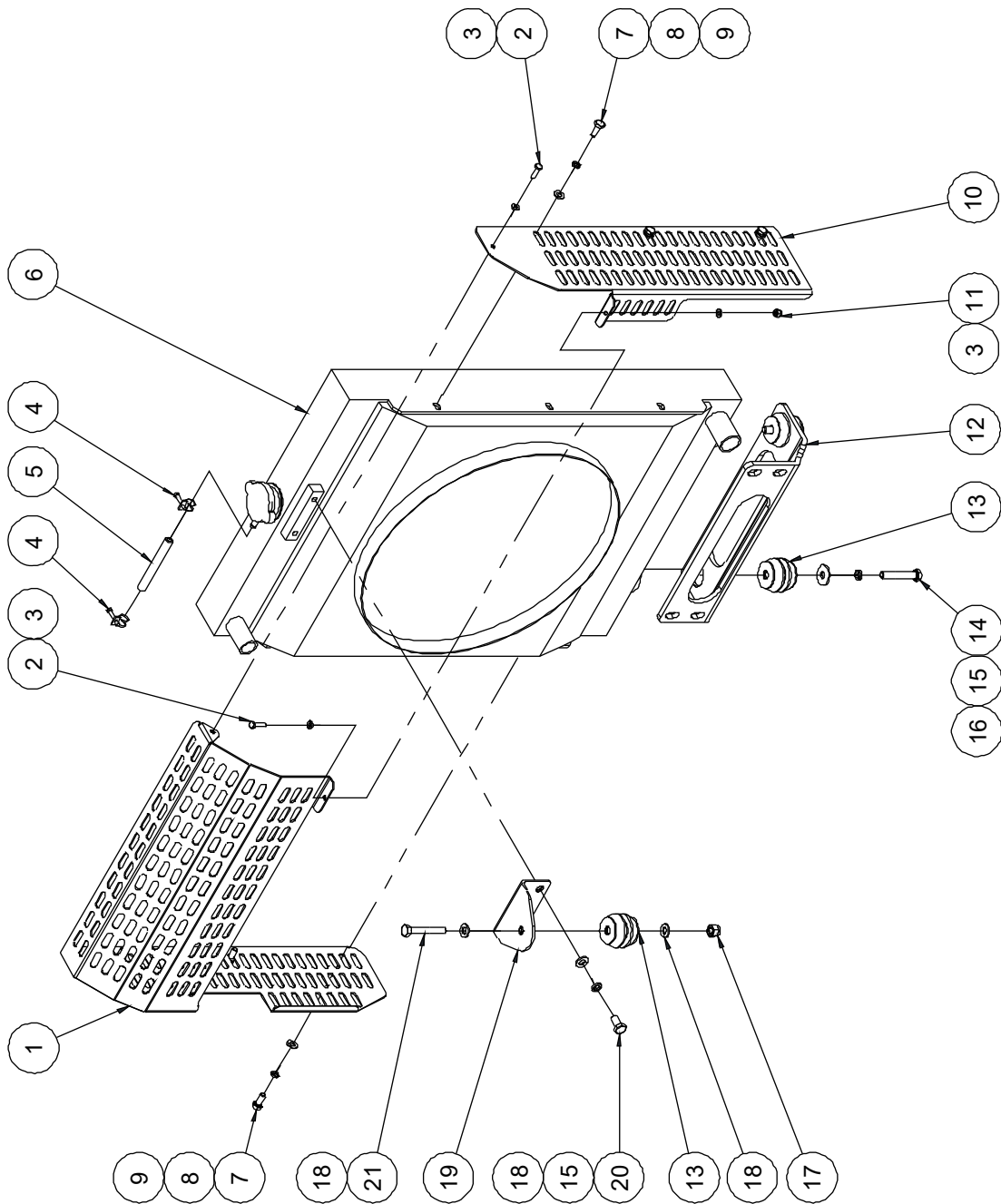
112.2 Cooling System Assembly (Kubota EU Stage III B Engine)



112.2 Cooling System Assembly (Kubota EU Stage IIIB Engine)

Item	Part No.	Description	Qty.
1	50001592	Clamp	2
2	10003703	Hose	1
3	00000875	Bolt GB/T 5783 M8×20	8
4	00000609	Washer GB/T 93 8	6
5	00000608	Washer GB/T 97.1 8	10
6	50001532	Cover	1
7	00000743	Bolt GB/T 5783 M6×20	2
8	00000620	Washer GB/T 97.1 6	3
9	00001033	Nut GB/T 6182 M6	1
10	10003934	Radiator	1
11	00000621	Washer GB/T 93 6	1
12	50001531	Cover	1
13	10001984	Radiator bracket	1
14	00002251	Bumper	3
15	00001984	Bolt GB/T 5782 M10×60	3
16	00000679	Washer GB/T 93 10	4
17	00000615	Washer GB/T 97.1 10	6
18	10003706	Radiator bracket	1
19	50001566	Support	1
20	00000623	Nut GB/T 6182 M10	1
21	00000674	Bolt GB/T 5783 M10×20	2
22	00001163	Nut GB/T 6182 M8	2
23	10001218	Bottle bracket	1
24	10015262	Coolant recovery bottle	1
25	10001220	Bottle fixing plate	1
26	00001246	Screw GB/T 70.1 M5×16	2
27	00000605	Washer GB/T 97.1 5	4
28	00000613	Nut GB/T 6182 M5	2

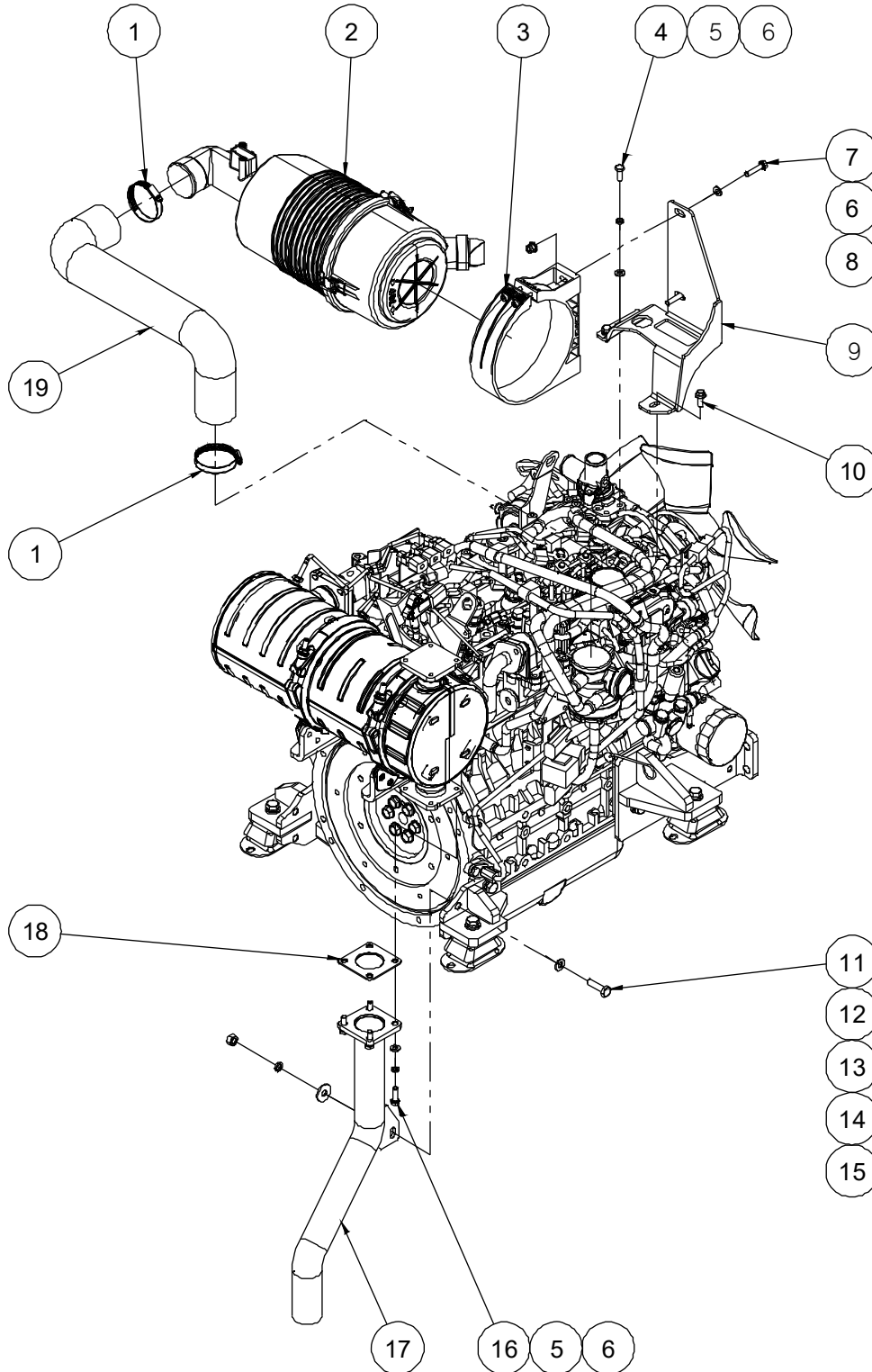
112.3 Cooling System Assembly (YANMAR EU Stage V Engine)



112.3 Cooling System Assembly (YANMAR EU Stage V Engine)

Item	Part No.	Description	Qty.
1	10015989	Cover	1
2	00000743	Bolt GB/T 5783 M6×20	2
3	00000620	Washer GB/T 97.1 6	3
4	50001592	Clamp	2
5	10010319	Hose	1
6	00009611	Radiator	1
7	00000875	Bolt GB/T 5783 M8×20	6
8	00000609	Washer GB/T 93 8	6
9	00000608	Washer GB/T 97.1 8	6
10	50001531	Cover	1
11	00001033	Nut GB/T 6182 M6	1
12	10021796	Radiator bracket	1
13	00002251	Bumper	3
14	00001984	Bolt GB/T 5782 M10×60	2
15	00000679	Washer GB/T 93 10	4
16	00001028	Washer GB/T 96.1 10	2
17	00000623	Nut GB/T 6182 M10	1
18	00000615	Washer GB/T 97.1 10	4
19	10021787	Radiator bracket	1
20	00000674	Bolt GB/T 5783 M10×20	2
21	00005257	Bolt GB/T 5782 M10×65	1

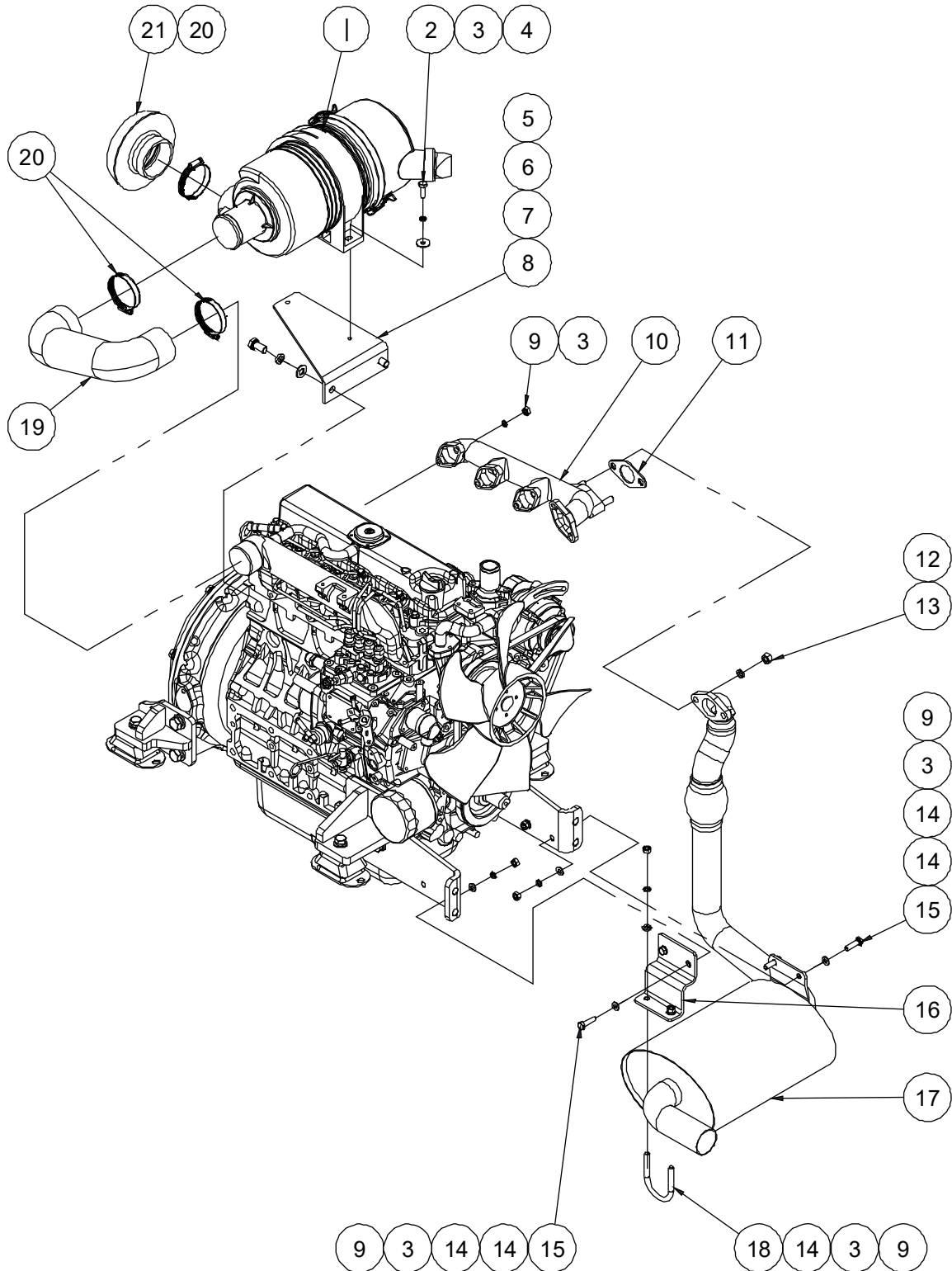
113.1 Intake System and Exhaust System (Kubota EU Stage V Engine)



113.1 Intake System and Exhaust System (Kubota EU Stage V Engine)

Item	Part No.	Description	Qty.
1	50001583	Clamp	2
2	10006583	Air cleaner	1
--	10010329	Filter element (Outer)	1
--	10023035	Filter element (Inner)	1
3	10005778	Clamp	1
4	00000875	Bolt GB/T 5783 M8×20	2
5	00000609	Washer GB/T 93 8	6
6	00000608	Washer GB/T 97.1 8	8
7	00002488	Bolt GB/T 5783 M8×35	2
8	00002575	Nut GB/T 6183.1 M8	2
9	10010317	Air cleaner bracket	1
10	00002875	Bolt QC/T 340 M8×20	1
11	00000684	Bolt GB/T 5783 M10×35	1
12	00000615	Washer GB/T 97.1 10	1
13	00001028	Washer GB/T 96.1 10	1
14	00000679	Washer GB/T 93 10	1
15	00001999	Nut GB/T 6170 M10	1
16	00000993	Bolt GB/T 5783 M8×25	4
17	10006333	Exhaust pipe weldment	1
18	10006331	Washer	1
19	10006353	Hose	1

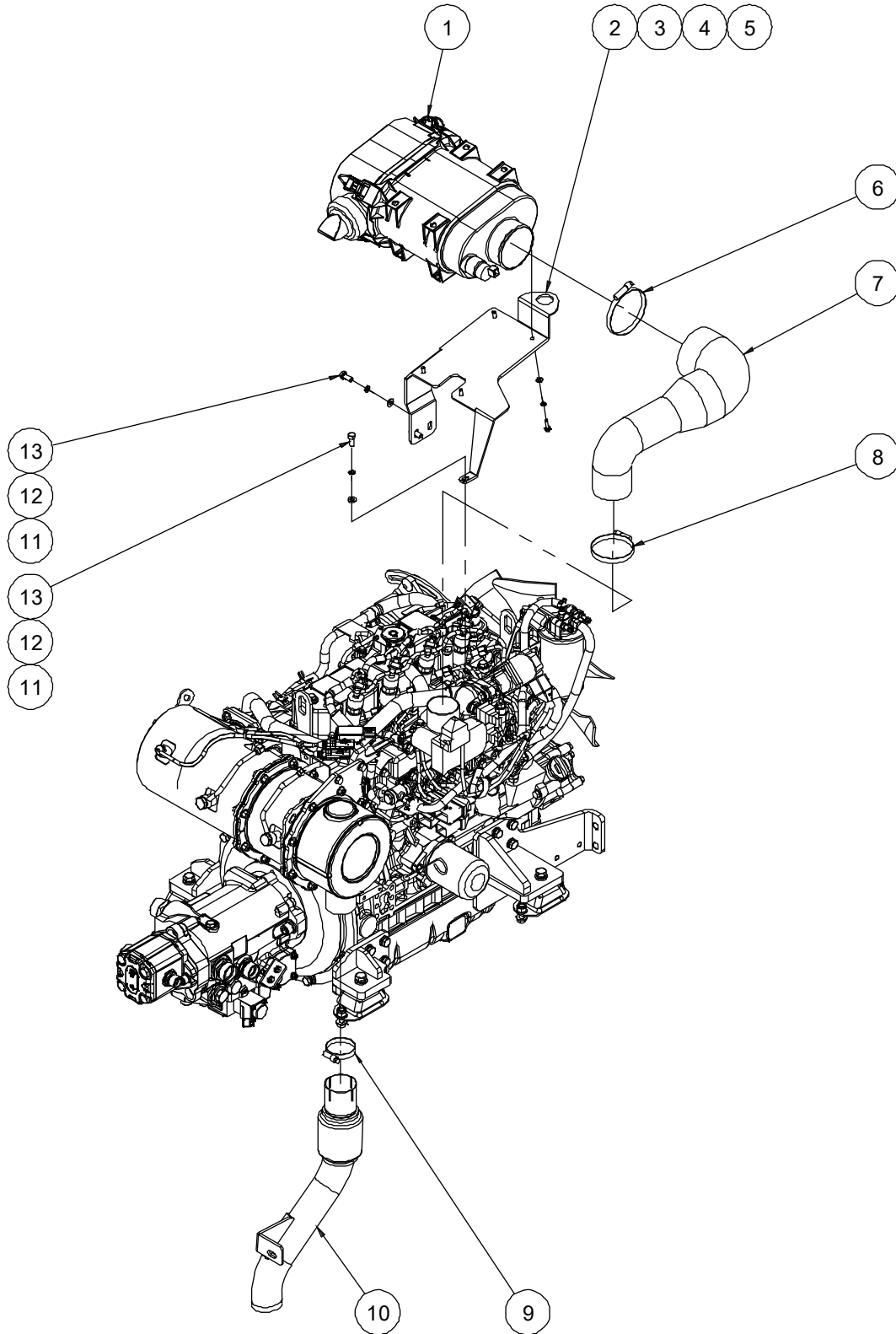
113.2 Intake System and Exhaust System (Kubota EU Stage III B Engine)



113.2 Intake System and Exhaust System (Kubota EU Stage IIIB Engine)

Item	Part No.	Description	Qty.
1	10003952	Air cleaner	1
--	10001393	Filter element (inner)	1
--	10004082	Filter element (outer)	1
2	00000993	Bolt GB/T 5783 M8×25	2
3	00000609	Washer GB/T 93 8	10
4	00002000	Washer GB/T 96.1 8	2
5	00000814	Washer GB/T 97.1 12	2
6	00000815	Washer GB/T 93 12	2
7	00000816	Bolt GB/T 5783 M12×25	2
8	50001565	Air cleaner bracket	1
9	00000610	Nut GB/T 6170 M8	6
10	10003938	Exhaust pipe weldment	1
11	10003710	Washer	1
12	00000679	Washer GB/T 93 10	2
13	00001999	Nut GB/T 6170 M10	2
14	00000608	Washer GB/T 97.1 8	10
15	00000995	Bolt GB/T 5783 M8×30	4
16	10003707	Exhaust pipe bracket	1
17	10003969	Muffler weldment	1
18	10003970	Clamp	1
19	00002259	Hose	1
20	50001583	Clamp	3
21	10002733	Air cleaner cap	1

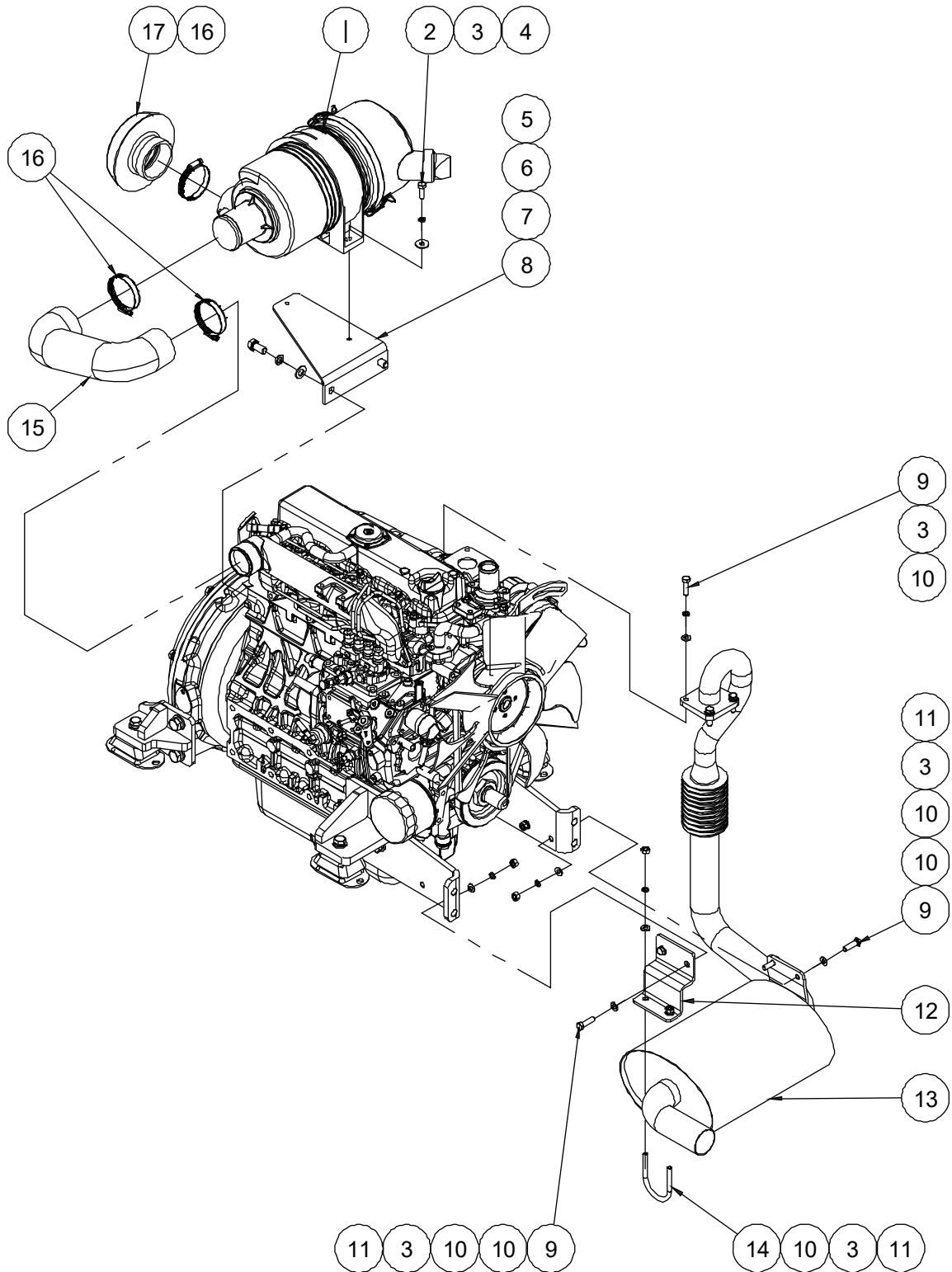
113.3 Intake System and Exhaust System (YANMAR EU Stage V Engine)



113.3 Intake System and Exhaust System (YANMAR EU Stage V Engine)

Item	Part No.	Description	Qty.
1	10018353	Air cleaner	1
--	00006809	Air Filter Sensor	1
--	90031459	Safety Cartridge	1
--	90031461	Filter Cartridge	1
--	50000112	Nut QC/T 885 M6	4
2	10021799	Air cleaner bracket	1
3	00000743	Bolt GB/T 5783 M6×20	4
4	00000621	Washer GB/T 93 6	4
5	00000620	Washer GB/T 97.1 6	4
6	90007001	Clamp	1
7	10021835	Hose	1
8	90015693	Clamp	1
9	90007999	Clamp	1
10	10019070	Exhaust pipe weldment	1
11	00000608	Washer GB/T 97.1 8	3
12	00000609	Washer GB/T 93 8	3
13	00000875	Bolt GB/T 5783 M8×20	3

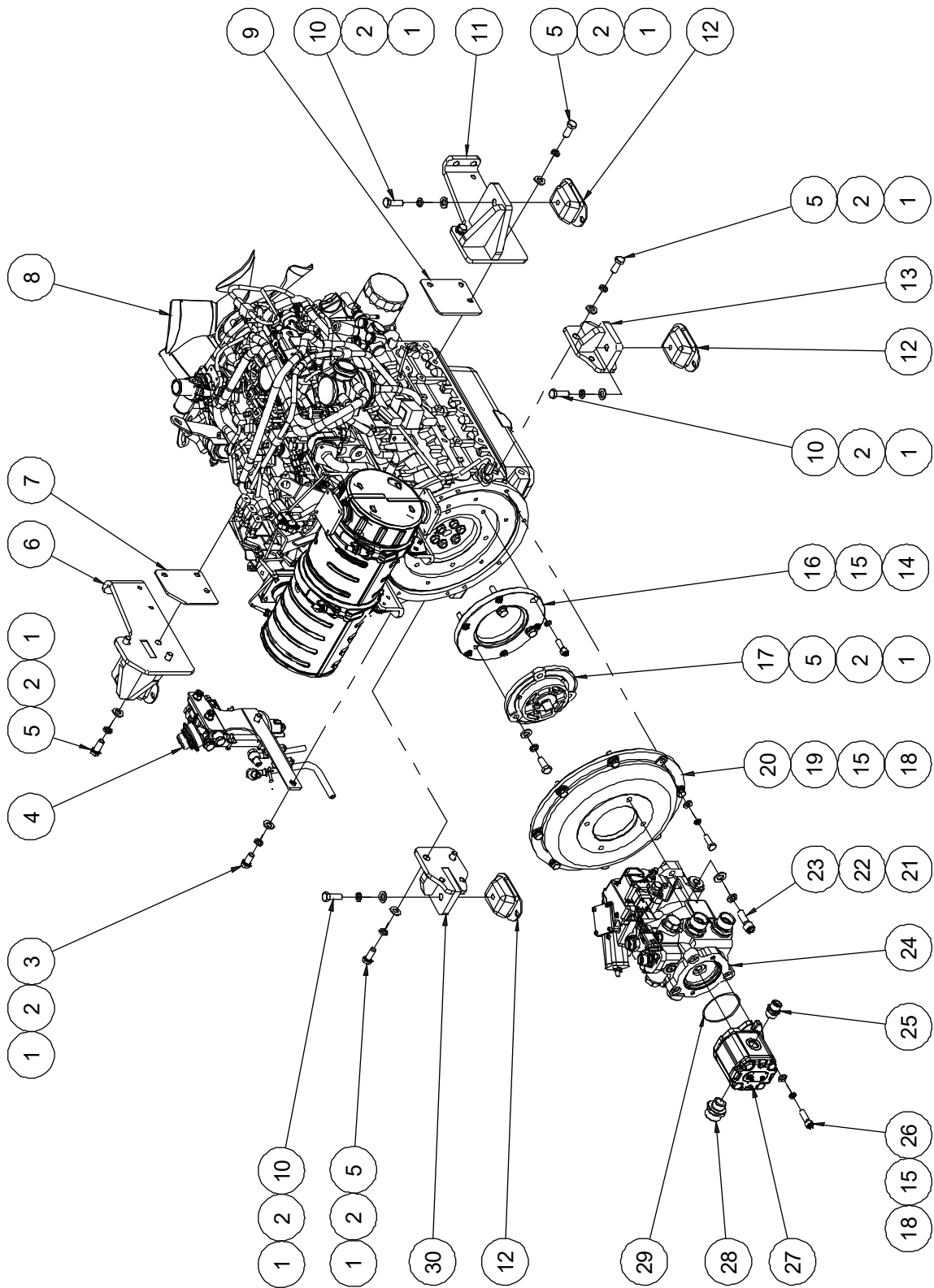
113.4 Intake System and Exhaust System (Kubota EU Stage III B-THA Engine)



113.4 Intake System and Exhaust System (Kubota EU Stage III B-THA Engine)

Item	Part No.	Description	Qty.
1	10003952	Air cleaner	1
--	10001393	Filter element (inner)	1
--	10004082	Filter element (outer)	1
2	00000993	Bolt GB/T 5783 M8×25	2
3	00000609	Washer GB/T 93 8	10
4	00002000	Washer GB/T 96.1 8	2
5	00000814	Washer GB/T 97.1 12	2
6	00000815	Washer GB/T 93 12	2
7	00000816	Bolt GB/T 5783 M12×25	2
8	50001565	Air cleaner bracket	1
9	00000995	Bolt GB/T 5783 M8×30	8
10	00000608	Washer GB/T 97.1 8	16
11	00000610	Nut GB/T 6170 M8	6
12	10003707	Exhaust pipe bracket	1
13	10021944	Muffler weldment	1
14	10003970	Clamp	1
15	00002259	Hose	1
16	50001583	Clamp	3
17	10002733	Air cleaner cap	1

114.1 Engine Assembly (Kubota EU Stage V Engine)



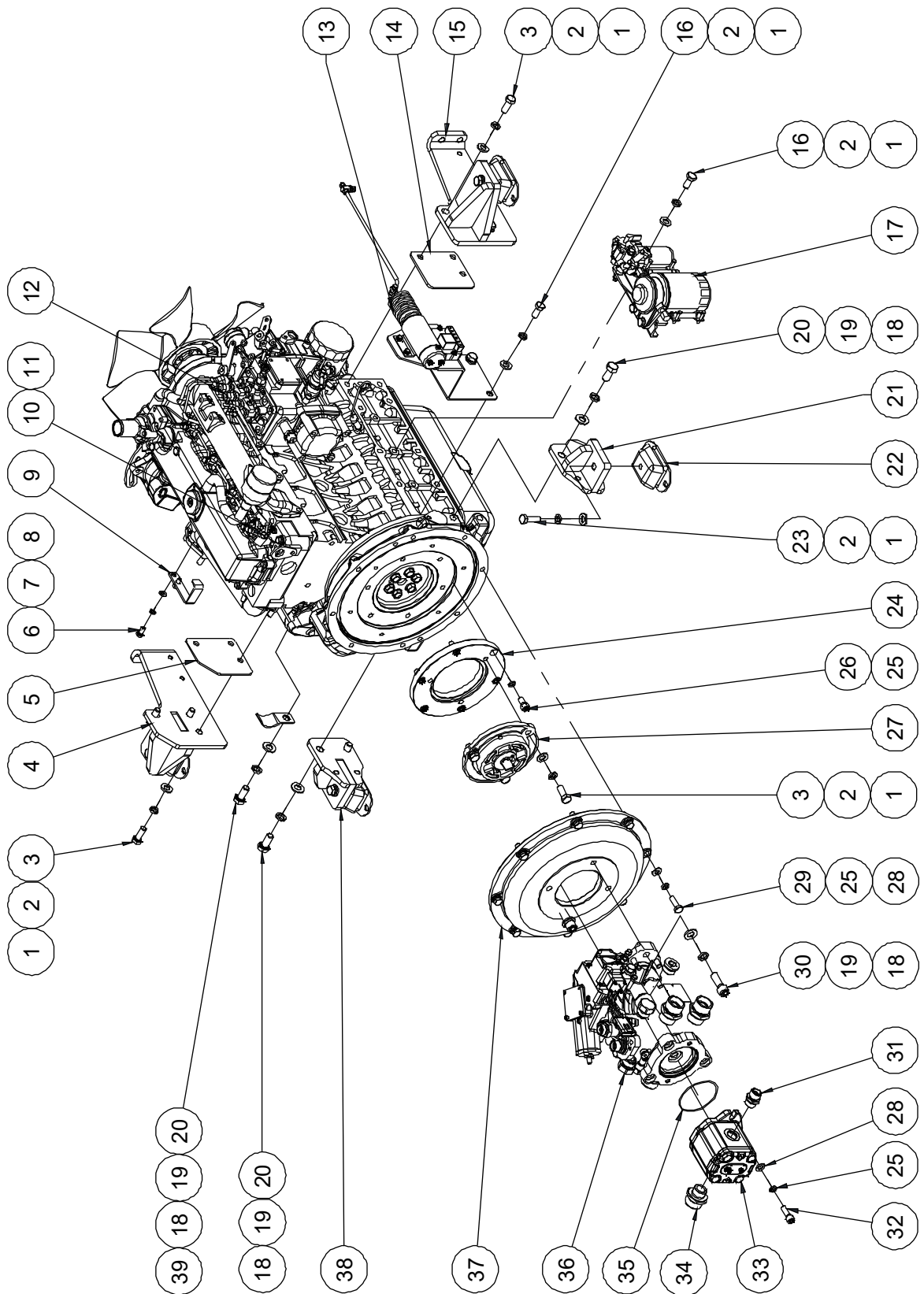
114.1 Engine Assembly (Kubota EU Stage V Engine)

Item	Part No.	Description	Qty.
1	00000814	Washer GB/T 97.1 12	19
2	00000815	Washer GB/T 93 12	19
3	00000816	Bolt GB/T 5783 M12×25	2
4		Fuel filter assembly (refer to 115.1)	1
5	00002059	Bolt GB/T 5783 M12×30	13
6	10001973	Engine bracket	1
7	10021943	Shim plate	1
8	10006314	Engine	1
--	10006328	Starter motor	1
--	10006329	Alternator	1
--	10003947	Filter element, oil filter	1
--	10023036	Fan belt	1
9	10016813	Shim plate	1
10	00002046	Bolt GB/T 5783 M12×35	4
11	10001974	Engine bracket	1
12	00002162	Absorber	4
13	10001978	Engine bracket	1
14	00001059	Screw GB/T 70.1 M10×30	6
15	00000679	Washer GB/T 93 10	16
16	50001561	Linker	1
17	00002158	Flexible coupling	1
18	00000615	Washer GB/T 97.1 10	10
19	00000683	Bolt GB/T 5783 M10×30	8
20	50001575	Adapter	1
21	00001043	Washer GB/T 97.1 14	2
22	00001258	Washer GB/T 93 14	2
23	00003193	Screw GB/T 70.1 M14×40	2
24		Drive pump assembly (refer to 116.1)	1
25	00001776	Straight fitting	1

114.1 Engine Assembly (Kubota EU Stage V Engine)

Item	Part No.	Description	Qty.
26	00002238	Screw GB/T 70.1 M10×35	2
27	00003102	Gear pump	1
28	00001782	Straight fitting	1
29	00001536	O-ring As568A 82.22×2.62	1
30	10001982	Engine bracket	1

114.2 Engine Assembly (Kubota EU Stage III B Engine)



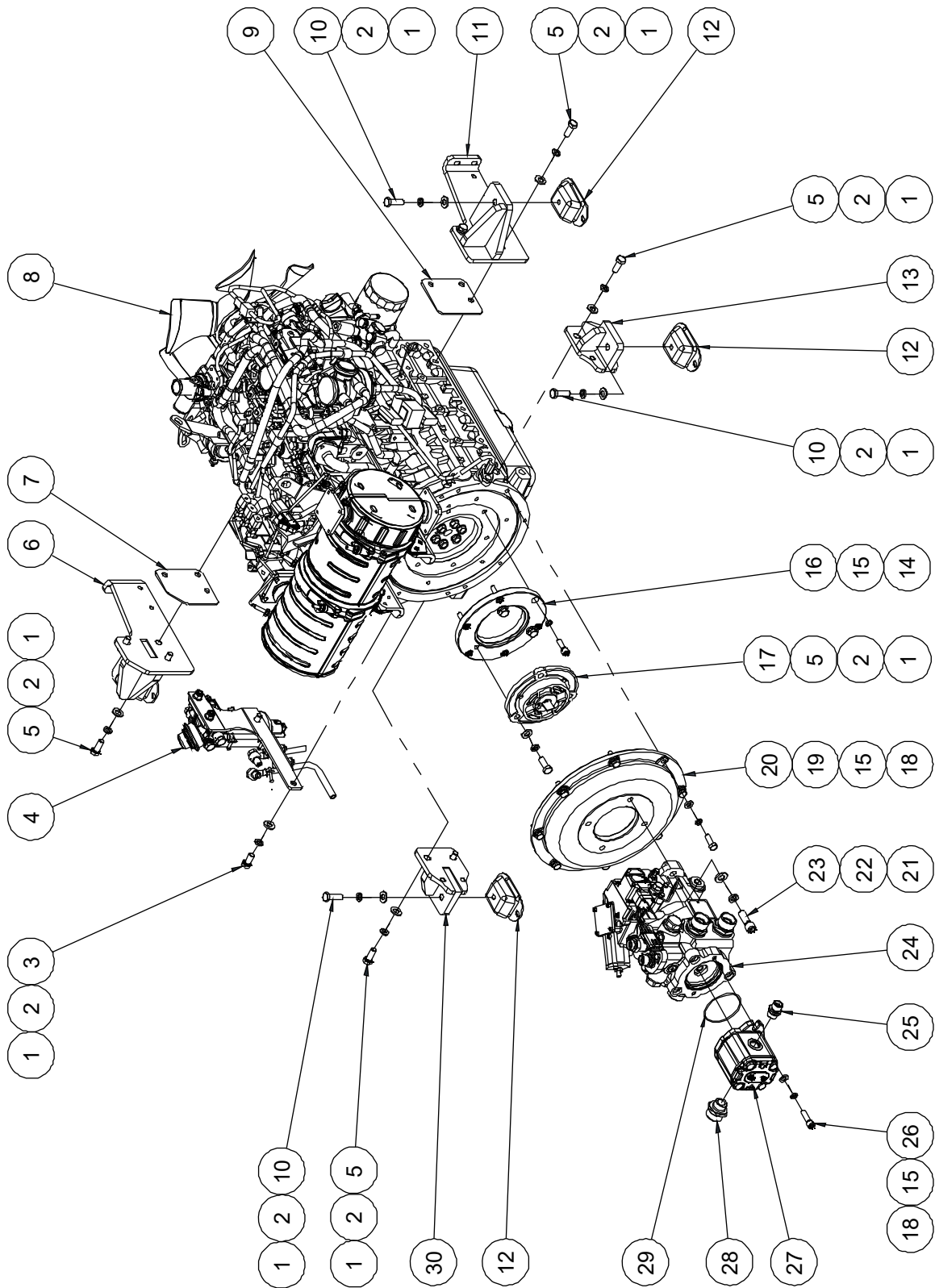
114.2 Engine Assembly (Kubota EU Stage IIIB Engine)

Item	Part No.	Description	Qty.
1	00000814	Washer GB/T 97.1 12	17
2	00000815	Washer GB/T 93 12	17
3	00002059	Bolt GB/T 5783 M12×30	9
4	10001973	Engine bracket	1
5	10021943	Shim plate	1
6	00001063	Bolt GB/T 5783 M8×16	2
7	00000609	Washer GB/T 93 8	2
8	00000608	Washer GB/T 97.1 8	2
9	10003875	Wire clip	1
10	10003967	Hose	1
11	50001592	Clamp	10
12	00002152	Engine	1
--	00004718	Starter motor	1
--	00004717	Alternator	1
--	10003947	Filter element, oil filter	1
--	00004721	Coolant temperature switch	1
--	00004720	Oil pressure switch	1
--	00004719	Coil	1
--	00001046	Fan belt	1
13		Fuel system assembly (refer to 117.1)	1
14	10016813	Shim plate	1
15	10001974	Engine bracket	1
16	00000816	Bolt GB/T 5783 M12×25	4
17		Fuel filter assembly (refer to 115.2)	1
18	00001043	Washer GB/T 97.1 14	7
19	00001258	Washer GB/T 93 14	7
20	00001259	Bolt GB/T 5783 M14×30	5
21	10001978	Engine bracket	1
22	00002162	Absorber	4

114.2 Engine Assembly (Kubota EU Stage IIIB Engine)

Item	Part No.	Description	Qty.
23	00002046	Bolt GB/T 5783 M12×35	4
24	50001561	Linker	1
25	00000679	Washer GB/T 93 10	16
26	00002249	Screw GB/T 70.1 M10×20	6
27	00002158	Flexible coupling	1
28	00000615	Washer GB/T 97.1 10	10
29	00000683	Bolt GB/T 5783 M10×30	8
30	00003193	Screw GB/T 70.1 M14×40	2
31	00001776	Straight fitting	1
32	00001059	Screw GB/T 70.1 M10×30	2
33	00003102	Gear pump	1
34	00001782	Straight fitting	1
35	00001536	O-ring As568A 82.22×2.62	1
36		Drive pump assembly (refer to 116.1)	1
37	50001575	Adapter	1
38	10001982	Engine bracket	1
39	10003876	Wire clip	1

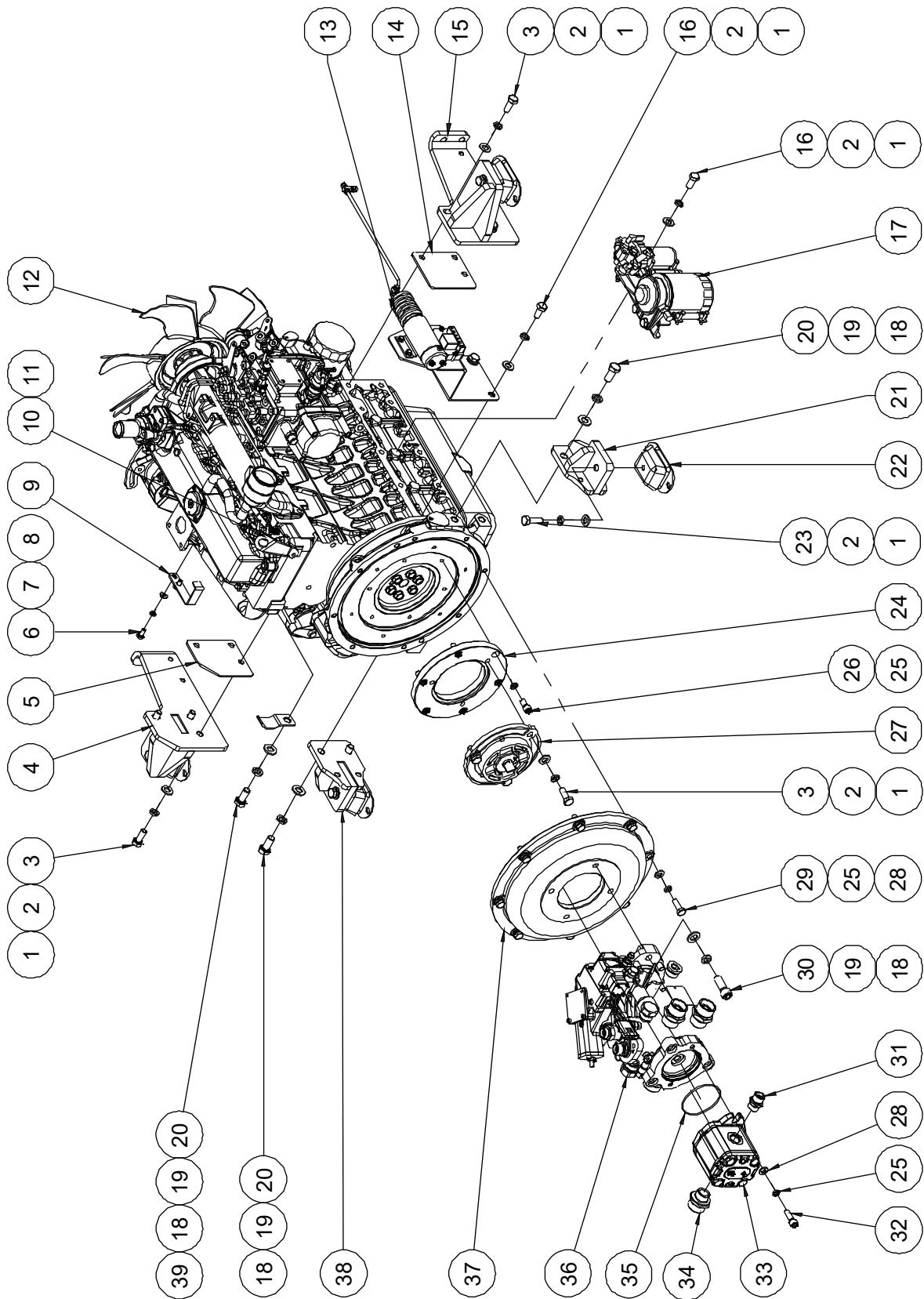
114.3 Engine Assembly (YANMAR EU Stage V Engine)



114.3 Engine Assembly (YANMAR EU Stage V Engine)

Item	Part No.	Description	Qty.
1	00000678	Bolt GB/T 5783 M10×25	14
2	00000679	Washer GB/T 93 10	27
3	00000615	Washer GB/T 97.1 10	10
4	10021667	Engine bracket	1
5	00009584	YANMAR Engine	1
6	00002046	Bolt GB/T 5783 M12×35	4
7	00000815	Washer GB/T 93 12	7
8	00000814	Washer GB/T 97.1 12	7
9	10021671	Engine bracket	1
10	00002162	Absorber	4
11	10021677	Engine bracket	1
12	10021778	Linker	1
13	00000995	Bolt GB/T 5783 M8×30	3
14	00000608	Washer GB/T 97.1 8	3
15	00002158	Flexible coupling	1
16	00002059	Bolt GB/T 5783 M12×30	3
17	50001575	Adapter	1
18	00000683	Bolt GB/T 5783 M10×30	8
19	00003193	Screw GB/T 70.1 M14×40	2
20	00001258	Washer GB/T 93 14	2
21	00001043	Washer GB/T 97.1 14	2
22		Drive pump assembly (refer to 116.1)	1
23	00001776	Straight fitting	1
24	00002238	Screw GB/T 70.1 M10×35	2
25	00003102	Gear pump	1
26	00001782	Straight fitting	1
27	00001536	O-ring As568A 82.22×2.62	1
28	10021673	Engine bracket	1

114.4 Engine Assembly (Kubota EU Stage III B-THA Engine)



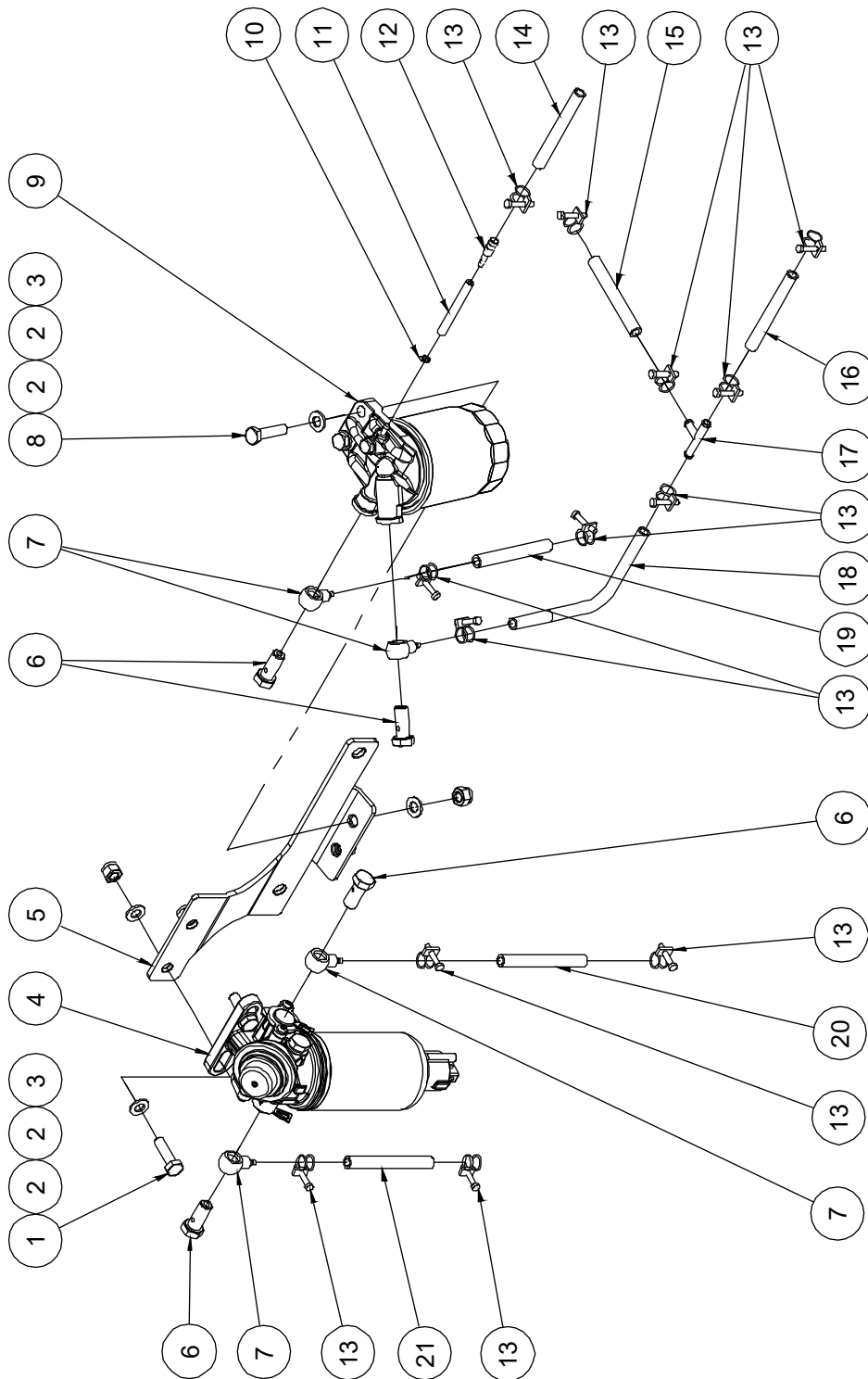
114.4 Engine Assembly (Kubota EU Stage III B-THA Engine)

Item	Part No.	Description	Qty.
1	00000814	Washer GB/T 97.1 12	17
2	00000815	Washer GB/T 93 12	17
3	00002059	Bolt GB/T 5783 M12×30	9
4	10001973	Engine bracket	1
5	10021943	Shim plate	1
6	00001063	Bolt GB/T 5783 M8×16	2
7	00000609	Washer GB/T 93 8	2
8	00000608	Washer GB/T 97.1 8	2
9	10003875	Wire clip	1
10	10003967	Hose	1
11	50001592	Clamp	10
12	00009626	Engine	1
--	00004718	Starter motor	1
--	00004717	Alternator	1
--	10003947	Filter element, oil filter	1
--	00004721	Coolant temperature switch	1
--	00004720	Oil pressure switch	1
--	00004719	Coil	1
--	00001046	Fan belt	1
--	10003948	Fan	1
13		Fuel system assembly (refer to 117.1)	1
14	10016813	Shim plate	1
15	10001974	Engine bracket	1
16	00000816	Bolt GB/T 5783 M12×25	4
17		Fuel filter assembly (refer to 115.2)	1
18	00001043	Washer GB/T 97.1 14	7
19	00001258	Washer GB/T 93 14	7
20	00001259	Bolt GB/T 5783 M14×30	5
21	10001978	Engine bracket	1

114.4 Engine Assembly (Kubota EU Stage III B-THA Engine)

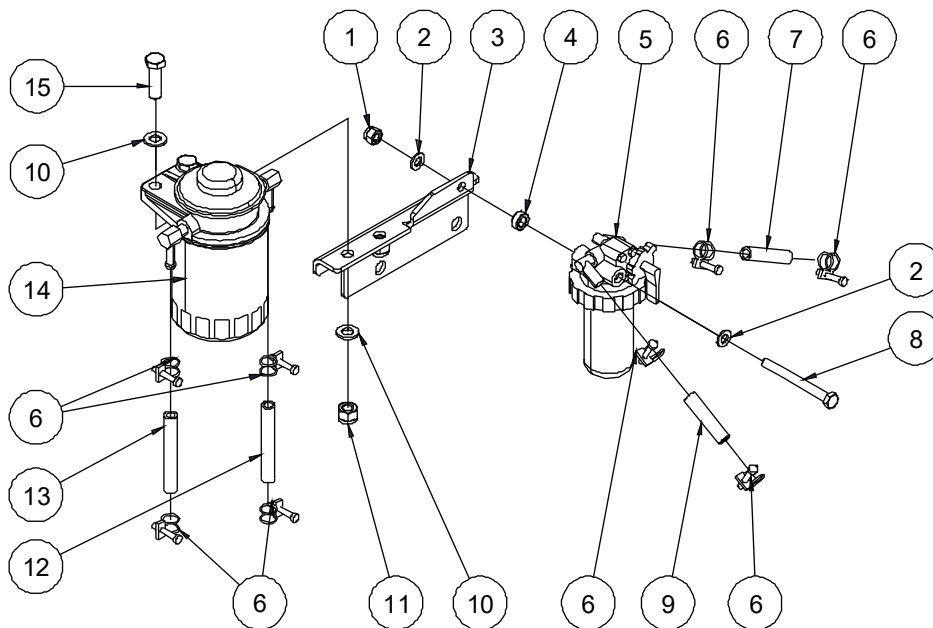
Item	Part No.	Description	Qty.
22	00002162	Absorber	4
23	00002046	Bolt GB/T 5783 M12×35	4
24	50001561	Linker	1
25	00000679	Washer GB/T 93 10	16
26	00002249	Screw GB/T 70.1 M10×20	6
27	00002158	Flexible coupling	1
28	00000615	Washer GB/T 97.1 10	10
29	00000683	Bolt GB/T 5783 M10×30	8
30	00003193	Screw GB/T 70.1 M14×40	2
31	00001776	Straight fitting	1
32	00001059	Screw GB/T 70.1 M10×30	2
33	00003102	Gear pump	1
34	00001782	Straight fitting	1
35	00001536	O-ring As568A 82.22×2.62	1
36		Drive pump assembly (refer to 116.1)	1
37	50001575	Adapter	1
38	10001982	Engine bracket	1
39	10003876	Wire clip	1

115.1 Fuel Filter Assembly (Kubota EU Stage V Engine)



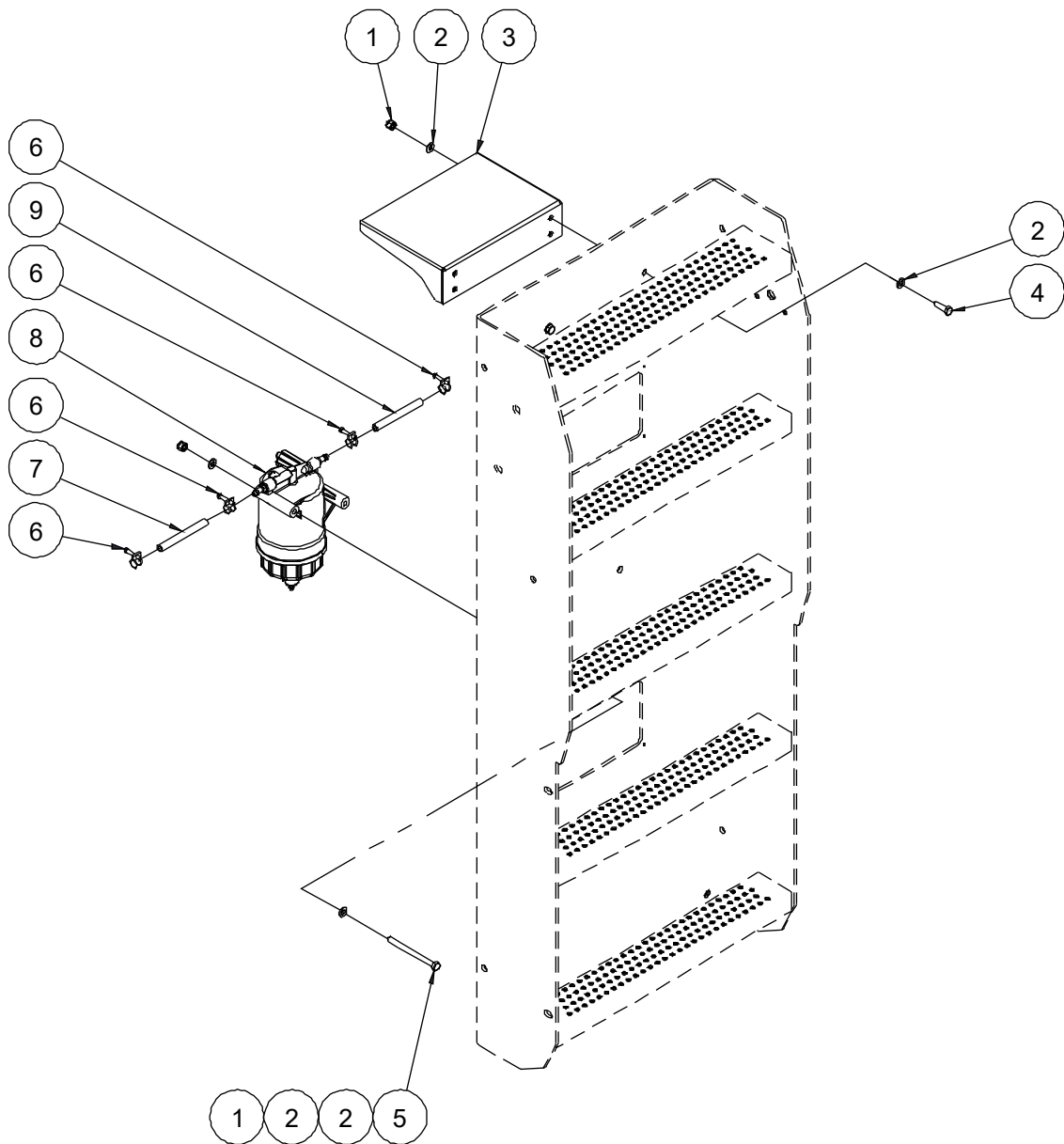
115.1 Fuel Filter Assembly (Kubota EU Stage V Engine)

Item	Part No.	Description	Qty.
1	00000684	Bolt GB/T 5783 M10×35	2
2	00000615	Washer GB/T 97.1 10	8
3	00000623	Nut GB/T 6182 M10	4
4	10006350	Oil-water separator	1
5	10006347	Fuel filter bracket	1
6	10000464	Fitting	4
7	10000465	Fitting	4
8	00001041	Bolt GB/T 5783 M10×40	2
9	10014887	Fuel filter	1
--	10006342	Filter element	1
10	00007540	Clamp	1
11	10014592	Hose	1
12	10015990	Hose	1
13	50001592	Clamp	13
14	10014891	Hose	1
15	10014889	Hose	1
16	10014890	Hose	1
17	10014569	Hose	1
18	10010443	Hose	1
19	10010327	Hose	1
20	10006360	Hose	1
21	10006359	Hose	1

115.2 Fuel Filter Assembly (Kubota EU Stage III B Engine)**115.2 Fuel Filter Assembly (Kubota EU Stage III B Engine)**

Item	Part No.	Description	Qty.
1	00001163	Nut GB/T 6182 M8	1
2	00000608	Washer GB/T 97.1 8	2
3	50003114	Fuel filter bracket	1
4	50001586	Spacer	1
5	10003003	Oil-water separator	1
6	50001592	Clamp	8
7	10003967	Hose	1
8	00001026	Bolt GB/T 5782 M8×80	1
9	10003968	Hose	1
10	00000615	Washer GB/T 97.1 10	4
11	00000623	Nut GB/T 6182 M10	2
12	10014509	Hose	1
13	10014510	Hose	1
14	10003955	Fuel filter	1
--	10003957	Filter element	1
15	00000684	Bolt GB/T 5783 M10×35	2

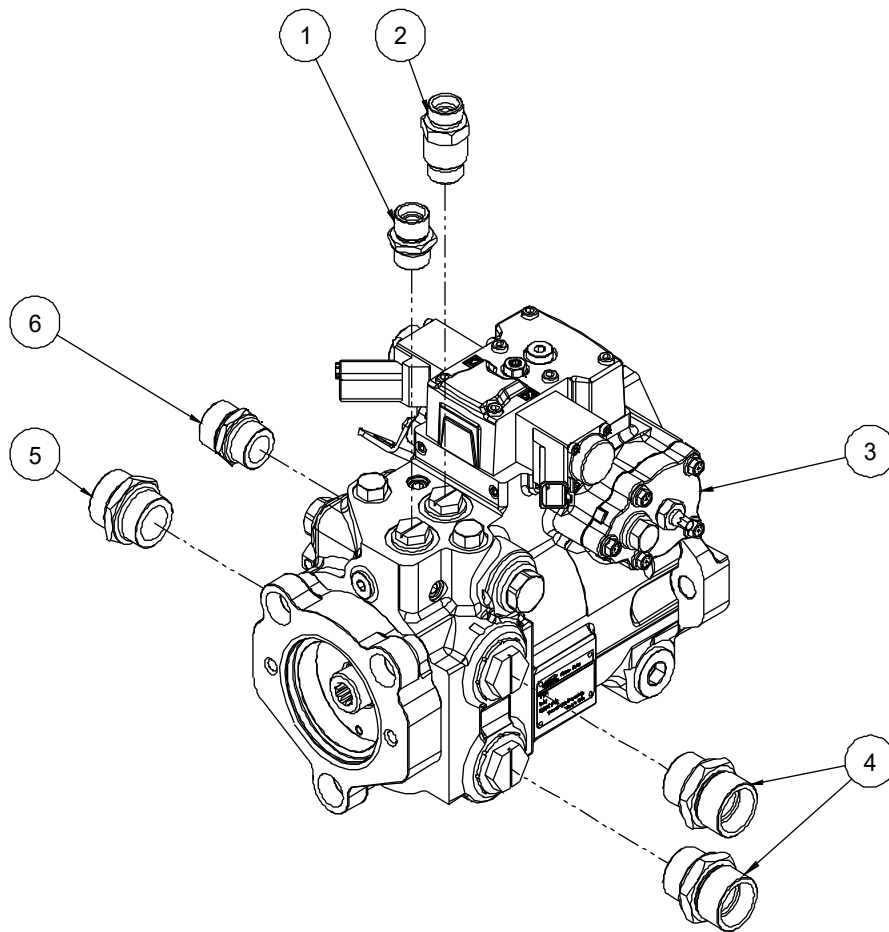
115.3 Fuel Filter Assembly (YANMAR EU Stage V Engine)



115.3 Fuel Filter Assembly (YANMAR EU Stage V Engine)

Item	Part No.	Description	Qty.
1	00001163	Nut GB/T 6182 M8	6
2	00000608	Washer GB/T 97.1 8	12
3	10015183	Cover	1
4	00000993	Bolt GB/T 5783 M8×25	4
5	00001970	Bolt GB/T 5782 M8×100	2
6	50001592	Clamp	4
7	10021837	Hose	1
8	00009587	Oil-water separator	1
9	10021836	Hose	1

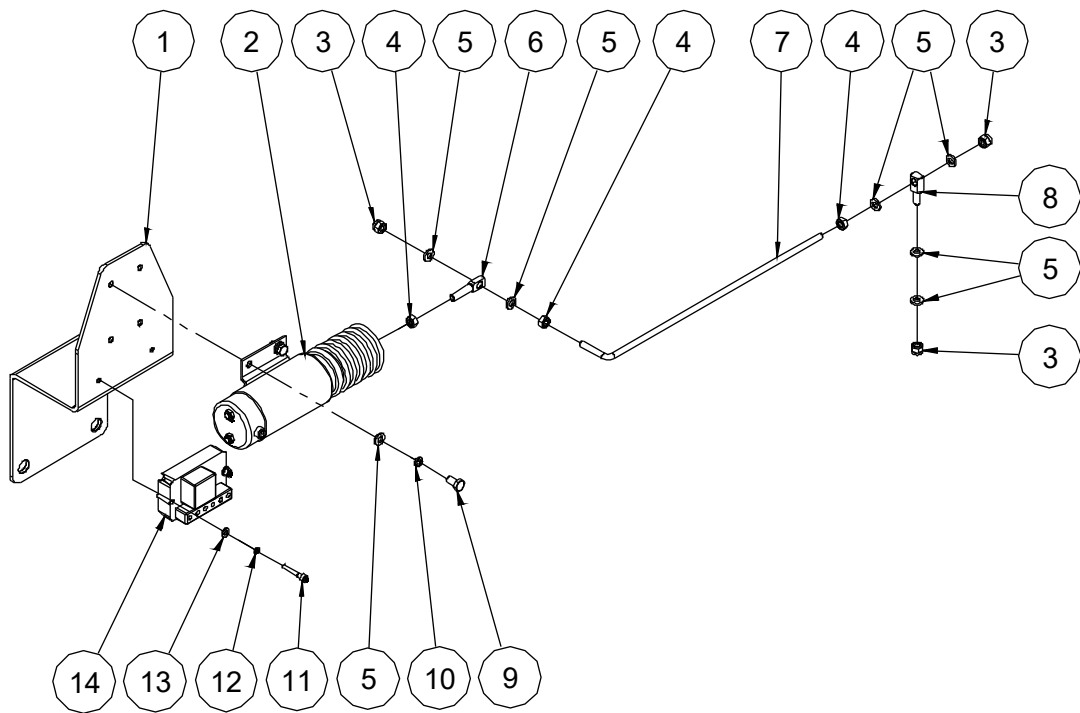
116.1 Drive Pump Assembly



116.1 Drive Pump Assembly

Item	Part No.	Description	Qty.
1	00001776	Straight fitting	1
2	00003734	Straight fitting	1
3	00006633	Piston pump	1
4	00001790	Straight fitting	2
5	00001783	Straight fitting	1
6	00001780	Straight fitting	1

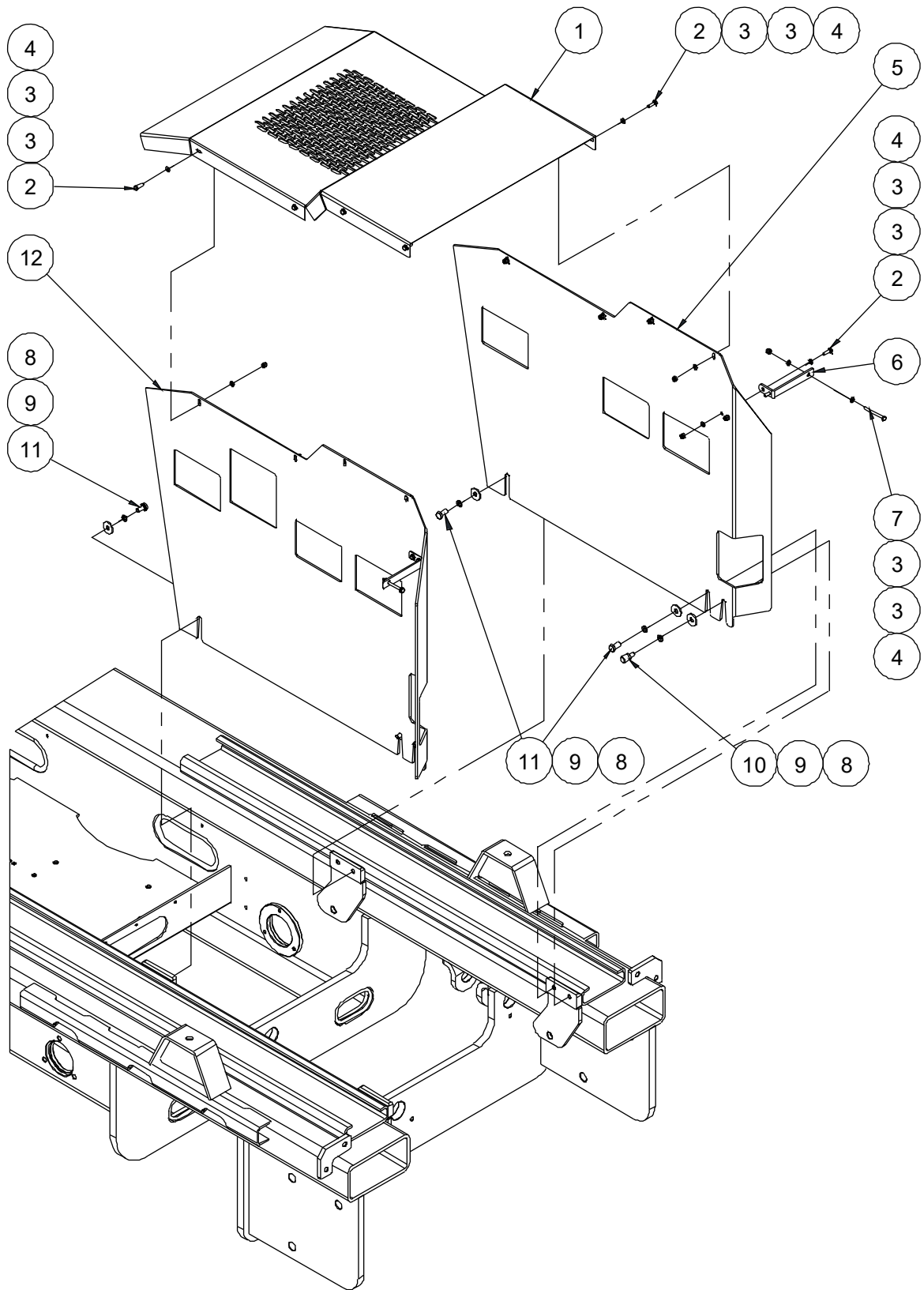
117.1 Fuel System Assembly (Kubota EU Stage IIIB Engine)



117.1 Fuel System Assembly (Kubota EU Stage IIIB Engine)

Item	Part No.	Description	Qty.
1	10003711	Throttle solenoid bracket	1
2	00002203	Throttle solenoid	1
3	00001033	Nut GB/T 6182 M6	3
4	00002247	Nut GB/T 6170 M6	3
5	00000620	Washer GB/T 97.1 6	10
6	10002730	Throttle screw	1
7	10003667	Throttle linkage	1
8	10002731	Throttle screw	1
9	00000745	Bolt GB/T 5783 M6×12	4
10	00000621	Washer GB/T 93 6	4
11	00002228	Screw GB/T 70.1 M4×25	2
12	00000779	Washer GB/T 93 4	2
13	00000778	Washer GB/T 97.1 4	2
14	00002204	Solenoid module	1

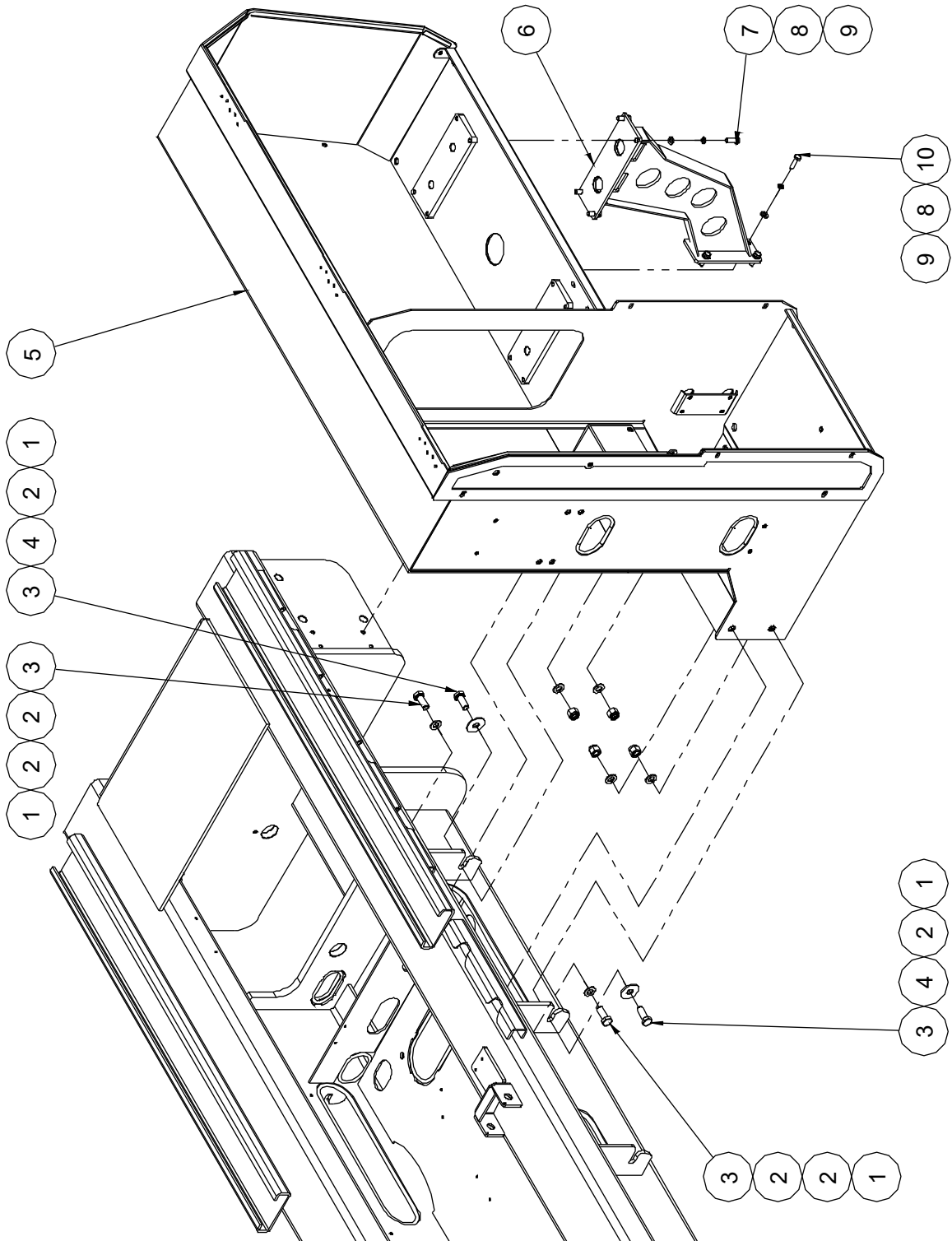
118.1 Engine Cover Assembly



118.1 Engine Cover Assembly

Item	Part No.	Description	Qty.
1	10021811	Engine top cover	1
2	00000743	Bolt GB/T 5783 M6×20	12
3	00000620	Washer GB/T 97.1 6	28
4	00001033	Nut GB/T 6182 M6	12
5	10021829	Engine side cover	1
6	10003636	Bracket	2
7	00002335	Bolt GB/T 5782 M6×60	2
8	00001028	Washer GB/T 96.1 10	6
9	00000679	Washer GB/T 93 10	6
10	10003633	Screw	2
11	00000674	Bolt GB/T 5783 M10×20	4
12	10021820	Engine side cover	1

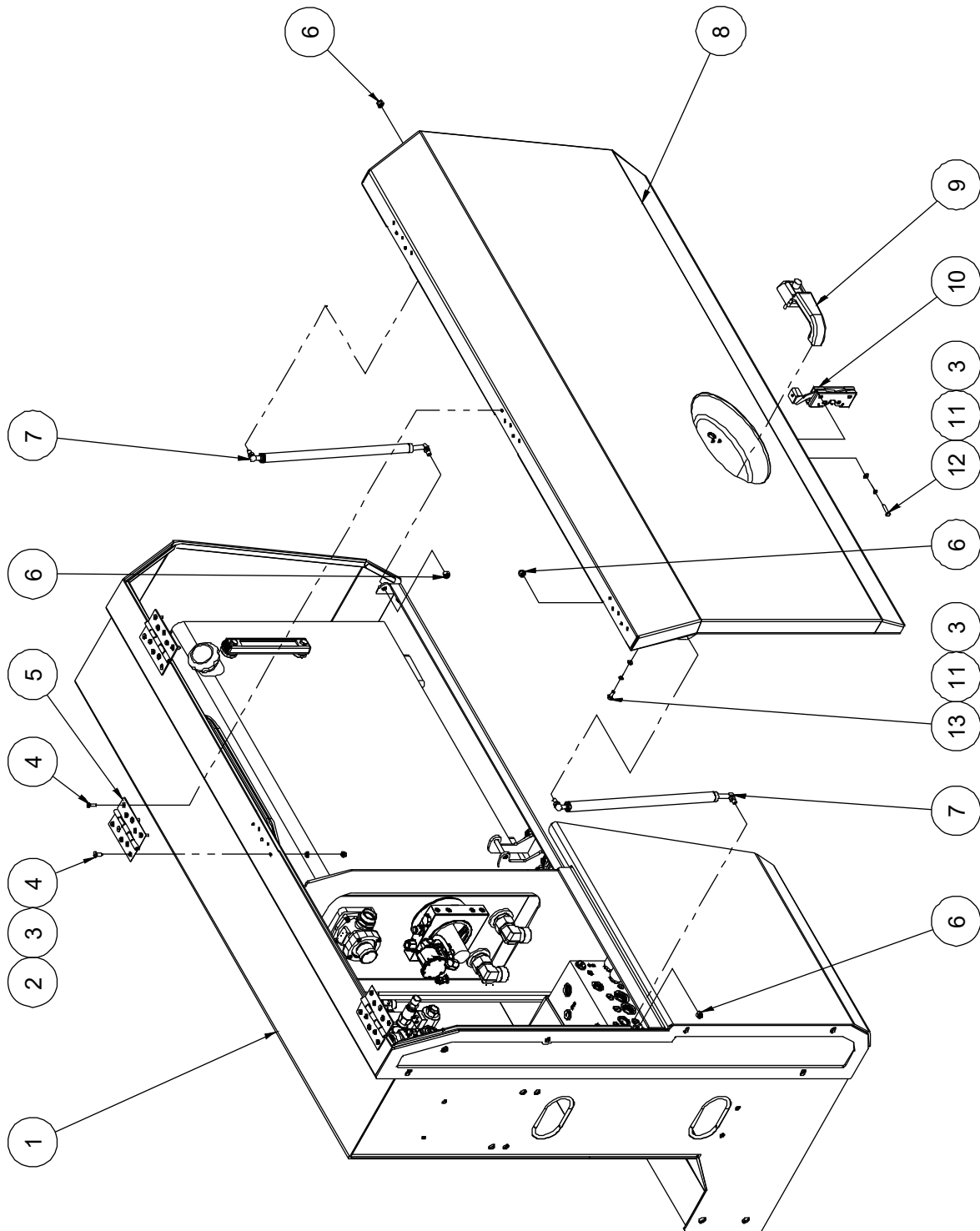
119.1 Hydraulic Tray Installation



119.1 Hydraulic Tray Installation

Item	Part No.	Description	Qty.
1	00001257	Nut GB/T 6182 M16	4
2	00000997	Washer GB/T 97.1 16	6
3	00001161	Bolt GB/T 5783 M16×40	4
4	00003071	Washer GB/T 96.1 16	2
5	10019066	Hydraulic tray weldment	1
6	10003764	Bracket weldment	1
7	00000683	Bolt GB/T 5783 M10×30	4
8	00000679	Washer GB/T 93 10	8
9	00000615	Washer GB/T 97.1 10	8
10	00000684	Bolt GB/T 5783 M10×35	4

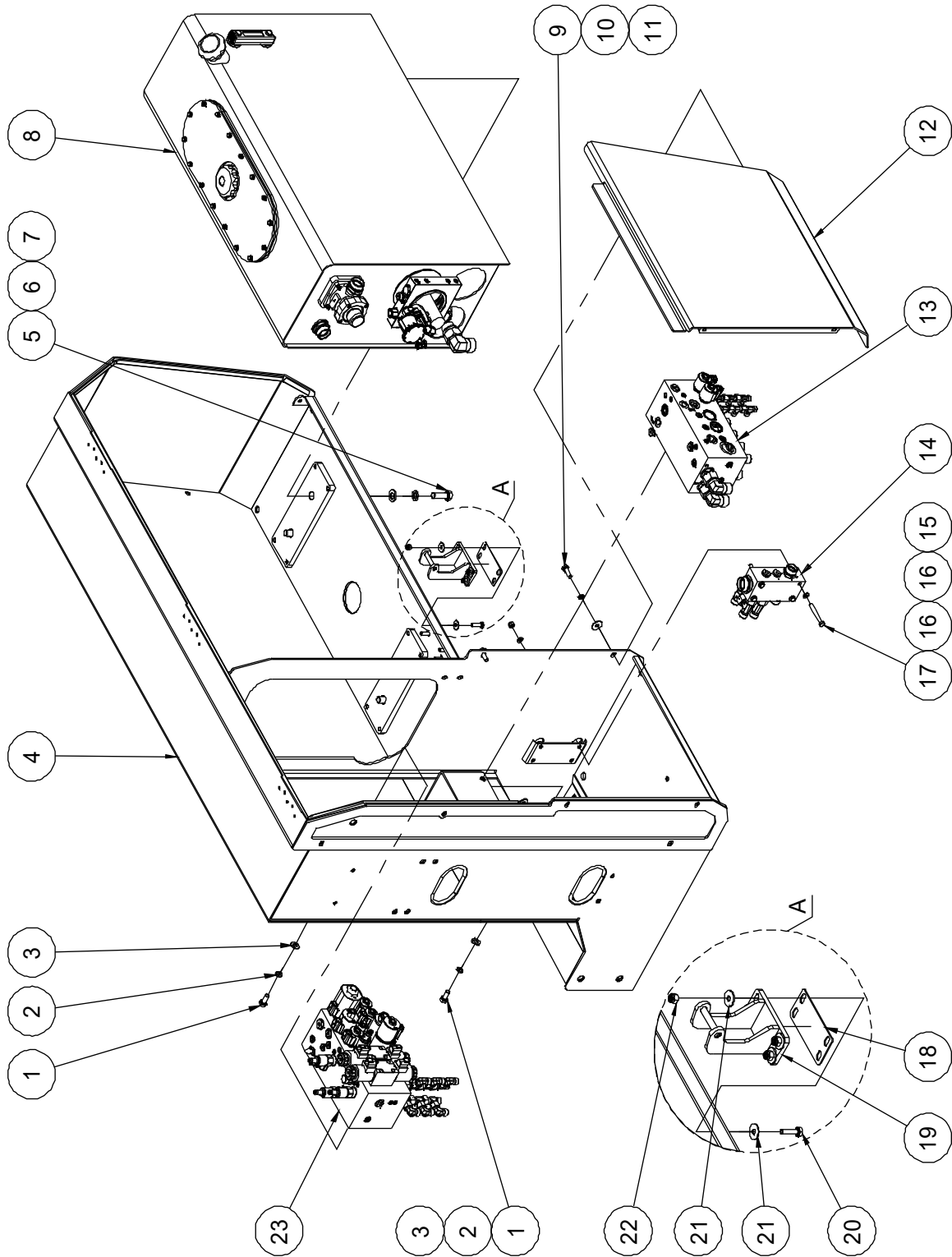
120.1 Hydraulic Tray Door Installation



120.1 Hydraulic Tray Door Installation

Item	Part No.	Description	Qty.
1	10019066	Hydraulic tray weldment	1
2	00001033	Nut GB/T 6182 M6	15
3	00000620	Washer GB/T 97.1 6	22
4	00000831	Screw GB/T 70.3 M6×20	30
5	10004083	Hinge	3
6	00001163	Nut GB/T 6182 M8	4
7	10004088	Gas shock	2
8	10003735	Door	1
9	50000524	Handle	1
10	10003744	Latch	1
11	00000621	Washer GB/T 93 6	7
12	00000619	Bolt GB/T 5783 M6×25	4
13	00000818	Bolt GB/T 5783 M6×16	3

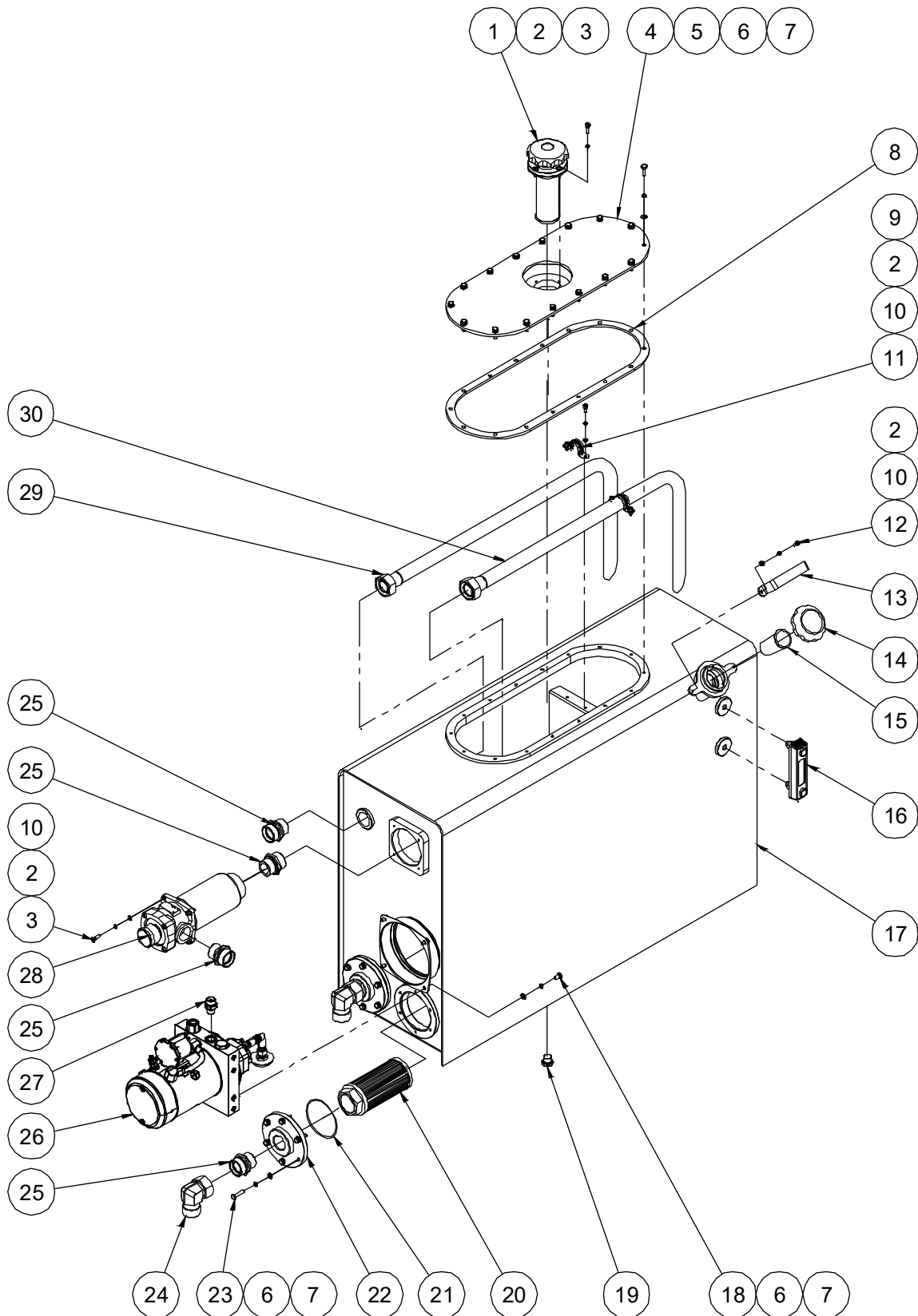
121.1 Hydraulic Tank and Manifolds Installation



121.1 Hydraulic Tank and Manifolds Installation

Item	Part No.	Description	Qty.
1	00000816	Bolt GB/T 5783 M12×25	6
2	00000815	Washer GB/T 93 12	6
3	00000814	Washer GB/T 97.1 12	6
4	10019066	Hydraulic tray weldment	1
5	00001057	Bolt GB/T 5783 M16×45	4
6	00001035	Washer GB/T 93 16	4
7	00000997	Washer GB/T 97.1 16	4
8		Hydraulic tank assembly (refer to 122.1)	1
9	00000683	Bolt GB/T 5783 M10×30	2
10	00000679	Washer GB/T 93 10	4
11	00001028	Washer GB/T 96.1 10	2
12	10003741	Cover	1
13		Drive manifold assembly (refer to 123.1)	1
14		Hydraulic hoses manifold assembly (refer to 124.1)	1
15	00000994	Nut GB/T 889.1 M8	4
16	00000608	Washer GB/T 97.1 8	8
17	00001860	Bolt GB/T 5782 M8×70	4
18	10003751	Adjusting plate	1
19	10003747	Lock clasp	1
20	00000995	Bolt GB/T 5783 M8×30	4
21	00002000	Washer GB/T 96.1 8	8
22	00001163	Nut GB/T 6182 M8	4
23		Function manifold assembly (refer to 125.1)	1

122.1 Hydraulic Tank Assembly



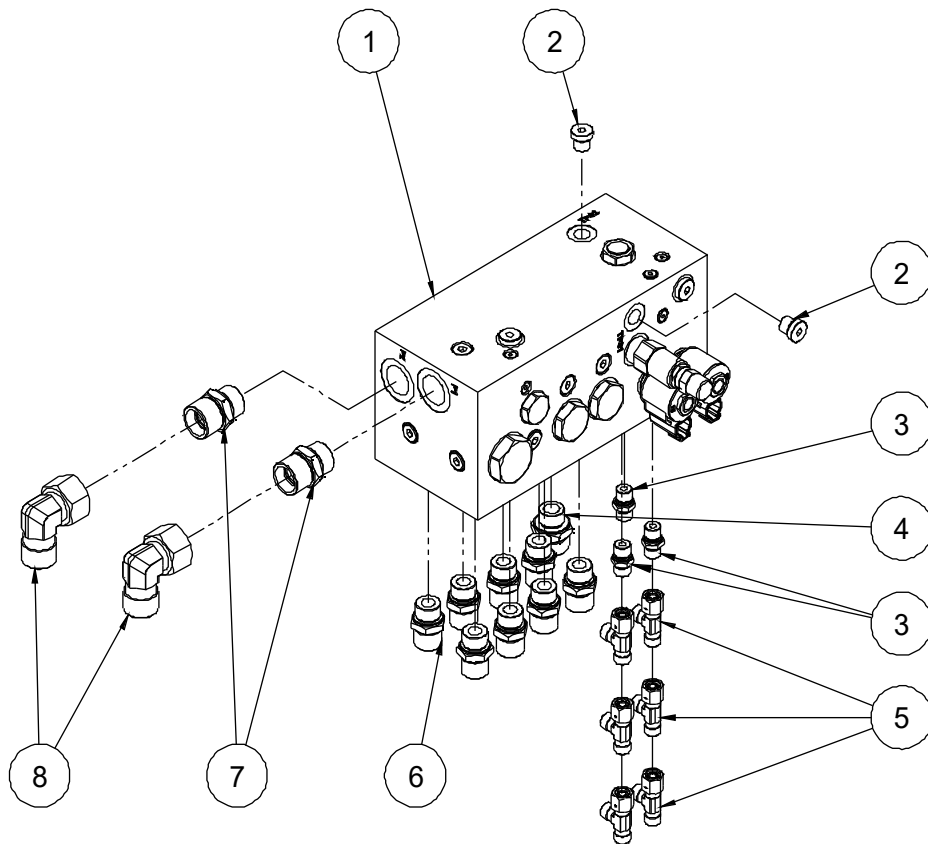
122.1 Hydraulic Tank Assembly

Item	Part No.	Description	Qty.
1	00000520	Air cleaner	1
2	00000606	Washer GB/T 93 5	14
3	00001246	Screw GB/T 70.1 M5×16	8
4	10003598	Cover weldment	1
5	00000743	Bolt GB/T 5783 M6×20	16
6	00000621	Washer GB/T 93 6	32
7	00000620	Washer GB/T 97.1 6	32
8	10003595	Rubber pad	1
9	00001252	Screw GB/T 70.1 M5×12	4
10	00000605	Washer GB/T 97.1 5	10
11	10014141	Clamp	2
12	00002246	Bolt GB/T 5783 M5×12	2
13	10013555	Keeper bar	1
14	00002153	Tank cover	1
15	00002154	Filter web	1
16	00001873	Level gauge	1
17	10014367	Hydraulic tank weldment	1
18	00000745	Bolt GB/T 5783 M6×12	4
19	00001074	Plug VSTI16×1.5ED	1
20	00000519	Suction filter	2
21	00001536	O-ring As568A 82.22×2.62	2
22	50001437	Flange	2
23	00000619	Bolt GB/T 5783 M6×25	12
24	00001837	Elbow	2
25	00002071	Straight fitting	6
26	00003111	Hydraulic power unit	1
--	00004726	Pump	1
--	00004729	Motor	1
--	00004730	DC Contactor	1

122.1 Hydraulic Tank Assembly

Item	Part No.	Description	Qty.
--	00004724	Check valve	1
--	00004725	Relief valve	1
--	00005007	Filter web	1
27	00001501	Straight fitting	1
28	00003113	Return filter	1
--	00004416	Filter element	1
29	10003973	Pipe	1
30	10003971	Pipe	1

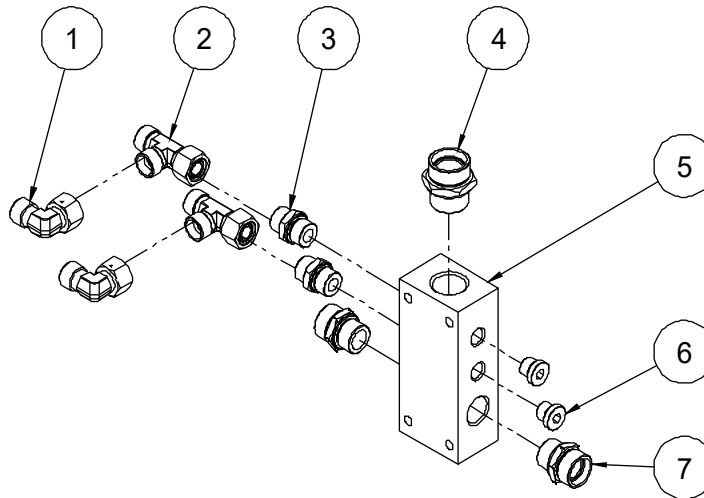
123.1 Drive Manifold Assembly



123.1 Drive Manifold Assembly

Item	Part No.	Description	Qty.
1	00008324	Drive manifold (refer to 406.1)	1
2	00001073	Plug VST114×1.5ED	3
3	00001282	Straight fitting	2
4	00001270	Straight fitting	1
5	00001237	Tee fitting	6
6	00001283	Straight fitting	8
7	00001285	Straight fitting	2
8	00001842	Elbow	2

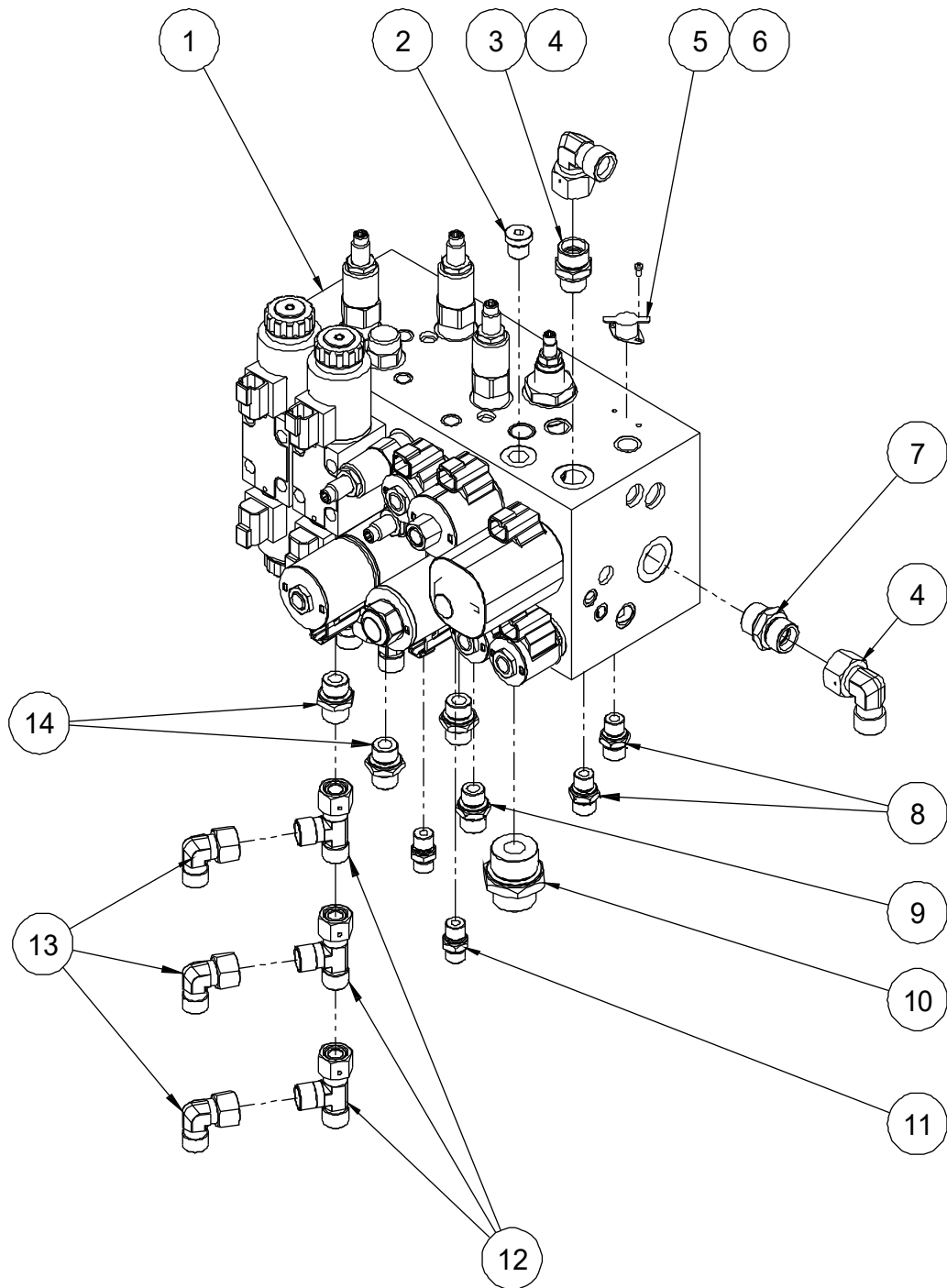
124.1 Hydraulic Hoses Manifold Assembly



124.1 Hydraulic Hoses Manifold Assembly

Item	Part No.	Description	Qty.
1	00001835	Elbow	2
2	00001240	Tee fitting	2
3	00001266	Straight fitting	2
4	00002071	Straight fitting	1
5	00002183	Manifold	1
6	00001074	Plug VST116×1.5ED	2
7	00001269	Straight fitting	2

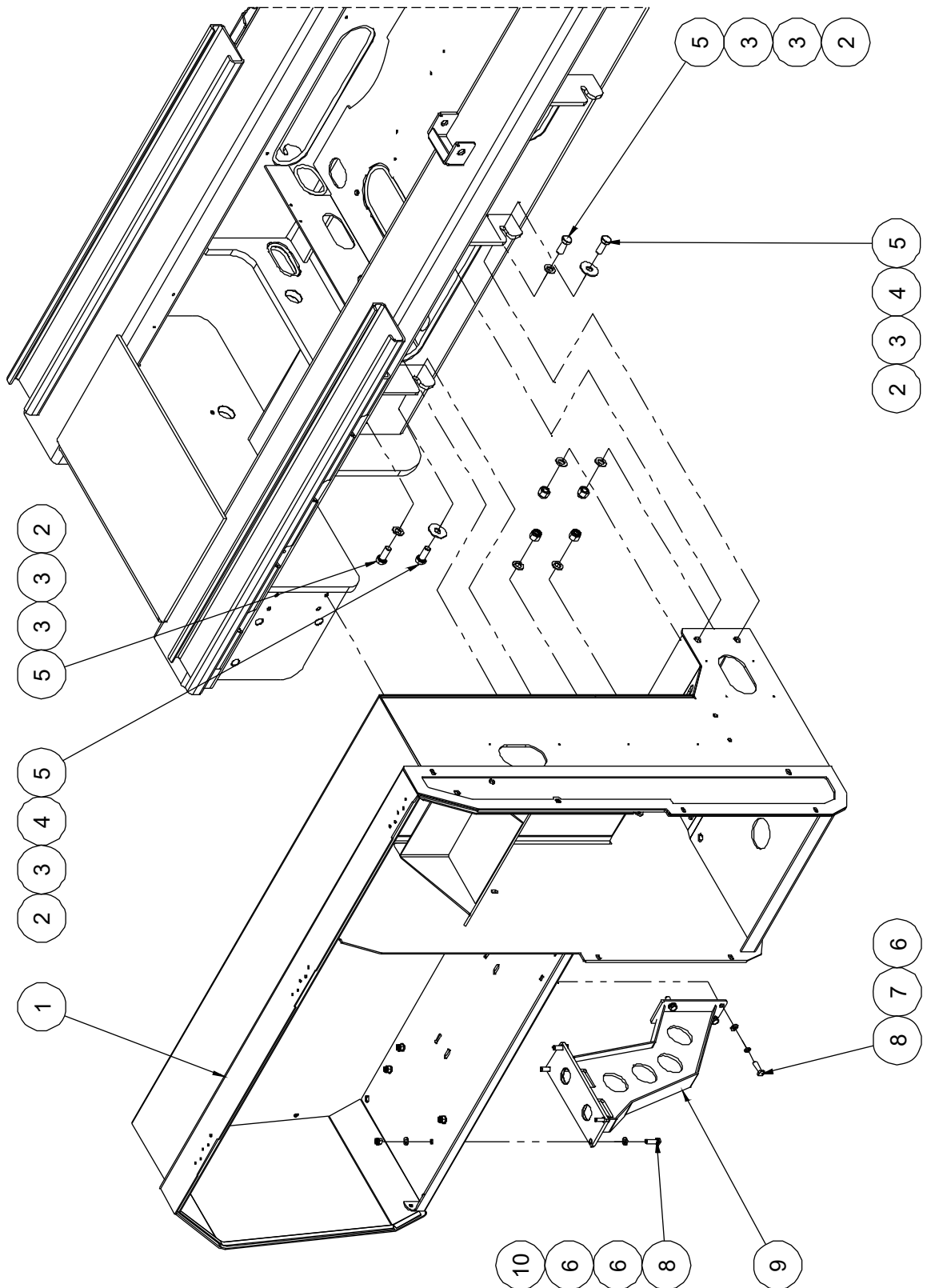
125.1 Function Manifold Assembly



125.1 Function Manifold Assembly

Item	Part No.	Description	Qty.
1	00008716	Function manifold (refer to 407.1)	1
2	00001073	Plug VST114×1.5ED	1
3	00001264	Straight fitting	1
4	00001835	Elbow	2
5	00003376	Temperature switch	1
6	00003548	Screw GB/T 818 M3×6 - H	2
7	00001266	Straight fitting	1
8	00001290	Straight fitting	2
9	00001294	Straight fitting	1
10	00001272	Straight fitting	1
11	00001282	Straight fitting	2
12	00001239	Tee fitting	6
13	00001834	Elbow	6
14	00001262	Straight fitting	4

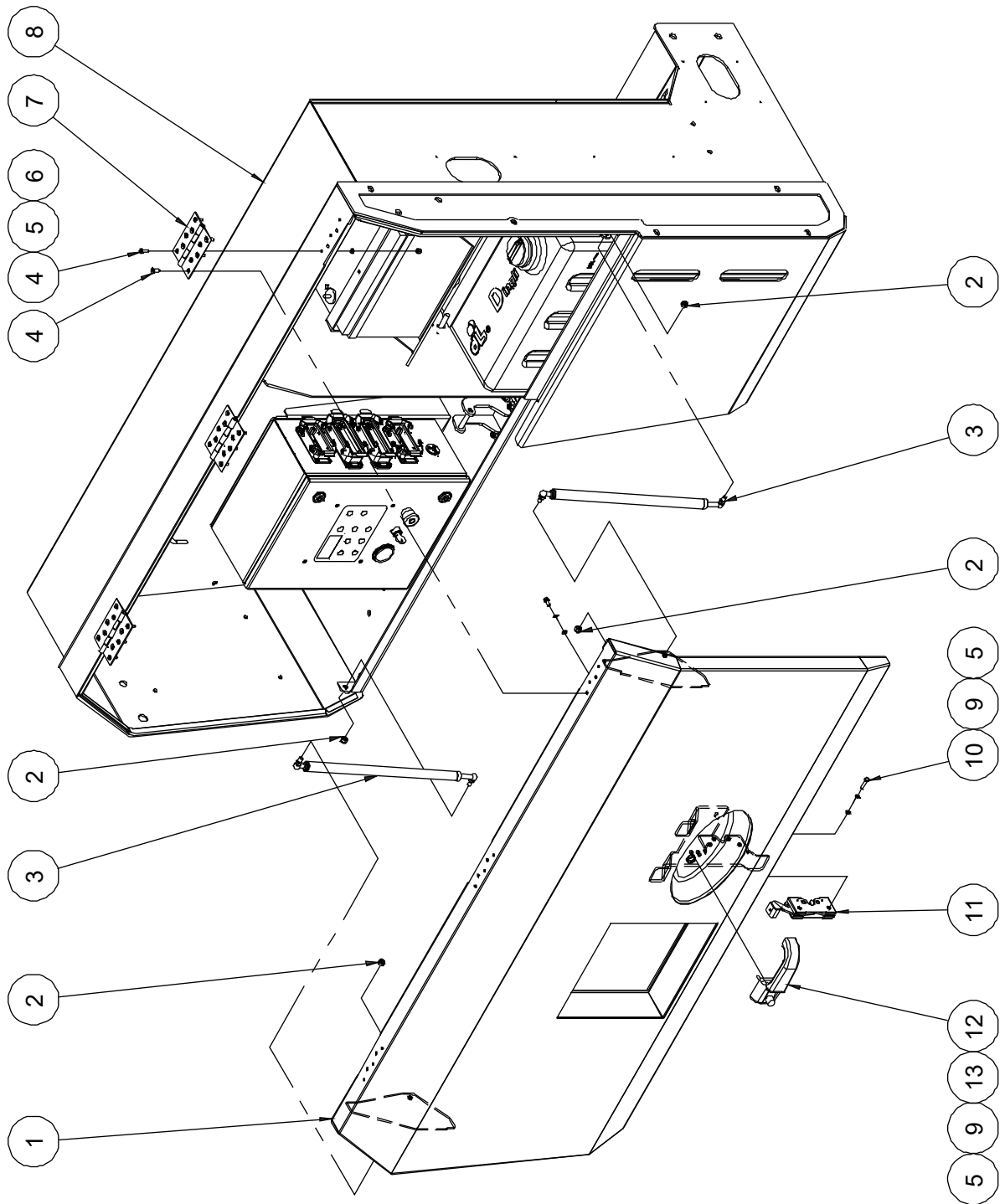
126.1 Ground Control Tray Installation



126.1 Ground Control Tray Installation

Item	Part No.	Description	Qty.
1	10011943	Ground control tray weldment	1
2	00001257	Nut GB/T 6182 M16	4
3	00000997	Washer GB/T 97.1 16	6
4	00003071	Washer GB/T 96.1 16	2
5	00001161	Bolt GB/T 5783 M16×40	4
6	00000615	Washer GB/T 97.1 10	12
7	00000679	Washer GB/T 93 10	4
8	00000684	Bolt GB/T 5783 M10×35	8
9	10003764	Bracket weldment	1
10	00000623	Nut GB/T 6182 M10	4

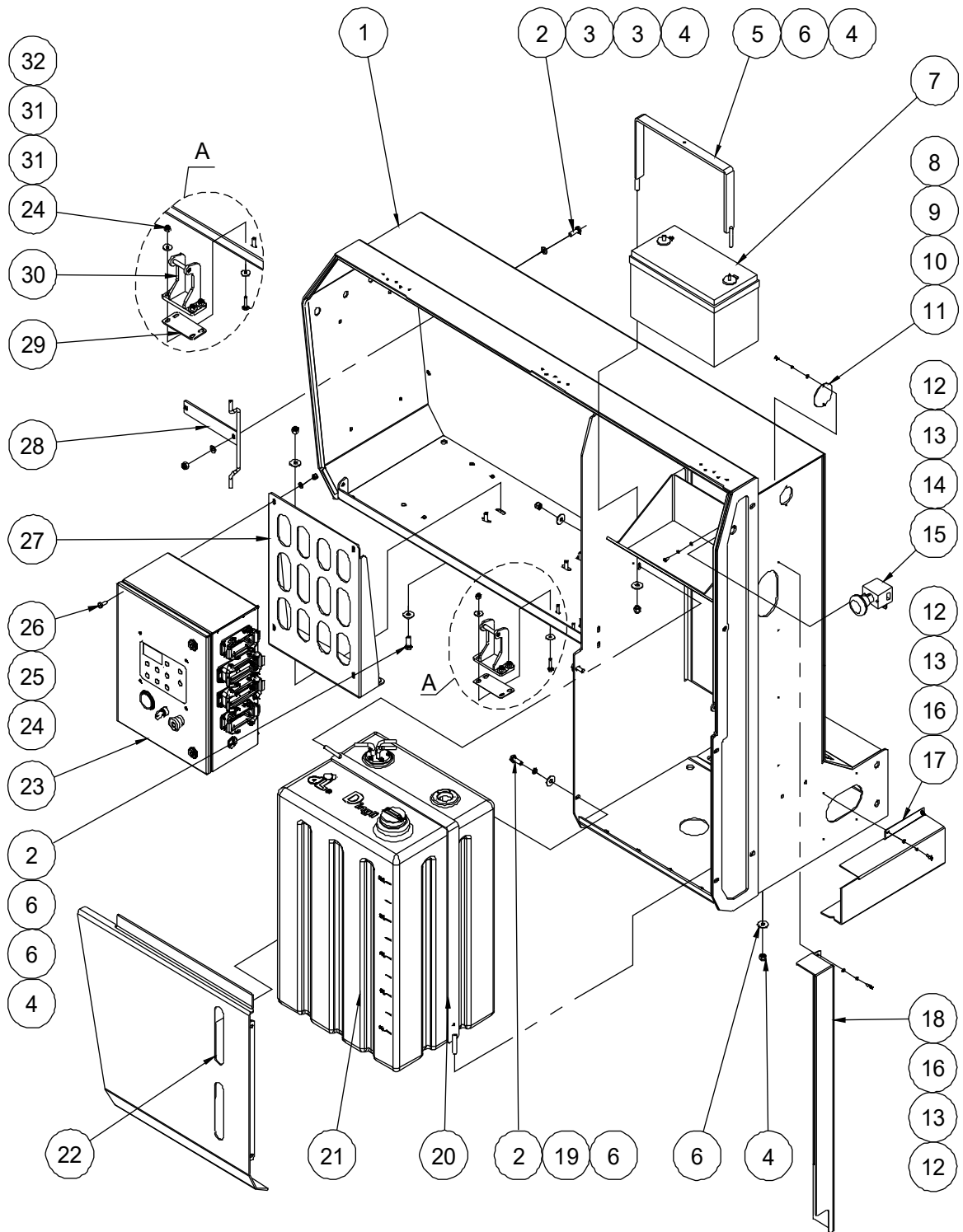
127.1 Ground Control Tray Door Installation



127.1 Ground Control Tray Door Installation

Item	Part No.	Description	Qty.
1	10003792	Door	1
2	00001163	Nut GB/T 6182 M8	4
3	10004088	Gas shock	2
4	00000831	Screw GB/T 70.3 M6×20	30
5	00000620	Washer GB/T 97.1 6	22
6	00001033	Nut GB/T 6182 M6	15
7	10004083	Hinge	3
8	10011943	Ground control tray weldment	1
9	00000621	Washer GB/T 93 6	7
10	00000619	Bolt GB/T 5783 M6×25	4
11	10003802	Latch	1
12	50000524	Handle	1
13	00000818	Bolt GB/T 5783 M6×16	3

128.1 Fuel Tank and Ground Control Installation



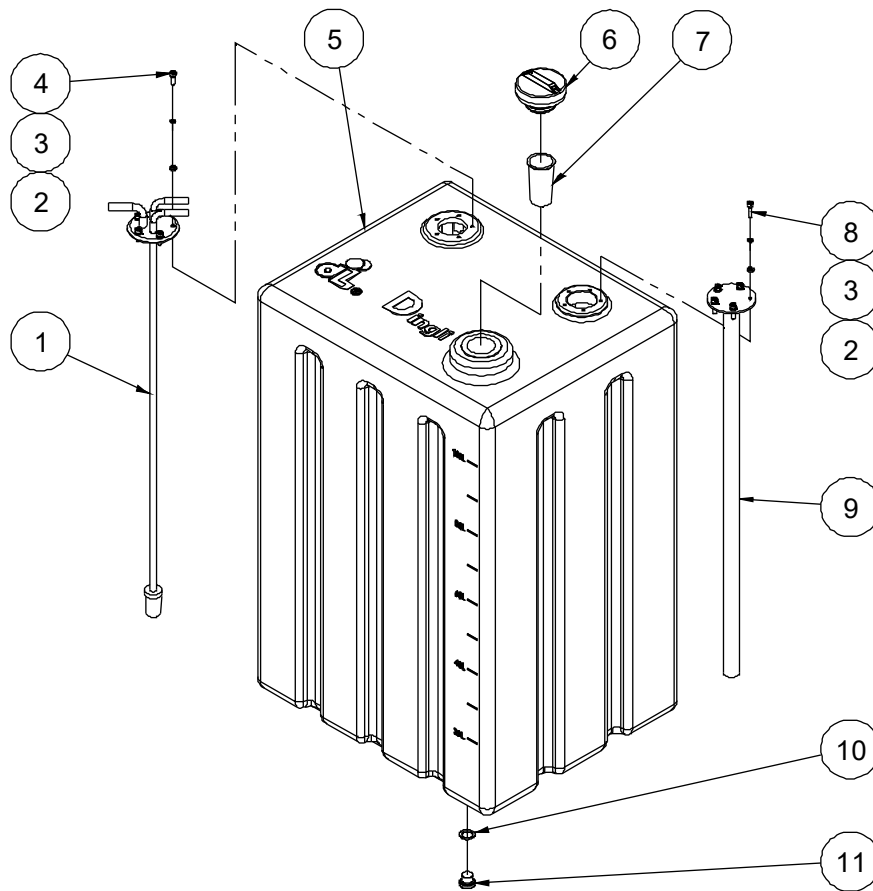
128.1 Fuel Tank and Ground Control Installation

Item	Part No.	Description	Qty.
1	10011943	Ground control tray weldment	1
2	00000683	Bolt GB/T 5783 M10×30	7
3	00000615	Washer GB/T 97.1 10	2
4	00000623	Nut GB/T 6182 M10	9
5	10003806	Battery keeper bar	1
6	00001028	Washer GB/T 96.1 10	14
7	00004485	Battery	1
8	00000778	Washer GB/T 97.1 4	2
9	00000779	Washer GB/T 93 4	2
10	00002511	Bolt GB/T 5783 M4×10	2
11	10021300	Cover	1
	10021326	Cover	1
12	00000605	Washer GB/T 97.1 5	17
13	00000606	Washer GB/T 93 5	17
14	00000607	Screw GB/T 818 M5×12 - H	2
15	00000655	Power switch	1
16	00001252	Screw GB/T 70.1 M5×12	8
17	10011952	Protection plate	1
18	10011951	Protection plate	1
19	00000679	Washer GB/T 93 10	2
20	10003803	Tank strap	1
21		Fuel tank assembly (refer to 129.1)	1
22	10003818	Cover	1
23		Ground control box assembly (refer to 130.1)	1
24	00001163	Nut GB/T 6182 M8	8
25	00000608	Washer GB/T 97.1 8	4
26	00000875	Bolt GB/T 5783 M8×20	4
27	10003801	Ground control box bracket	1
28	10003798	Wire winding seat	1

128.1 Fuel Tank and Ground Control Installation

Item	Part No.	Description	Qty.
29	10003751	Adjusting plate	1
30	10003747	Lock clasp	1
31	00002000	Washer GB/T 96.1 8	8
32	00000995	Bolt GB/T 5783 M8×30	4

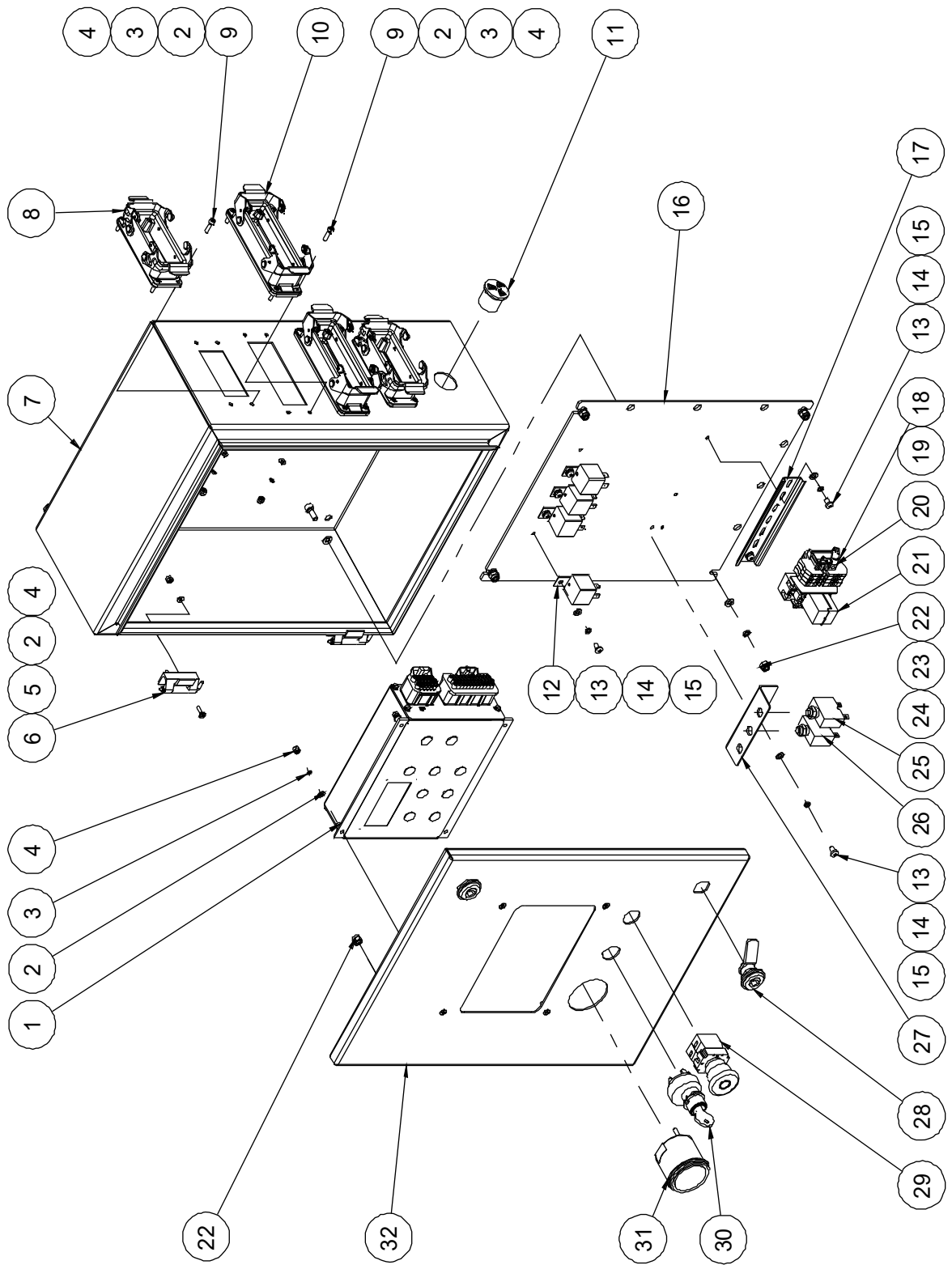
129.1 Fuel Tank Assembly



129.1 Fuel Tank Assembly

Item	Part No.	Description	Qty.
1	10004087	Pipe	1
2	00000605	Washer GB/T 97.1 5	10
3	00000606	Washer GB/T 93 5	10
4	00001246	Screw GB/T 70.1 M5×16	5
5	10013428	Fuel tank	1
6	10013429	Tank cover	1
7	00002154	Filter web	1
8	00000817	Screw GB/T 70.1 M5×20	5
9	00007342	Oil level sensor	1
10	00001335	Washer JB/T 982 16	1
11	00001074	Plug VSTI16×1.5ED	1

130.1 Ground Control Box Assembly



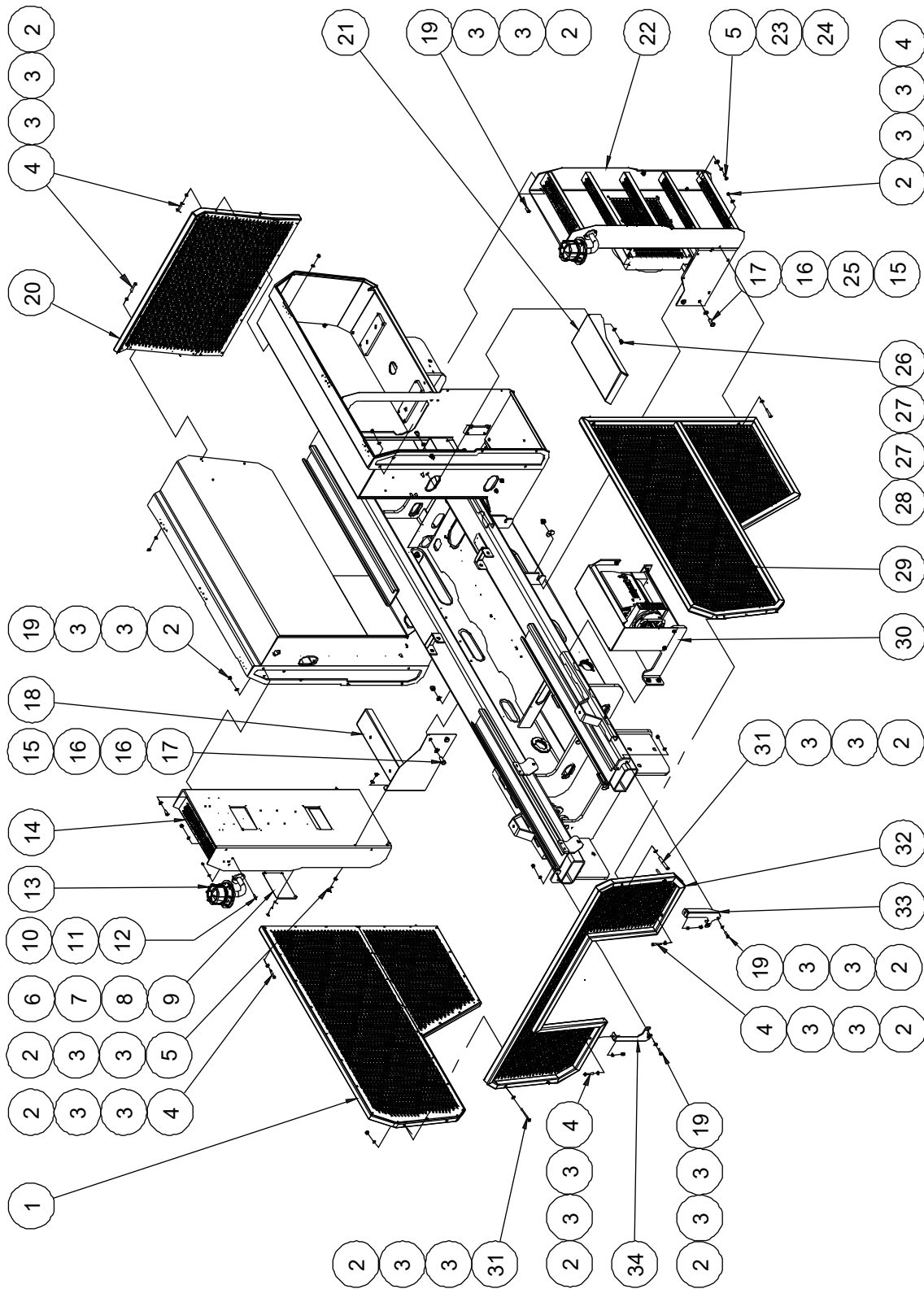
130.1 Ground Control Box Assembly

Item	Part No.	Description	Qty.
1	85000159	Controller	1
2	00000778	Washer GB/T 97.1 4	24
3	00000779	Washer GB/T 93 4	20
4	00001236	Nut GB/T 889.1 M4	24
5	00005259	Screw GB/T 819 M4×14 - H	4
6	50000217	Hinge	2
7	10004952	Ground control box weldment	1
8	00002719	Housing	2
9	00000604	Screw GB/T 70.1 M4×16	16
10	00000732	Housing	2
11	00004885	Alarm	1
12	00002206	Relay (IV Engine)	5
	00002206	Relay (IIIB Engine)	4
13	00002391	Screw GB/T 818 M5×8 - H	9
14	00000606	Washer GB/T 93 5	9
15	00000605	Washer GB/T 97.1 5	9
16	10004972	Mounting plate	1
17	10004977	Terminal rail	1
18	00000659	End, Straight	4
19	00002593	End, Plate	1
20	00000660	End, Fixation	2
21	00000647	Relay	1
22	00000742	Nut GB/T 889.1 M6	6
23	00000621	Washer GB/T 93 6	4
24	00000620	Washer GB/T 97.1 6	8
25	00002597	Circuit breaker	1
26	00002208	Circuit breaker	1
27	10004973	Circuit breaker bracket	1
28	00001296	Latch, Column	2

130.1 Ground Control Box Assembly

Item	Part No.	Description	Qty.
29	00000923	Emergency stop switch	1
--	00001245	NC contact	1
--	00000752	Base with 1 NC contact	1
--	00000754	Red mushroom head	1
30	00001243	Key switch (key removable in off position)	1
	00003356	Key switch (key removable in all position)	1
--	00003050	Key	1
31	00007577	Oil level gauge	1
32	10019391	Decal, Ground control panel	1

131.1 Link Guard and Ladder



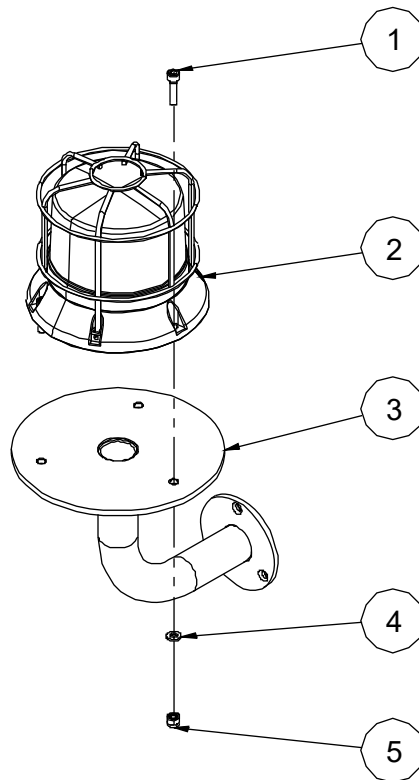
131.1 Link Guard and Ladder

Item	Part No.	Description	Qty.
1	10003904	Side link guard assembly	1
--	10003905	Side link guard weldment	1
--	10003913	Upper plate	1
--	10003912	Lower plate	1
--	00001991	Rivet GB/T 12618.4 4.8×16	34
2	00000623	Nut GB/T 6182 M10	30
3	00000615	Washer GB/T 97.1 10	60
4	00001984	Bolt GB/T 5782 M10×60	10
5	00000683	Bolt GB/T 5783 M10×30	10
6	00000605	Washer GB/T 97.1 5	8
7	00000606	Washer GB/T 93 5	8
8	00003949	Bolt GB/T 5783 M5×16	8
9	10015182	Ladder cover	2
10	00001033	Nut GB/T 6182 M6	3
11	00000620	Washer GB/T 97.1 6	3
12	00000832	Screw GB/T 70.3 M6×25	3
13		Beacon assembly (refer to 132.1)	1
14	10015184	Ladder	1
		Ladder assembly (option) (refer to 133.1)	1
15	00001257	Nut GB/T 6182 M16	4
16	00000997	Washer GB/T 97.1 16	6
17	00001161	Bolt GB/T 5783 M16×40	4
18	10003808	Ladder bracket	1
19	00000684	Bolt GB/T 5783 M10×35	10
20	10003915	Rear link guard assembly	1
--	10003916	Rear link guard weldment	1
--	10003920	Rear plate	1
--	00001991	Rivet GB/T 12618.4 4.8×16	20
21	10015795	Oil cooler cover	1

131.1 Link Guard and Ladder

Item	Part No.	Description	Qty.
22		Ladder and oil cooler assembly (refer to 134.1)	1
23	00000679	Washer GB/T 93 10	4
24	00001028	Washer GB/T 96.1 10	4
25	00003071	Washer GB/T 96.1 16	2
26	00001249	Nut GB/T 6182 M12	4
27	00000814	Washer GB/T 97.1 12	8
28	00002059	Bolt GB/T 5783 M12×30	4
29	10003914	Side link guard assembly	1
--	10003905	Side link guard weldment	1
--	10003913	Upper plate	1
--	10003912	Lower plate	1
--	00001991	Rivet GB/T 12618.4 4.8×16	34
30		Alternator assembly (option) (refer to 135.1)	1
31	00001040	Bolt GB/T 5782 M10×100	4
32	10003894	Front link guard assembly	1
--	10003895	Front link guard weldment	1
--	10003903	Front plate	1
--	00001991	Rivet GB/T 12618.4 4.8×16	26
33	10003927	Front link guard bracket	1
34	10003926	Front link guard bracket	1

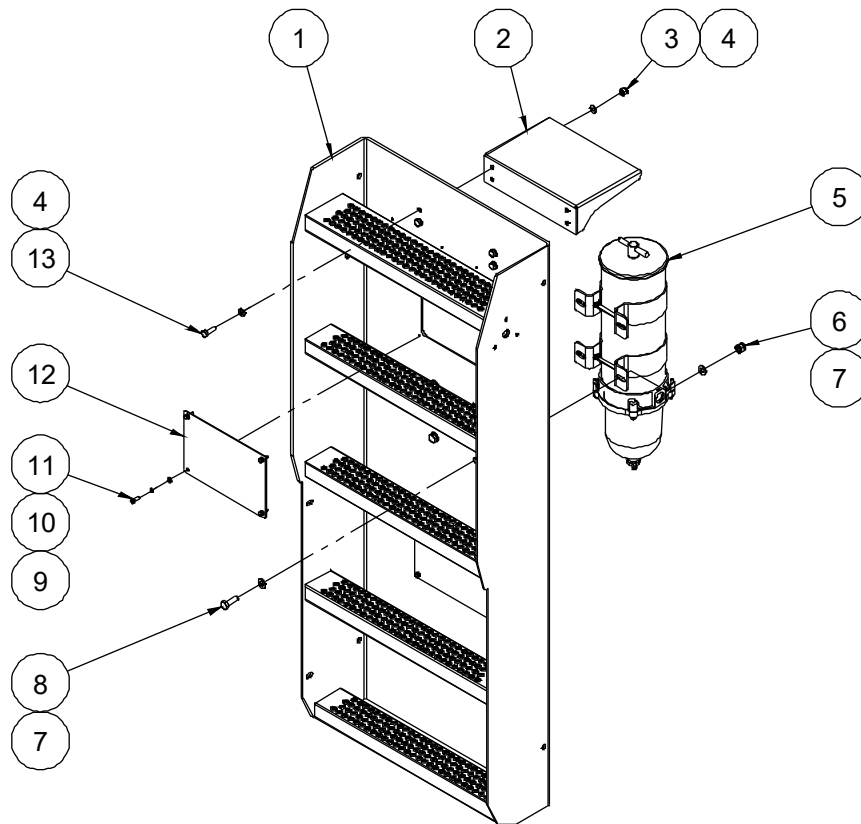
132.1 Beacon Assembly



132.1 Beacon Assembly

Item	Part No.	Description	Qty.
1	00001034	Screw GB/T 70.1 M6×25	3
2	00004883	Beacon	1
3	10005463	Beacon bracket weldment	1
4	00000620	Washer GB/T 97.1 6	3
5	00001033	Nut GB/T 6182 M6	3

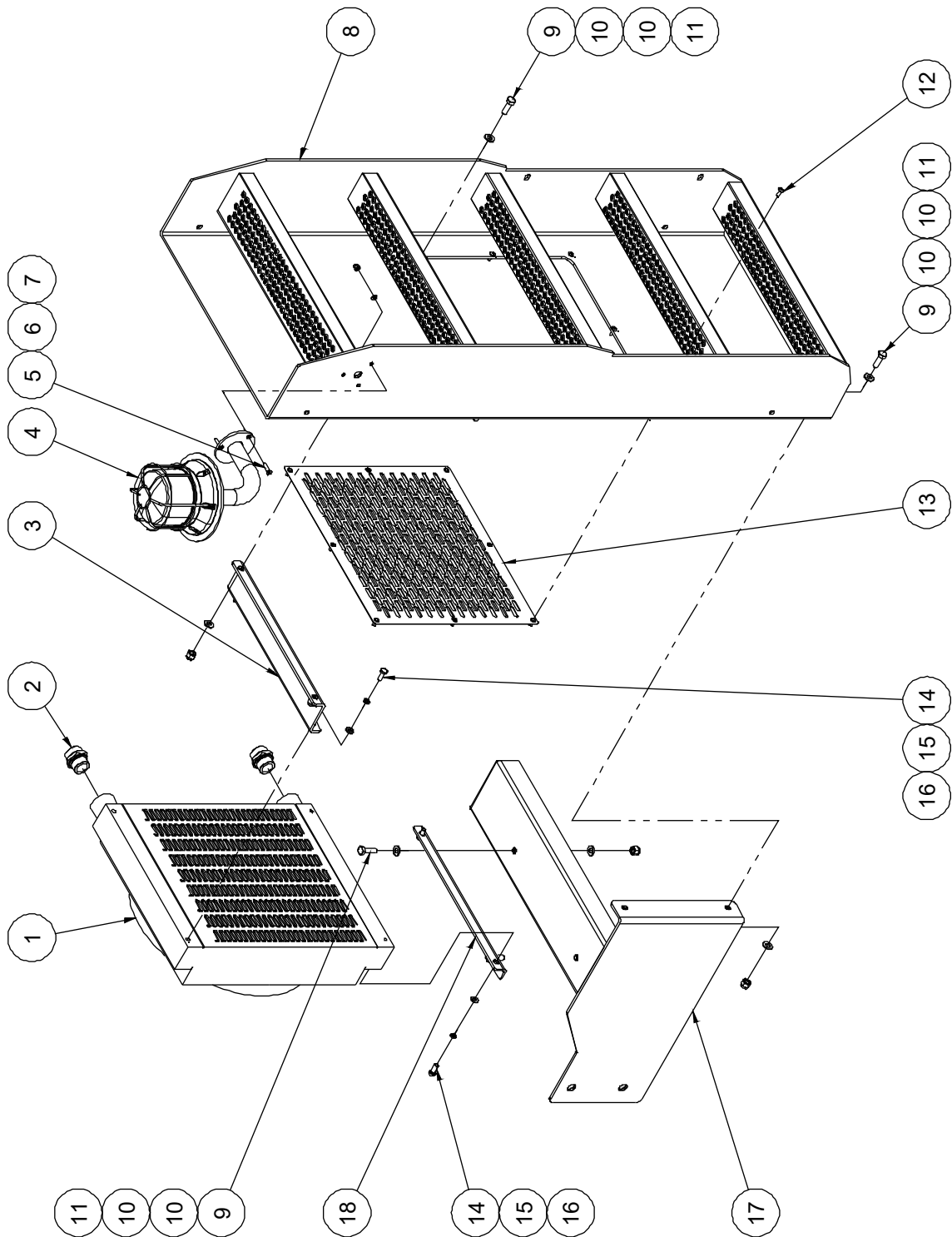
133.1 Ladder Assembly (Option)



133.1 Ladder Assembly (Option)

Item	Part No.	Description	Qty.
1	10015184	Ladder	1
2	10015183	Cover	1
3	00001163	Nut GB/T 6182 M8	4
4	00000608	Washer GB/T 97.1 8	8
5	92000170	Oil-water separator	1
6	00000623	Nut GB/T 6182 M10	4
7	00000615	Washer GB/T 97.1 10	8
8	00000683	Bolt GB/T 5783 M10×30	4
9	00000605	Washer GB/T 97.1 5	8
10	00000606	Washer GB/T 93 5	8
11	00003949	Bolt GB/T 5783 M5×16	8
12	10015182	Cover	2
13	00000993	Bolt GB/T 5783 M8×25	4

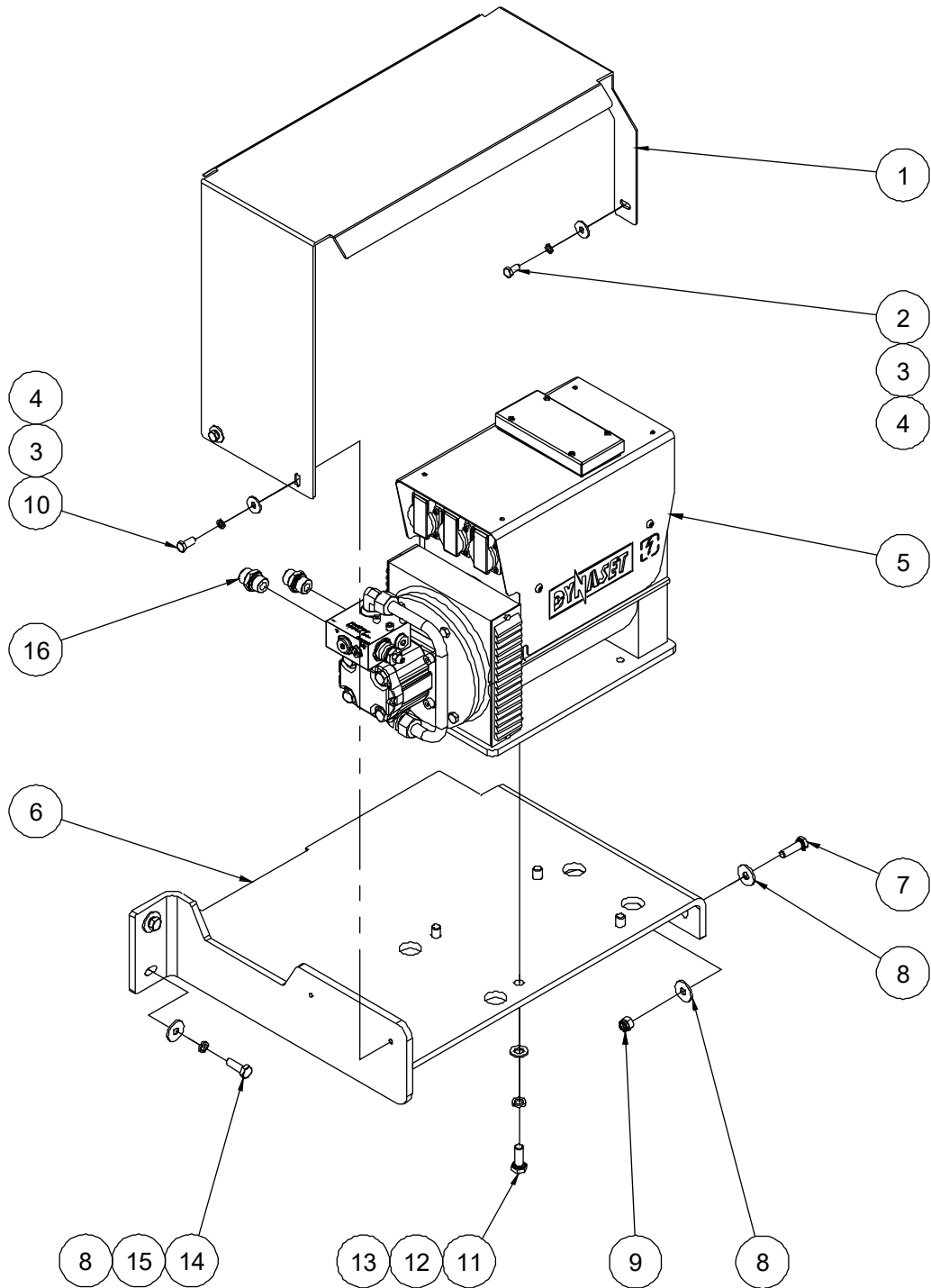
134.1 Ladder and Oil Cooler Assembly



134.1 Ladder and Oil Cooler Assembly

Item	Part No.	Description	Qty.
1	00003941	Oil cooler	1
2	00002071	Straight fitting	2
3	10003775	Oil cooler mount plate	1
4		Beacon assembly (refer to 132.1)	1
5	00000832	Screw GB/T 70.3 M6×25	3
6	00000620	Washer GB/T 97.1 6	6
7	00001033	Nut GB/T 6182 M6	6
8	10003753	Ladder	1
9	00000683	Bolt GB/T 5783 M10×30	6
10	00000615	Washer GB/T 97.1 10	12
11	00000623	Nut GB/T 6182 M10	6
12	00002523	Screw GB/T 973 M5×16	8
13	10015019	Oil cooler cover	1
14	00000875	Bolt GB/T 5783 M8×20	4
15	00000609	Washer GB/T 93 8	4
16	00000608	Washer GB/T 97.1 8	4
17	10003771	Oil cooler bracket weldment	1
18	10003774	Oil cooler mount plate	1

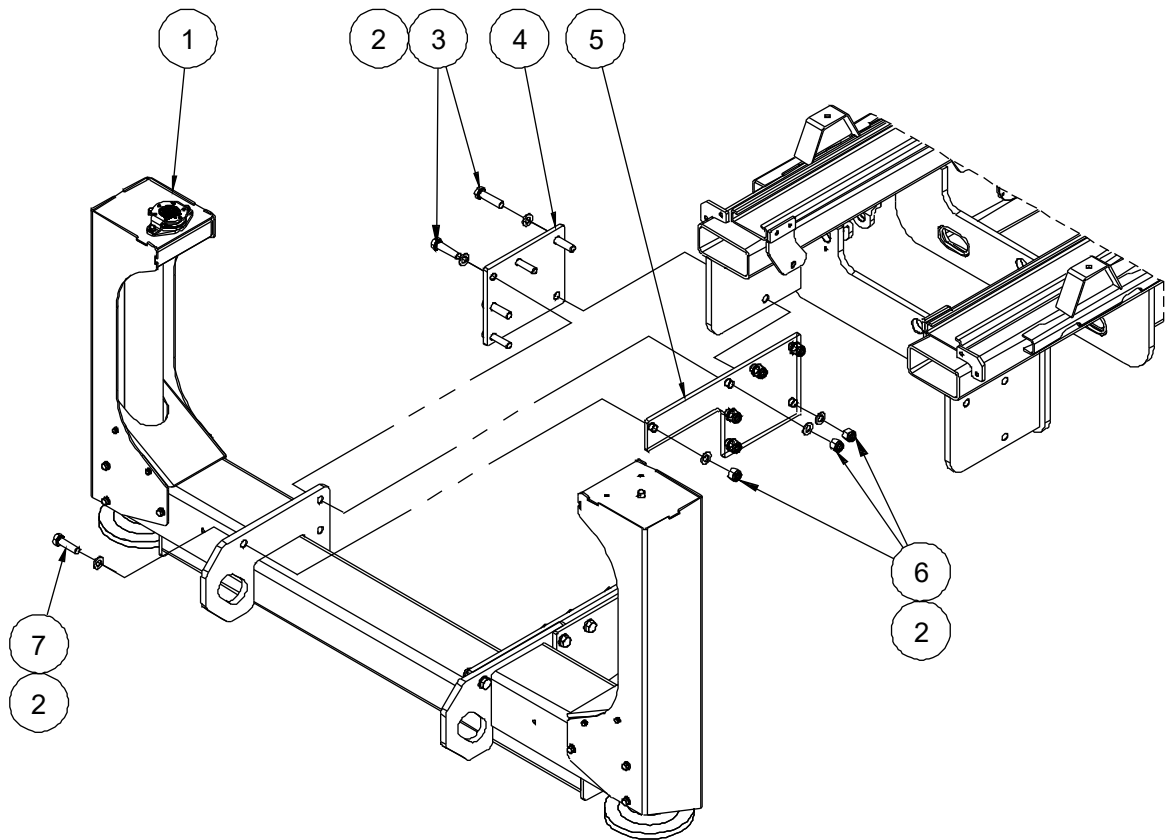
135.1 Alternator Assembly (Option)



135.1 Alternator Assembly (Option)

Item	Part No.	Description	Qty.
1	10018136	Cover	1
2	00001063	Bolt GB/T 5783 M8×16	2
3	00000609	Washer GB/T 93 8	4
4	00002000	Washer GB/T 96.1 8	4
5	00008004	Alternator (110V)	1
	00008094	Alternator (220V)	1
6	10018245	Alternator bracket	1
7	00000684	Bolt GB/T 5783 M10×35	2
8	00001028	Washer GB/T 96.1 10	6
9	00000623	Nut GB/T 6182 M10	2
10	00000875	Bolt GB/T 5783 M8×20	2
11	00002059	Bolt GB/T 5783 M12×30	4
12	00000815	Washer GB/T 93 12	4
13	00000814	Washer GB/T 97.1 12	4
14	00000683	Bolt GB/T 5783 M10×30	2
15	00000679	Washer GB/T 93 10	2
16	00001506	Straight fitting	2

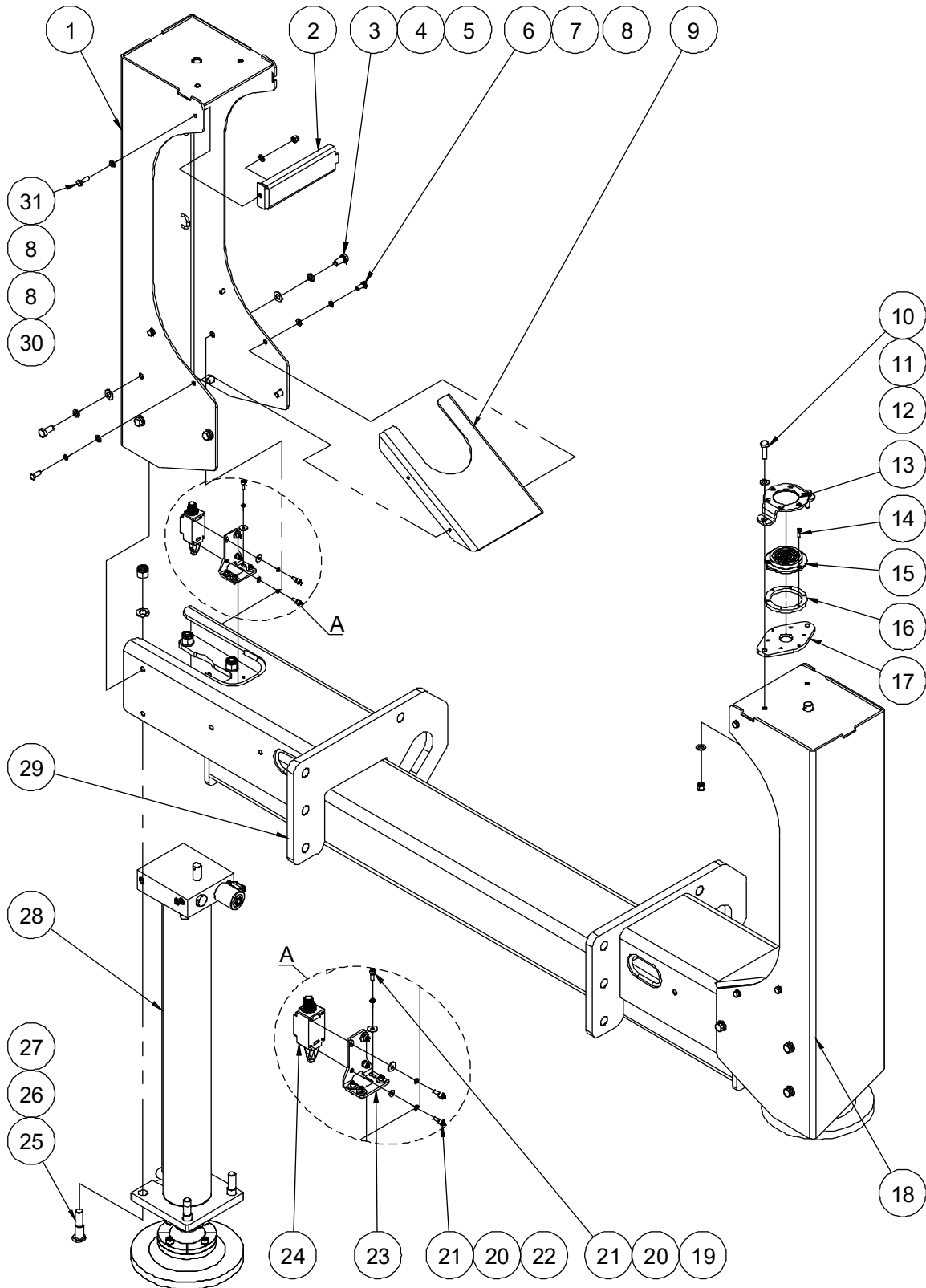
136.1 Outrigger Installation



136.1 Outrigger Installation

Item	Part No.	Description	Qty.
1		Outrigger assembly (refer to 137.1)	1
2	00001050	Washer GB/T 97.1 20	28
3	00004231	Bolt GB/T 5782 M20×80	12
4	10003831	Outrigger mount plate	2
5	10003830	Outrigger mount plate	2
6	00001051	Nut GB/T 6182 M20	14
7	00003606	Bolt GB/T 5782 M20×70	2

137.1 Outrigger Assembly



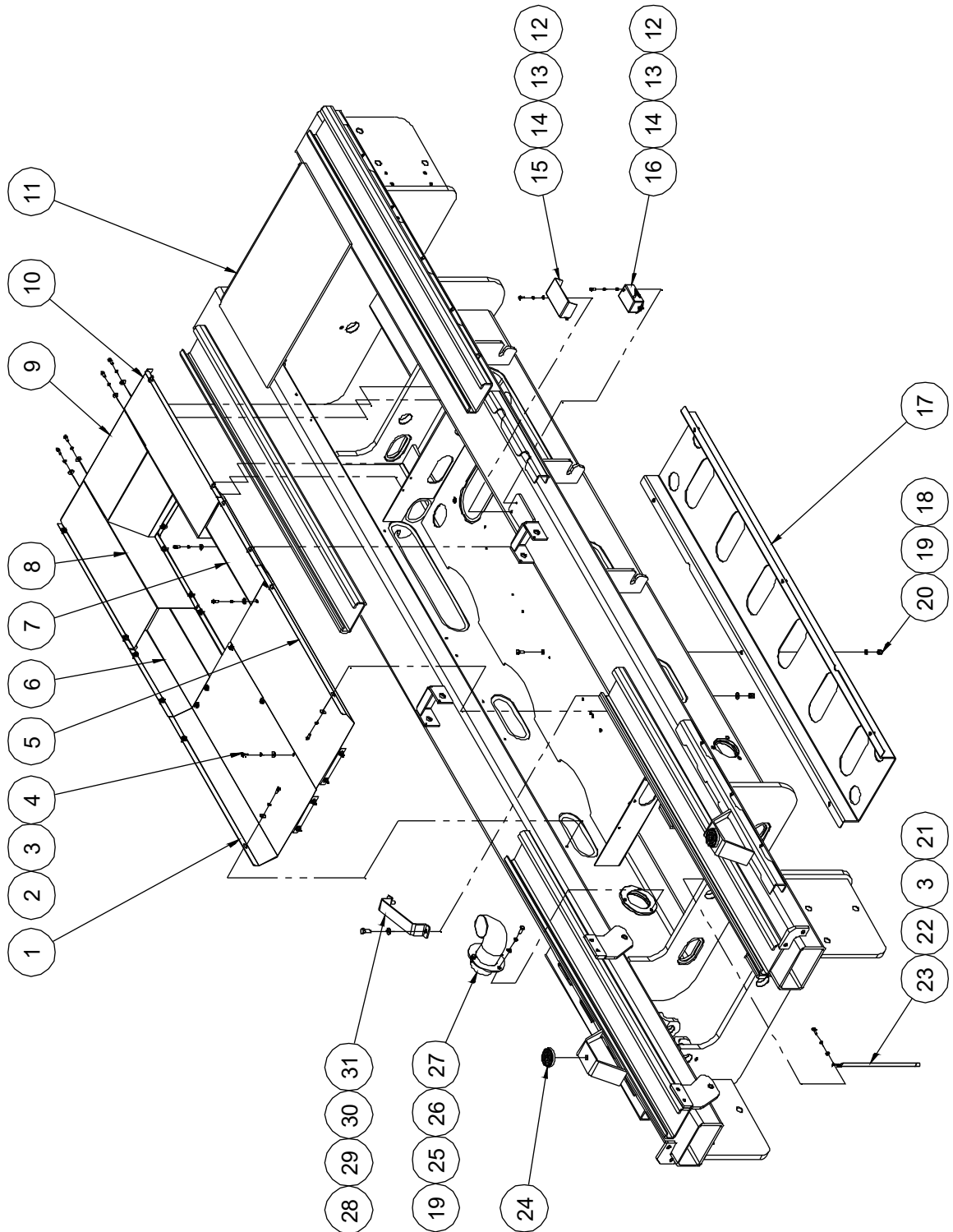
137.1 Outrigger Assembly

Item	Part No.	Description	Qty.
1	10004324	Outrigger housing	1
2	10004320	Cover	2
3	00000816	Bolt GB/T 5783 M12×25	12
4	00000815	Washer GB/T 93 12	12
5	00000814	Washer GB/T 97.1 12	12
6	00000875	Bolt GB/T 5783 M8×20	8
7	00000609	Washer GB/T 93 8	8
8	00000608	Washer GB/T 97.1 8	12
9	10004326	Cover	2
10	00000684	Bolt GB/T 5783 M10×35 (option)	2
11	00000615	Washer GB/T 97.1 10 (option)	4
12	00000623	Nut GB/T 6182 M10 (option)	2
13	10004260	Bubble level cover (option)	1
14	00001246	Screw GB/T 70.1 M5×16 (option)	3
15	10004259	Bubble level (option)	1
16	10004271	Rubber pad (option)	1
17	10003797	Bubble level mount plate (option)	1
18	10004321	Outrigger housing	1
19	00002583	Washer GB/T 96.1 6	12
20	00000621	Washer GB/T 93 6	15
21	00000876	Screw GB/T 70.1 M6×16	16
22	00000620	Washer GB/T 97.1 6	4
23	10003845	Switch bracket	2
24	00000750	Limit switch	2
25	10003839	Screw	8
26	00000997	Washer GB/T 97.1 16	8
27	00001257	Nut GB/T 6182 M16	8
28		Outrigger cylinder assembly (without seal kit) (refer to 405.1, 405.2)	2

137.1 Outrigger Assembly

Item	Part No.	Description	Qty.
29	10003823	Outrigger yoke	1
30	00001163	Nut GB/T 6182 M8	2
31	00000993	Bolt GB/T 5783 M8×25	2

138.1 Chassis Accessory Installation



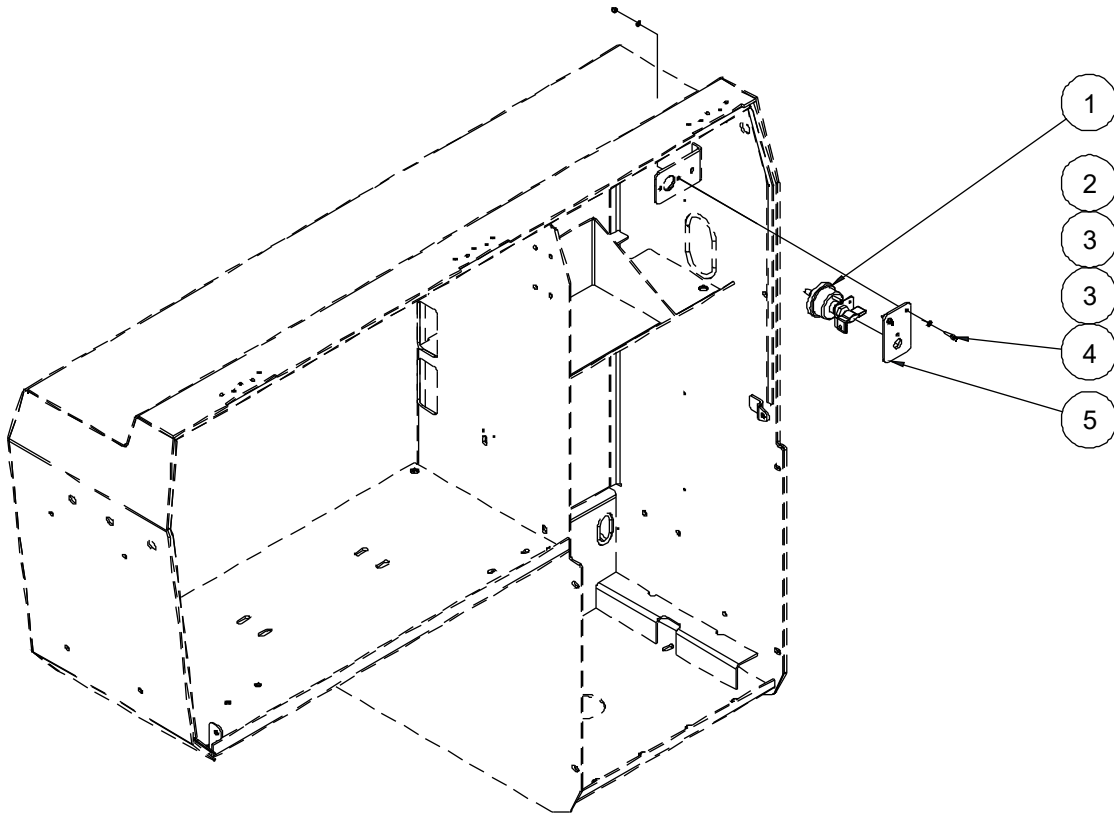
138.1 Chassis Accessory Installation

Item	Part No.	Description	Qty.
1	10003878	Cover	1
2	00002583	Washer GB/T 96.1 6	37
3	00000621	Washer GB/T 93 6	38
4	00000876	Screw GB/T 70.1 M6×16	37
5	10003891	Cover	1
6	10003879	Cover	1
7	10003888	Cover	1
8	10003882	Cover	1
9	10003885	Cover	1
10	10003886	Cover	1
11	10019069	Frame weldment	1
12	00000605	Washer GB/T 97.1 5	4
13	00000606	Washer GB/T 93 5	4
14	00001252	Screw GB/T 70.1 M5×12	4
15	10003942	Tilt sensor cover	1
16	00003962	Tilt sensor	1
17	10003929	Hose box	1
18	00000838	Screw GB/T 70.3 M8×25	6
19	00000608	Washer GB/T 97.1 8	9
20	00001163	Nut GB/T 6182 M8	6
21	00000620	Washer GB/T 97.1 6	1
22	00000743	Bolt GB/T 5783 M6×20	1
23	10002979	Ground strap	1
24	10003263	Block	2
25	00000609	Washer GB/T 93 8 (EU stage V engine)	3
26	00000875	Bolt GB/T 5783 M8×20 (EU stage V engine)	3
27	10003943	Exhaust pipe weldment (EU stage V engine)	1
28	00000623	Nut GB/T 6182 M10	2
29	00000615	Washer GB/T 97.1 10	4

138.1 Chassis Accessory Installation

Item	Part No.	Description	Qty.
30	00000678	Bolt GB/T 5783 M10×25	2
31	10003928	Hose clamp	1

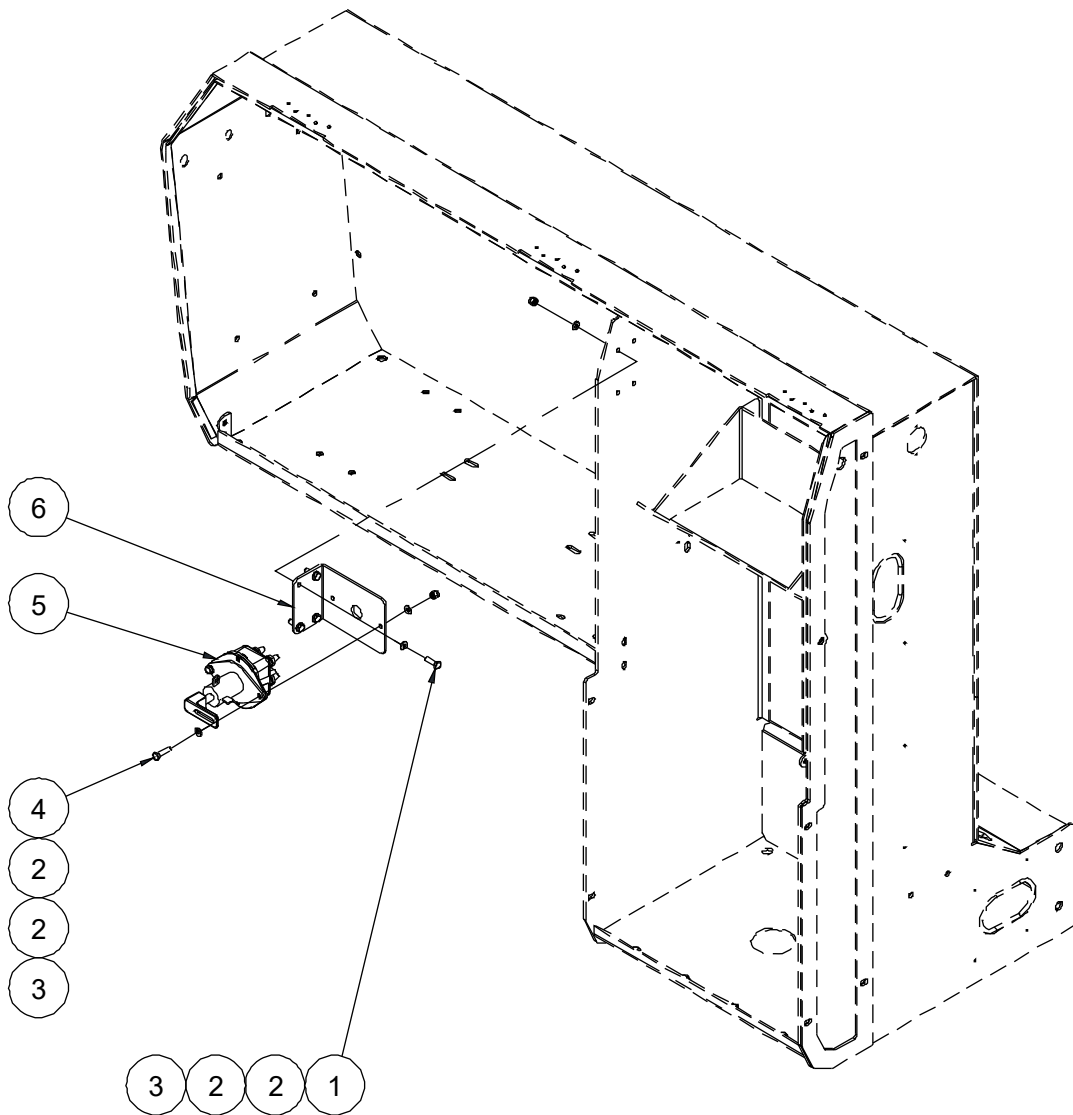
139.1 Dual power switch assembly



139.1 Dual power switch assembly

Item	Part No.	Description	Qty.
1	00010223	Power switch	1
2	00000613	Nut GB/T 6182 M5	2
3	00000605	Washer GB/T 97.1 5	4
4	00000817	Screw GB/T 70 M5×20	2
5	10017889	Bracket	1

140.1 Dual power switch assembly

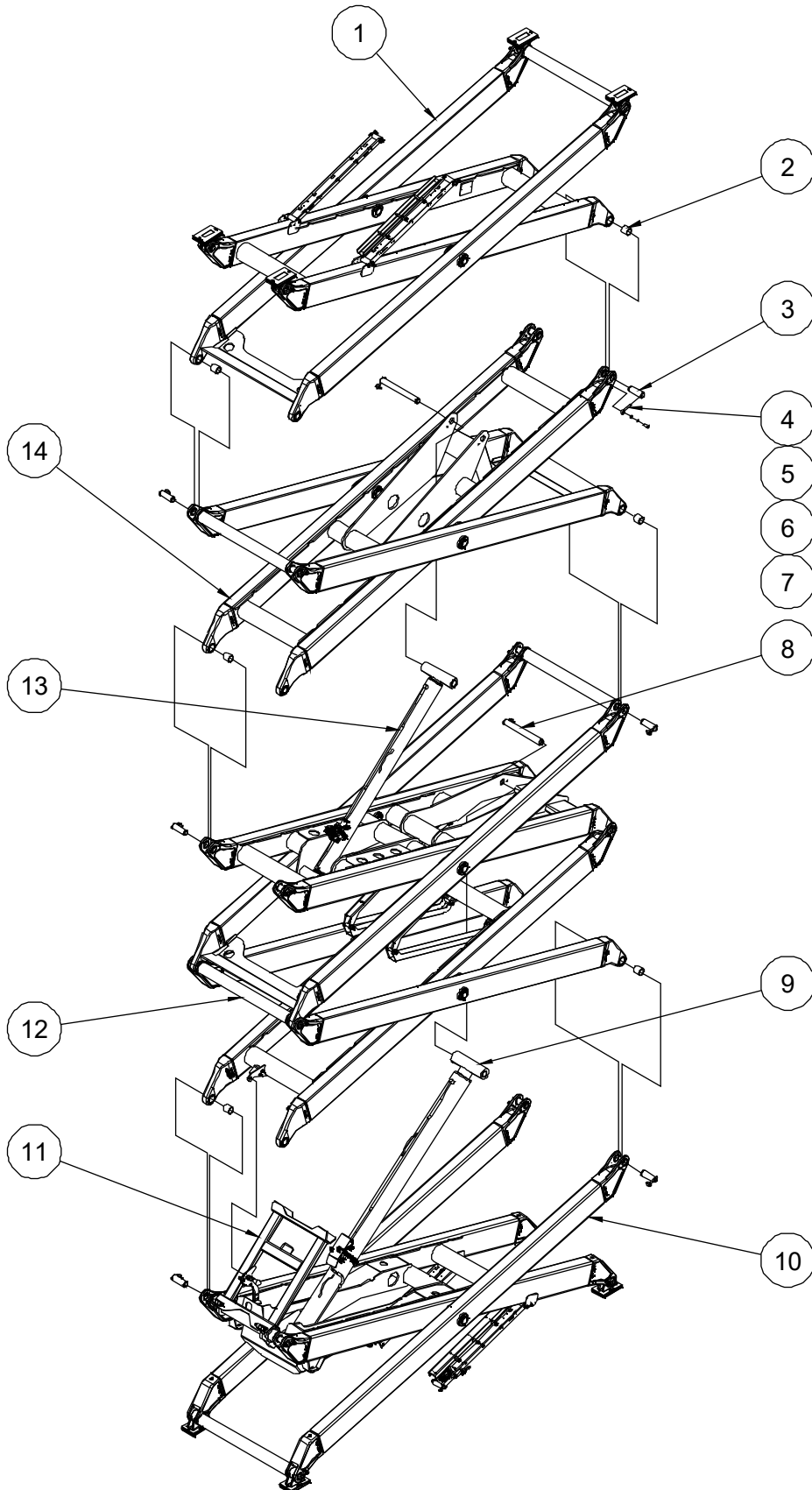


140.1 Dual power switch assembly

Item	Part No.	Description	Qty.
1	00000993	Bolt GB/T 5783 M8×25	4
2	00000608	Washer GB/T 97.1 8	12
3	00001163	Nut GB/T 6182 M8	6
4	00000995	Bolt GB/T 5783 M8×30	2
5	00010313	Power switch assembly	1
--	00010171	Power switch	1
--	00010287	Power switch	1
6	10023496	Bracket	1

Section 2 Scissor

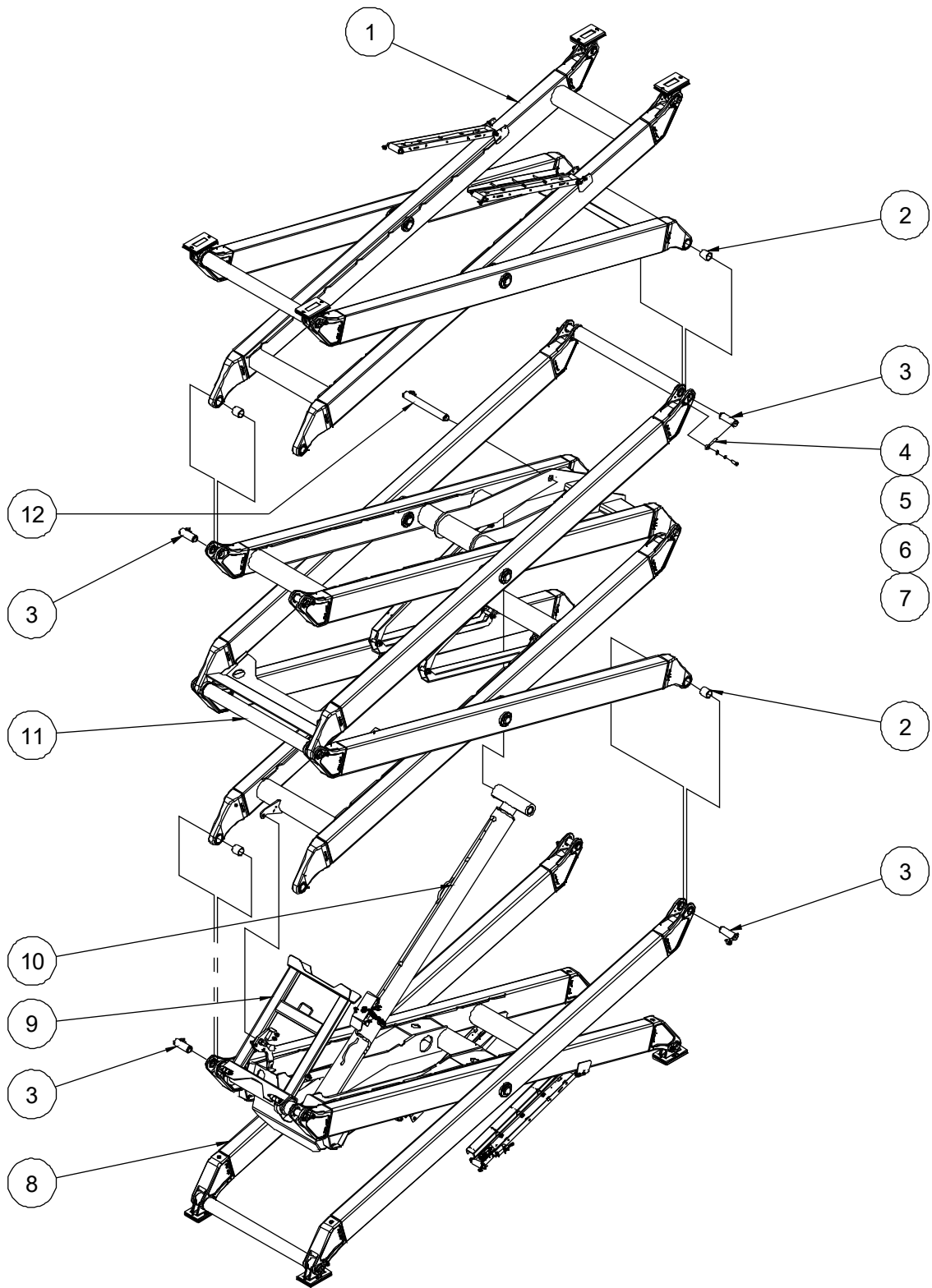
201.1 Scissor Assembly (JCPT1823RTB)



201.1 Scissor Assembly (JCPT1823RTB)

Item	Part No.	Description	Qty.
1		Scissor arm assembly 5 (refer to 202.1)	1
2	00000423	8813-455555 Bearing	12
3	00003841	896B-45×120.5 Pin	12
4	00002464	8902-12085 Pin	16
5	00000814	Washer GB/T 97.1 12	16
6	00000815	Washer GB/T 93 12	16
7	00001055	Bolt GB/T 5783 M12×40	16
8	00000578	896-45×373.5 Pin	4
9		Lower lift cylinder assembly (without seal kit) (refer to 401.1)	1
10		Scissor arm assembly 1 (refer to 204.1)	1
11		Safety arm assembly (refer to 205.1)	1
12		Scissor arm assembly 2-3 (JCPT1823RTB) (refer to 206.1)	1
13		Upper lift cylinder assembly (without seal kit) (refer to 402.1)	1
14		Scissor arm assembly 4 (JCPT1823RTB) (refer to 209.1)	1

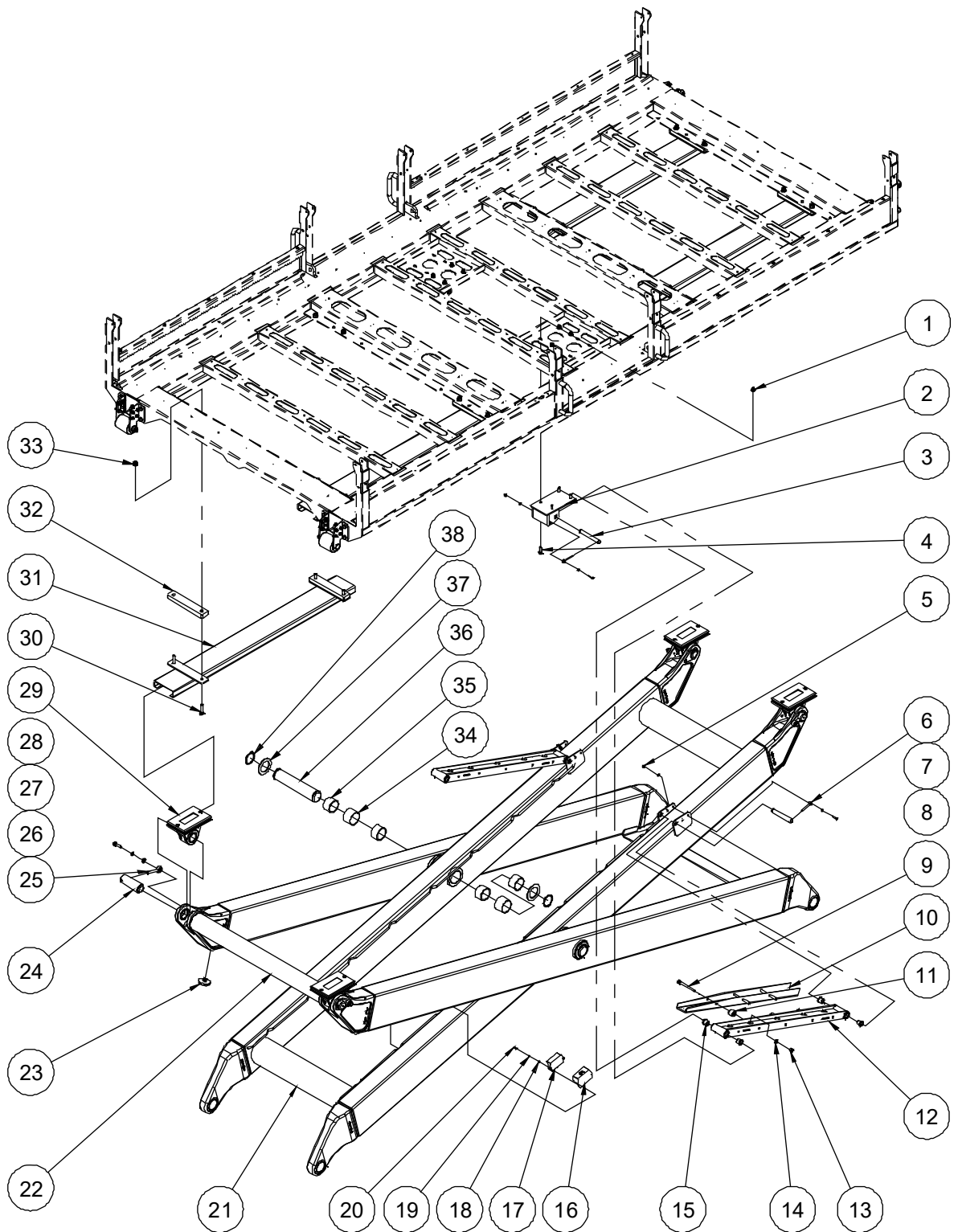
201.2 Scissor Assembly (JCPT1523RTB)



201.2 Scissor Assembly (JCPT1523RTB)

Item	Part No.	Description	Qty.
1		Scissor arm assembly 5 (refer to 202.1)	1
2	00000423	8813-455555 Bearing	8
3	00003841	896B-45×120.5 Pin	8
4	00002464	8902-12085 Pin	10
5	00000814	Washer GB/T 97.1 12	10
6	00000815	Washer GB/T 93 12	10
7	00001055	Bolt GB/T 5783 M12×40	10
8		Scissor arm assembly 1 (refer to 204.1)	1
9		Safety arm assembly (refer to 205.1)	1
10		Lower lift cylinder assembly (without seal kit) (refer to 401.1)	1
11		Scissor arm assembly 2-3 (JCPT1523RTB) (refer to 208.1)	1
12	00000578	896-45×373.5 Pin	2

202.1 Scissor Arm Assembly 5



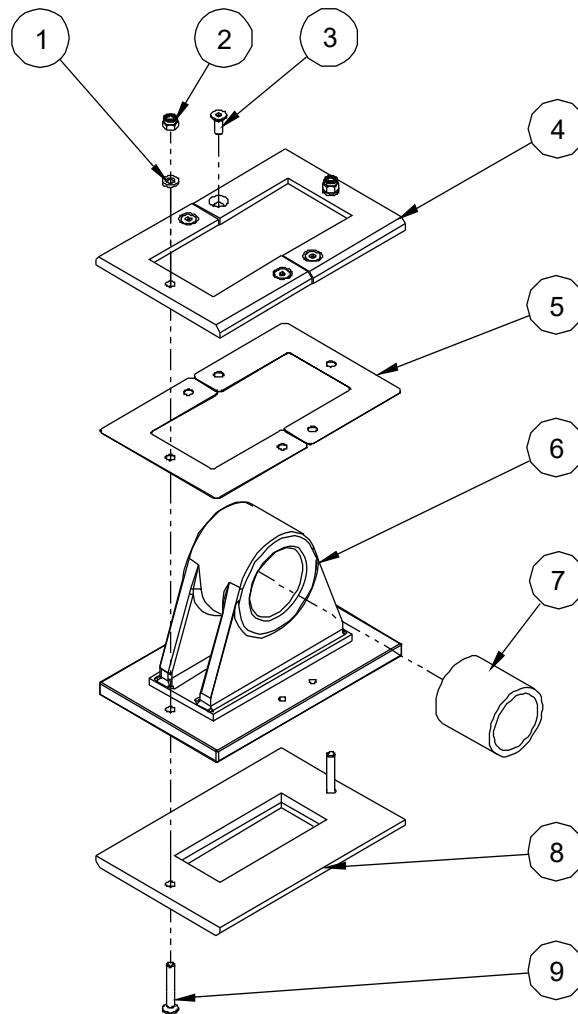
202.1 Scissor Arm Assembly 5

Item	Part No.	Description	Qty.
1	00002572	Nut GB/T 6183.1 M10	8
2	10004313	Link anchor platform weldment	2
3	00000572	896-20128 Pin	4
4	00000683	Bolt GB/T 5783 M10×30	8
5	00001033	Nut GB/T 6182 M6	4
6	00000218	8902-06065 Pin	4
7	00000620	Washer GB/T 97.1 6	8
8	00000775	Bolt GB/T 5783 M6×30	4
9	00001037	Bolt GB/T 5782 M10×110	3
10	10003253	Cable bridge	1
11	10003255	Spacer	3
12	10003482	Centering link weldment	2
13	00000623	Nut GB/T 6182 M10	3
14	00000615	Washer GB/T 97.1 10	3
15	00000251	8822-20215 Bearing	8
16	10000251	Sensor cover (JCPT1823RTB)	1
17	00000695	Angle sensor (JCPT1823RTB)	1
18	00000778	Washer GB/T 97.1 4 (JCPT1823RTB)	2
19	00000779	Washer GB/T 93 4 (JCPT1823RTB)	2
20	00001054	Screw GB/T 70.1 M4×12 (JCPT1823RTB)	2
21	10018817	Inner arm V	1
22	10018819	Outer arm V	1
23	10018819	Block	4
24	00003841	896B-45×120.5 Pin	4
25	00002464	8902-12085 Pin	4
26	00000814	Washer GB/T 97.1 12	4
27	00000815	Washer GB/T 93 12	4
28	00001055	Bolt GB/T 5783 M12×40	4
29		Slider assembly (refer to 203.1)	4

202.1 Scissor Arm Assembly 5

Item	Part No.	Description	Qty.
30	00001856	Bolt GB/T 5783 M12×50 (JCPT1523RTB)	16
	00002059	Bolt GB/T 5783 M12×30 (JCPT1823RTB)	16
31	10004310	Slider channel	4
32	10005037	Shim plate (JCPT1523RTB)	8
33	00002576	Nut GB/T 6183.1 M12	16
34	10003252	Spacer sleeve	4
35	00000430	8813-607040 Bearing	8
36	00000087	899-60268 Pin	2
37	10003250	Washer	4
38	00000953	Circlips GB/T 894.1-60	4

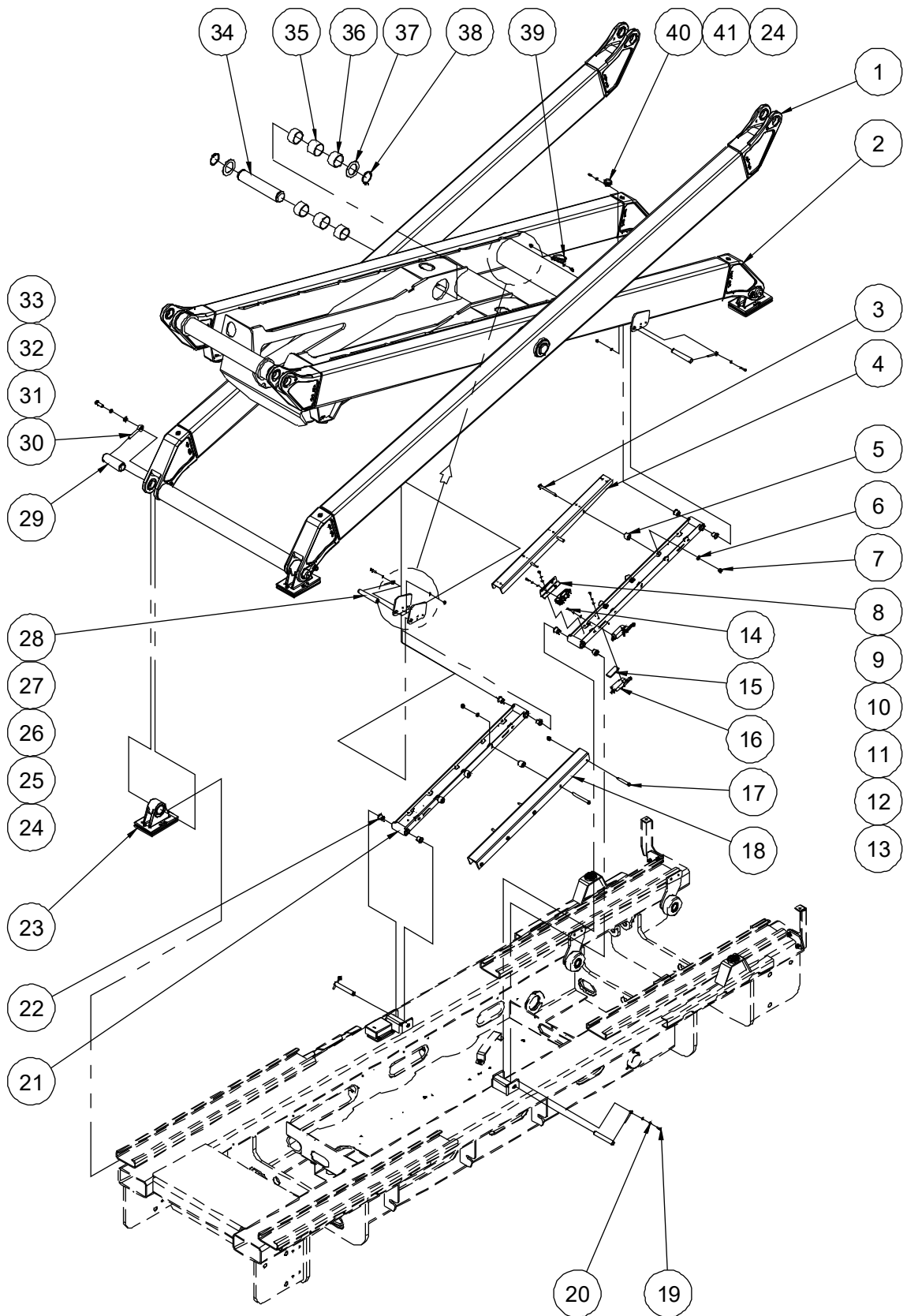
203.1 Slider Assembly



203.1 Slider Assembly

Item	Part No.	Description	Qty.
1	00000620	Washer GB/T 97.1 6	2
2	00001033	Nut GB/T 6182 M6	2
3	00000830	Screw GB/T 70.3 M6×16	4
4	10003118	Upper slider	2
5	10003120	Adjusting plate	2
6	10003117	Slider foot weldment	1
7	00000423	8813-455555 Bearing	1
8	10003119	Lower slider	1
9	00000834	Screw GB/T 70.3 M6×40	2

204.1 Scissor Arm Assembly 1



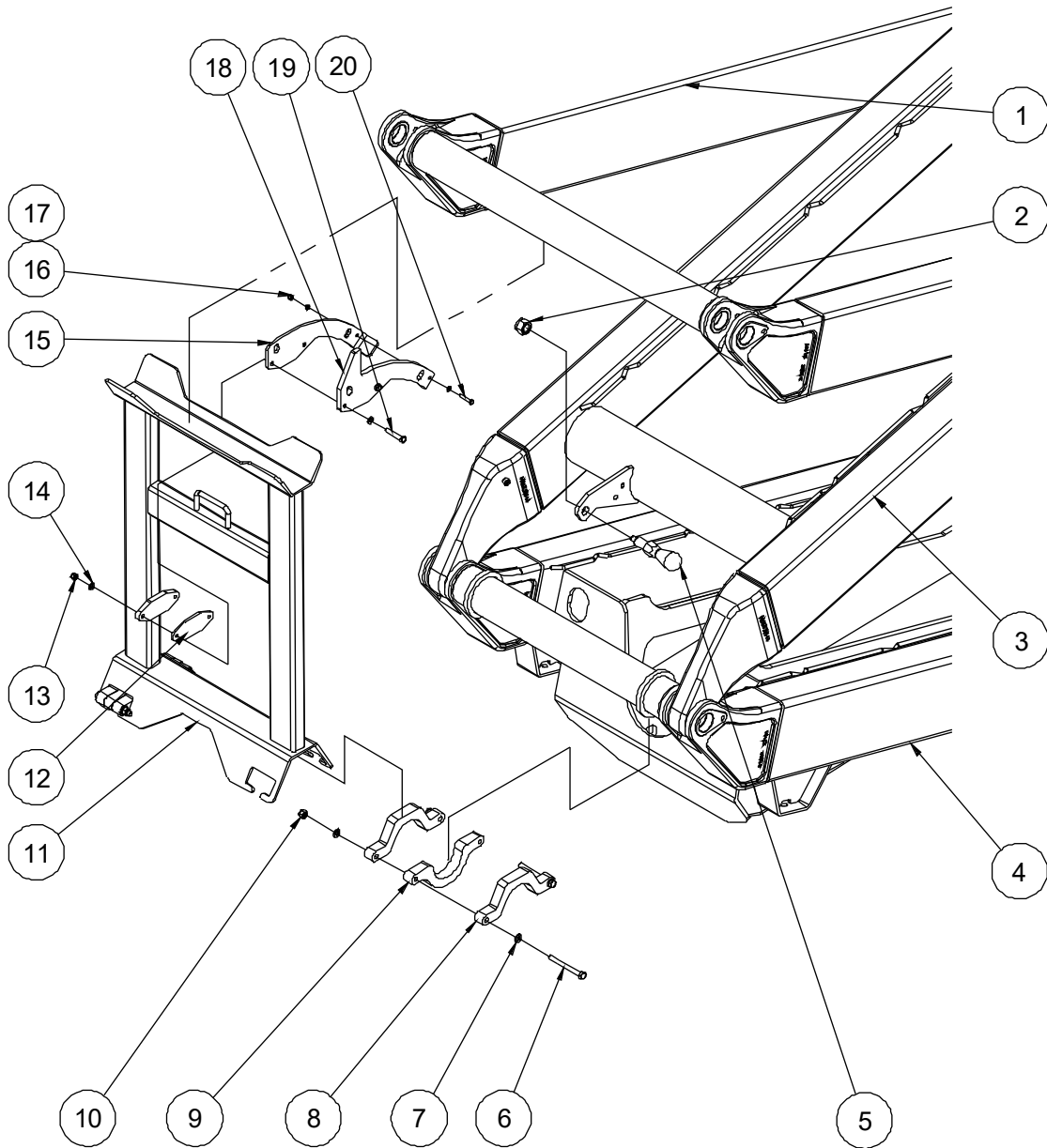
204.1 Scissor Arm Assembly 1

Item	Part No.	Description	Qty.
1	10018807	Outer arm I	1
2	10018803	Inner arm I	1
3	00001037	Bolt GB/T 5782 M10×110	6
4	10003253	Cable bridge	1
5	10003255	Spacer	6
6	00000615	Washer GB/T 97.1 10	6
7	00000623	Nut GB/T 6182 M10	8
8	10003261	Switch bracket	1
9	00000748	Limit switch	1
10	00001252	Screw GB/T 70.1 M5×12	3
11	00000817	Screw GB/T 70.1 M5×20 (JCPT1823RTB)	3
12	00000605	Washer GB/T 97.1 5 (JCPT1823RTB)	8
	00000605	Washer GB/T 97.1 5 (JCPT1823RTB)	6
13	00000606	Washer GB/T 93 5 (JCPT1823RTB)	8
	00000606	Washer GB/T 93 5 (JCPT1823RTB)	6
14	00001246	Screw GB/T 70.1 M5×16	2
15	10003262	Switch bracket (JCPT1823RTB)	1
16	00002354	Limit switch (JCPT1823RTB)	2
	00002354	Limit switch (JCPT1823RTB)	1
17	00001027	Bolt GB/T 5782 M10×80	2
18	10003254	Cable bridge	1
19	00000818	Bolt GB/T 5783 M6×16	2
20	00000621	Washer GB/T 93 6	2
21	10003113	Centering link weldment	2
22	00000251	8822-20215 Bearing	8
23		Slider assembly (refer to 204.1)	4
24	00000572	896-20128 Pin	4
25	00000218	8902-06065 Pin	4
26	00000775	Bolt GB/T 5783 M6×30	2

204.1 Scissor Arm Assembly 1

Item	Part No.	Description	Qty.
27	00000620	Washer GB/T 97.1 6	8
28	00001033	Nut GB/T 6182 M6	2
29	00003841	896B-45×120.5 Pin	4
30	00002464	8902-12085 Pin	4
31	00000814	Washer GB/T 97.1 12	4
32	00000815	Washer GB/T 93 12	4
33	00001055	Bolt GB/T 5783 M12×40	4
34	00000087	899-60268 Pin	2
35	10003252	Spacer sleeve	4
36	00000430	8813-607040 Bearing	8
37	10003250	Washer	4
38	00000953	Circlips GB/T 894.1-60	4
39	10005186	Clamp	1
40	10005613	Clamp	1
41	00002029	Screw GB/T 70.1 M6×12	2

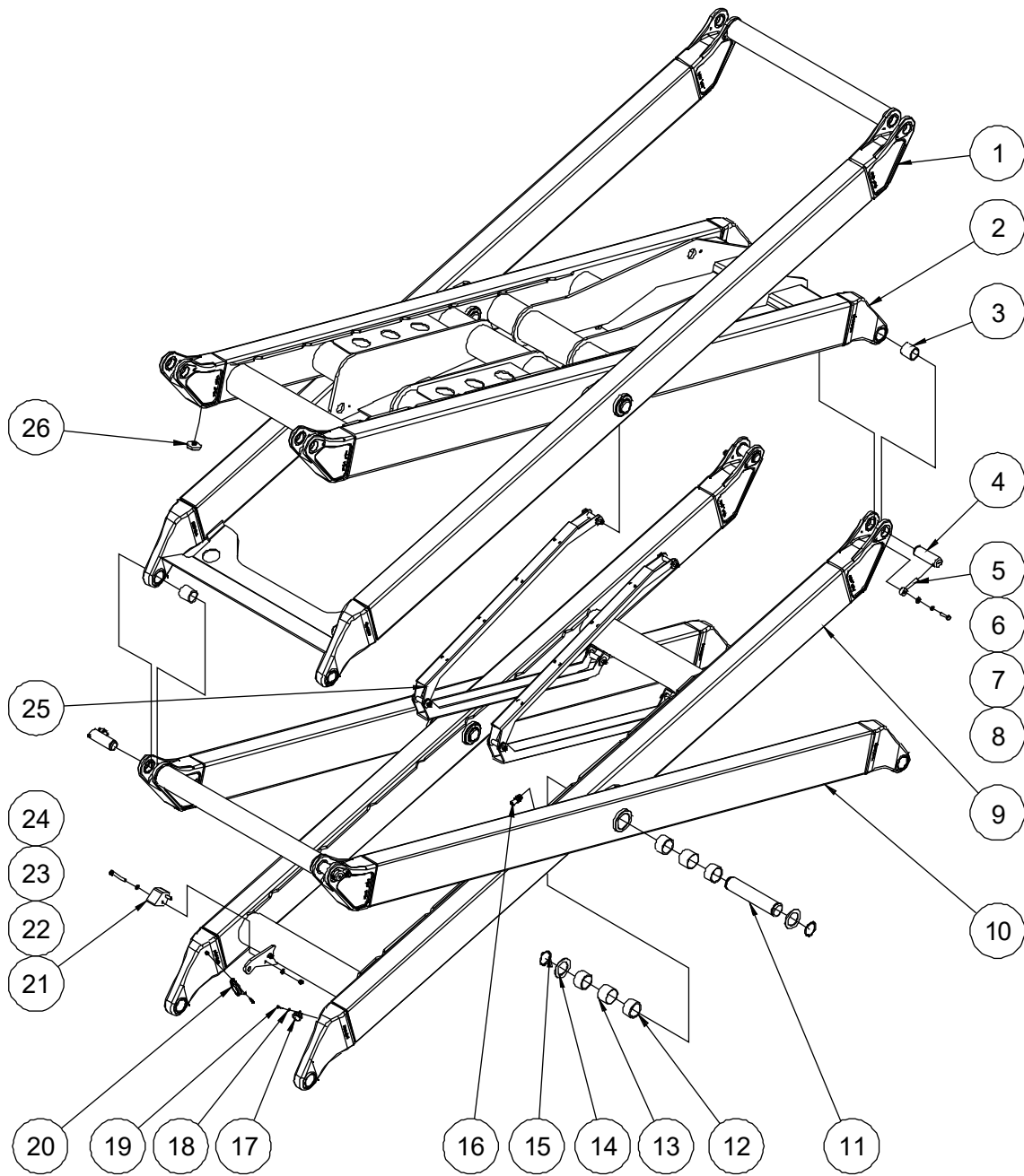
205.1 Safety Arm Assembly



205.1 Safety Arm Assembly

Item	Part No.	Description	Qty.
1	10018809	Outer arm II	1
2	00003604	Nut GB/T 889.2 M20×1.5	1
3	10018808	Inner arm II	1
4	10018803	Inner arm I	1
5	10003256	Lock pin assembly	1
--	10003257	Housing	1
--	10003258	Spring	1
--	10003259	Lock pin	1
--	10003260	knob	1
6	00001040	Bolt GB/T 5782 M10×100	4
7	00000615	Washer GB/T 97.1 10	8
8	10018841	Wear pad	4
9	10018840	Wear pad	2
10	00000623	Nut GB/T 6182 M10	4
11	10018834	Safety arm weldment	1
12	10026595	Washer	1
13	00001163	Nut GB/T 6182 M8	2
14	00000608	Washer GB/T 97.1 8	4
15	10018838	Safety arm lock plate	1
16	00001033	Nut GB/T 6182 M6	1
17	00000620	Washer GB/T 97.1 6	2
18	10018839	Slide surface	1
19	00003607	Bolt GB/T 5783 M8×50	2
20	00002895	Bolt GB/T 5783 M6×35	1

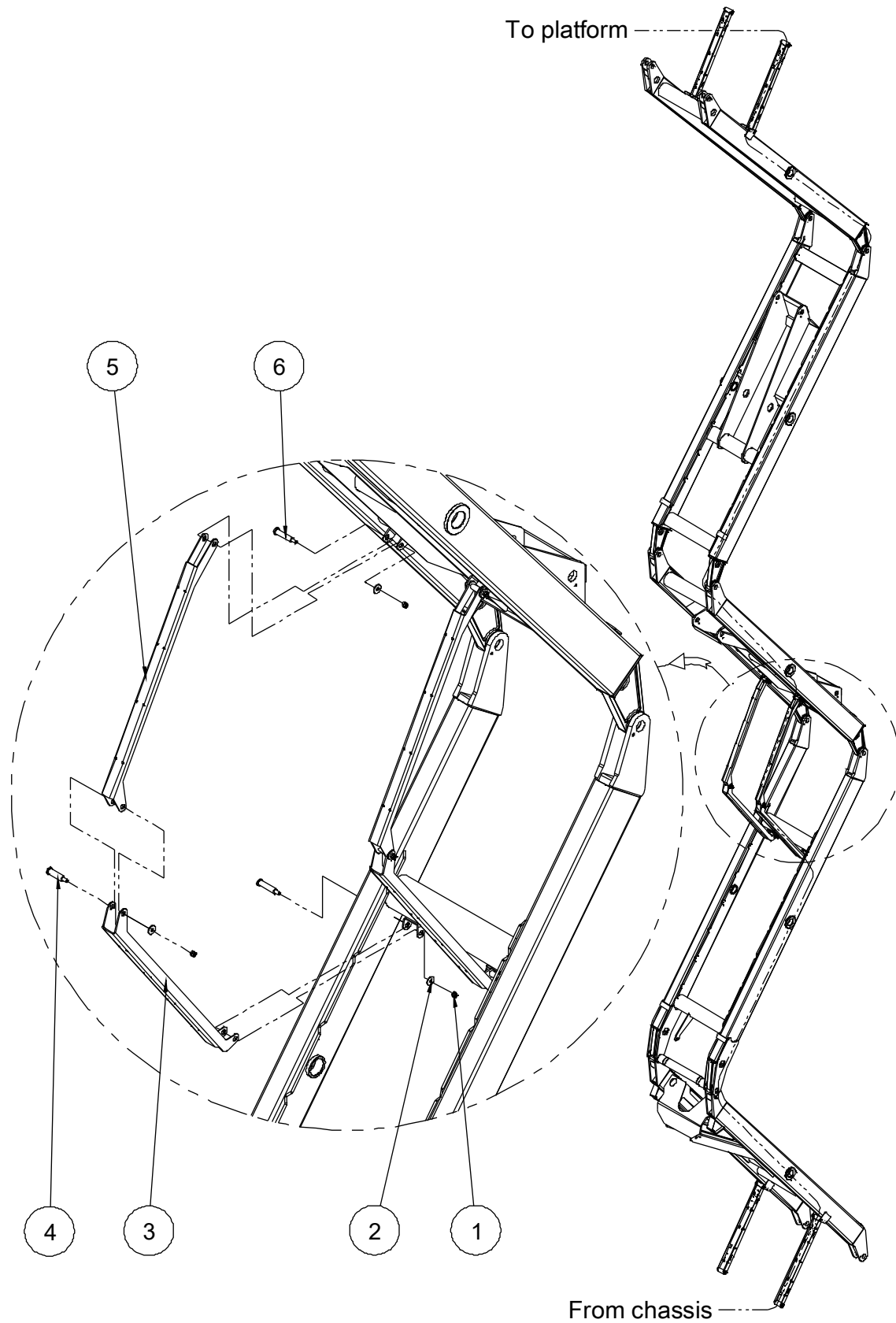
206.1 Scissor Arm Assembly 2-3 (JCPT1823RTB)



206.1 Scissor Arm Assembly 2-3 (JCPT1823RTB)

Item	Part No.	Description	Qty.
1	10018816	Outer arm III	1
2	10025387	Inner arm III	1
3	00000423	8813-455555 Bearing	4
4	00003841	896B-45×120.5 Pin	4
5	00002464	8902-12085 Pin	4
6	00000814	Washer GB/T 97.1 12	4
7	00000815	Washer GB/T 93 12	4
8	00001055	Bolt GB/T 5783 M12×40	4
9	10018808	Inner arm II	1
10	10018809	Outer arm II	1
11	00000087	899-60268 Pin	4
12	00000430	8813-607040 Bearing	16
13	10003252	Spacer sleeve	8
14	10003250	Washer	8
15	00000953	Circlips GB/T 894.1-60	8
16	00002137	Straight fitting	2
17	10005613	Clamp	1
18	00000620	Washer GB/T 97.1 6	2
19	00002029	Screw GB/T 70.1 M6×12	2
20	10005186	Clamp	1
21	10018850	Block	1
22	00001027	Bolt GB/T 5782 M10×80	2
23	00000615	Washer GB/T 97.1 10	4
24	00000623	Nut GB/T 6182 M10	2
25		Cable routing device assembly (refer to 207.1)	2
26	10018822	Block	/
	10026739	Block	/

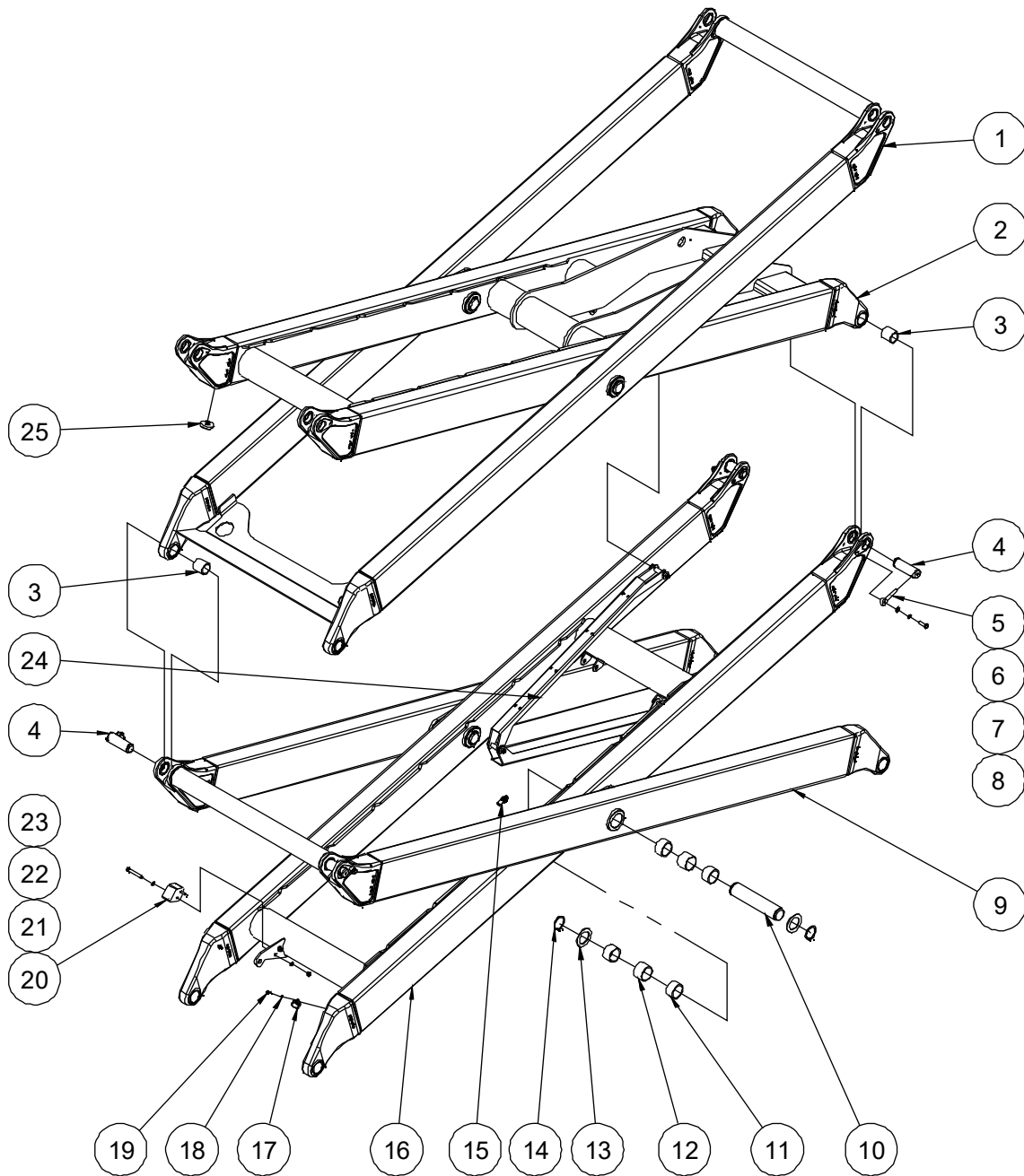
207.1 Cable Routing Device Assembly



207.1 Cable Routing Device Assembly

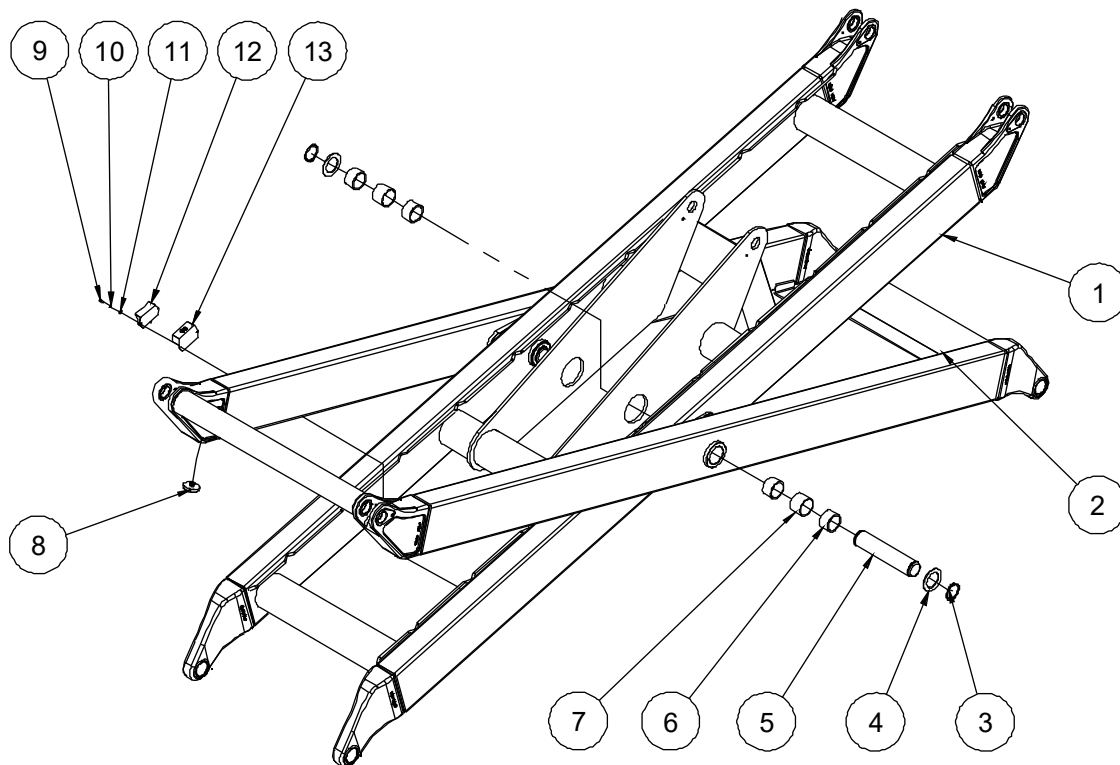
Item	Part No.	Description	Qty.
1	00001249	Nut GB/T 6182 M12	3
2	00002601	Washer GB/T 96.1 12	3
3	10003462	Cable bridge	1
4	10003464	Pin	1
5	10003461	Cable bridge	1
6	10003463	Pin	2

208.1 Scissor Arm Assembly 2-3 (JCPT1523RTB)



208.1 Scissor Arm Assembly 2-3 (JCPT1523RTB)

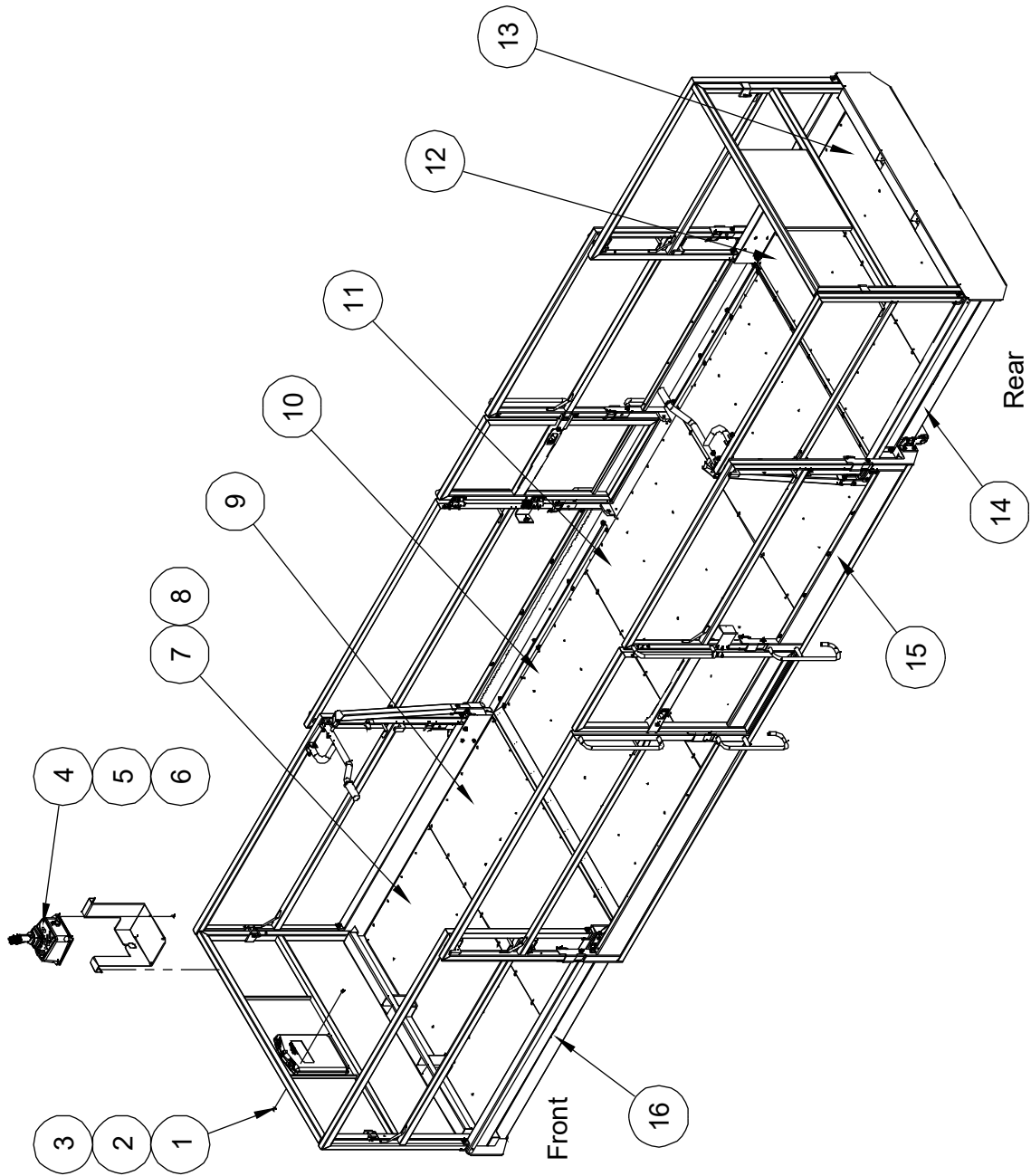
Item	Part No.	Description	Qty.
1	10018816	Outer arm III	1
2	10019281	Inner arm III	1
3	00000423	8813-455555 Bearing	4
4	00003841	896B-45×120.5 Pin	4
5	00002464	8902-12085 Pin	4
6	00000815	Washer GB/T 93 12	4
7	00000814	Washer GB/T 97.1 12	4
8	00001055	Bolt GB/T 5783 M12×40	4
9	10018809	Outer arm II	1
10	00000087	899-60268 Pin	4
11	00000430	8813-607040 Bearing	16
12	10003252	Spacer sleeve	8
13	10003250	Washer	8
14	00000953	Circlips GB/T 894.1-60	8
15	00002137	Straight fitting	2
16	10018808	Outer arm II	1
17	10005613	Clamp	1
18	00000620	Washer GB/T 97.1 6	1
19	00002029	Screw GB/T 70.1 M6×12	1
20	10018850	Block	1
21	00001027	Bolt GB/T 5782 M10×80	2
22	00000623	Nut GB/T 6182 M10	2
23	00000615	Washer GB/T 97.1 10	4
24		Cable routing device assembly (refer to 207.1)	1
25	10018822	Block	/
	10026739	Block	/

209.1 Scissor Arm Assembly 4 (JCPT1823RTB)**209.1 Scissor Arm Assembly 4 (JCPT1823RTB)**

Item	Part No.	Description	Qty.
1	10025389	Inner arm IV	1
2	10018816	Outer arm IV	1
3	00000953	Circlips GB/T 894.1-60	4
4	10003250	Washer	4
5	00000087	899-60268 Pin	2
6	00000430	8813-607040 Bearing	8
7	10003252	Spacer sleeve	4
8	10018822	Block	/
	10026739	Block	/
9	00001054	Screw GB/T 70.1 M4×12	2
10	00000779	Washer GB/T 93 4	2
11	00000778	Washer GB/T 97.1 4	2
12	00000695	Angle sensor	1
13	10000251	Sensor cover	1

Section 3 Platform

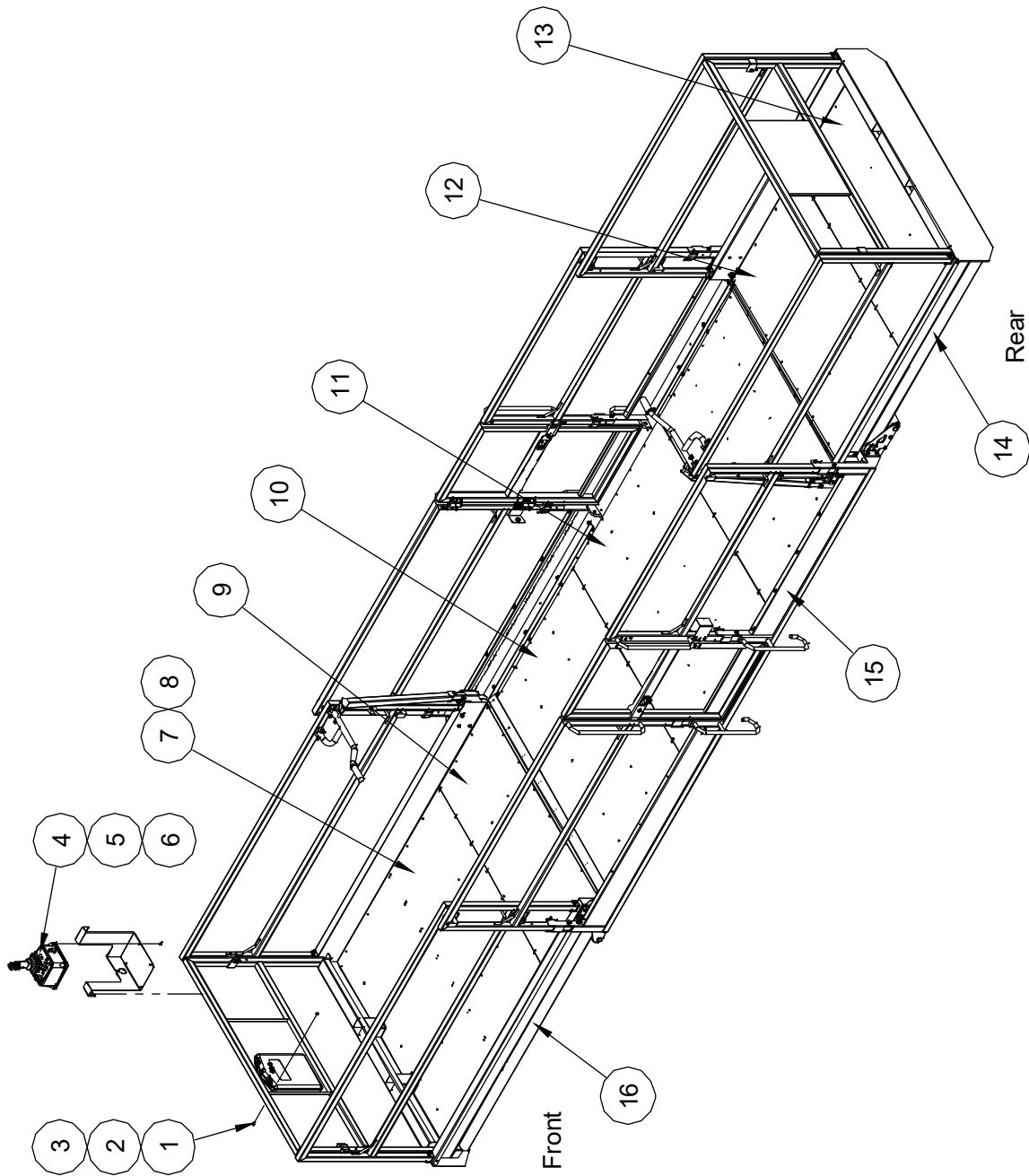
301.1 Platform Assembly (Standard Platform)



301.1 Platform Assembly (Standard Platform)

Item	Part No.	Description	Qty.
1	00002523	Screw GB/T 973 M5×16	4
2	50000555	Manual box	1
3	00002573	Nut GB/T 6183.1 M5	4
4	00004354	Platform control box assembly (refer to 308.1)	1
5	10004318	Platform control box mount bracket	1
	10020756	Platform control box mount bracket (with cover)	1
6	00001986	Screw GB/T 818 M6×16 - H	4
7	10019079	Platform extension deck plate 2 (Front)	1
8	00001991	Rivet GB/T 12618.4 4.8×16	214
9	10019078	Platform extension deck plate 1 (Front)	1
10	10019074	Main platform deck plate 2	2
11	10019073	Main platform deck plate 1	1
12	10019082	Platform extension deck plate 1 (Rear)	1
13	10019083	Platform extension deck plate 2 (Rear)	1
14		Rear platform extension assembly (refer to 306.1)	1
15		Main platform assembly (refer to 302.1)	1
16		Front platform extension assembly (refer to 305.1)	1

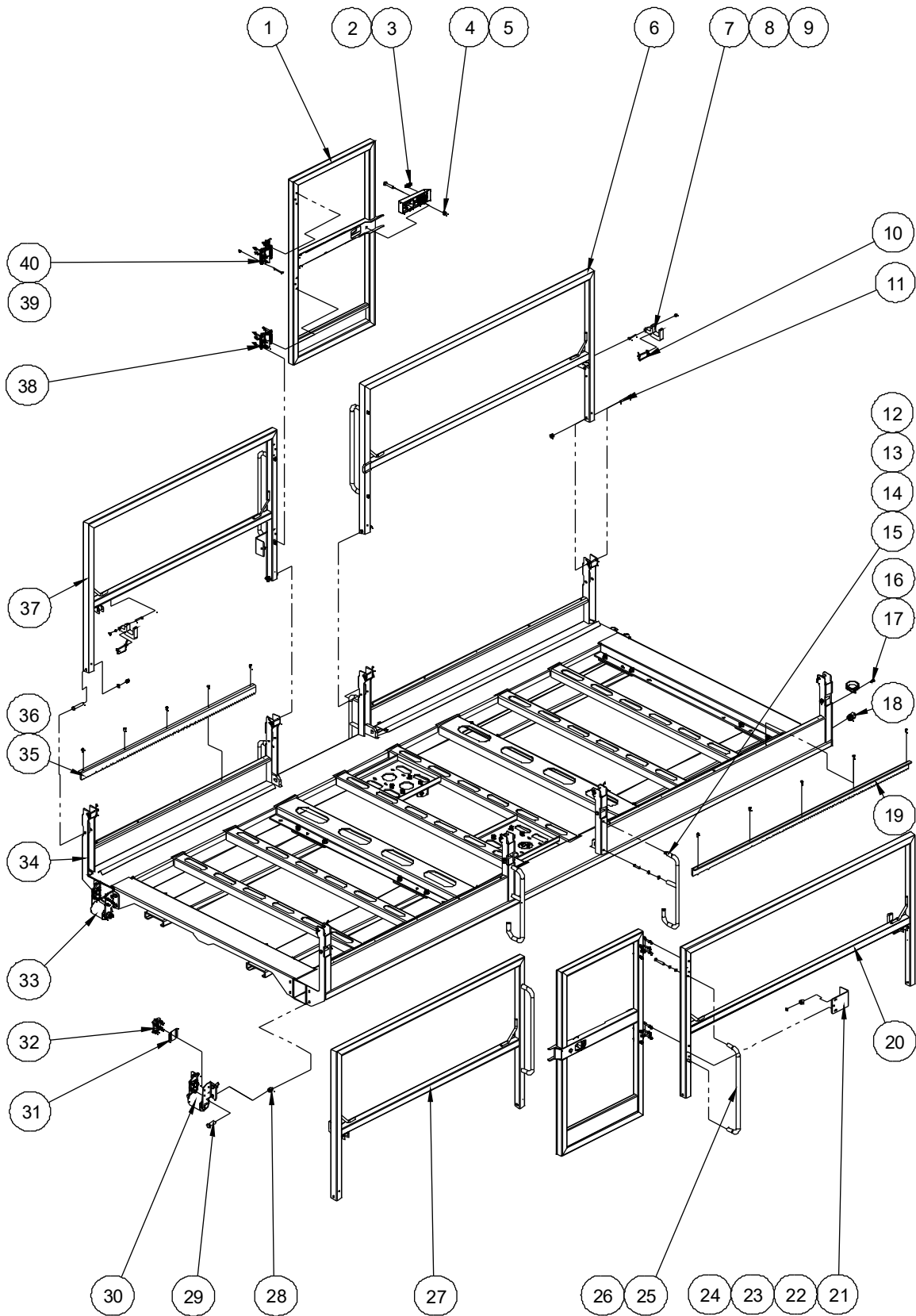
301.2 Platform Assembly (Extended Platform)



301.2 Platform Assembly (Extended Platform)

Item	Part No.	Description	Qty.
1	00002523	Screw GB/T 973 M5×16	4
2	50000555	Manual box	1
3	00002573	Nut GB/T 6183.1 M5	4
4	00004354	Platform control box assembly (refer to 308.1)	1
5	10004318	Platform control box mount bracket	1
	10020756	Platform control box mount bracket (with cover)	1
6	00001986	Screw GB/T 818 M6×16 - H	4
7	10019954	Platform extension deck plate 2 (Front)	1
8	00001991	Rivet GB/T 12618.4 4.8×16	226
9	10019082	Platform extension deck plate 1 (Front)	1
10	10019074	Main platform deck plate 2	2
11	10019073	Main platform deck plate 1	1
12	10019951	Platform extension deck plate 1 (Rear)	1
13	10019952	Platform extension deck plate 2 (Rear)	1
14		Rear platform extension assembly (refer to 306.2)	1
15		Main platform assembly (refer to 302.2)	1
16		Front platform extension assembly (refer to 305.2)	1

302.1 Main Platform Assembly (Standard Platform)



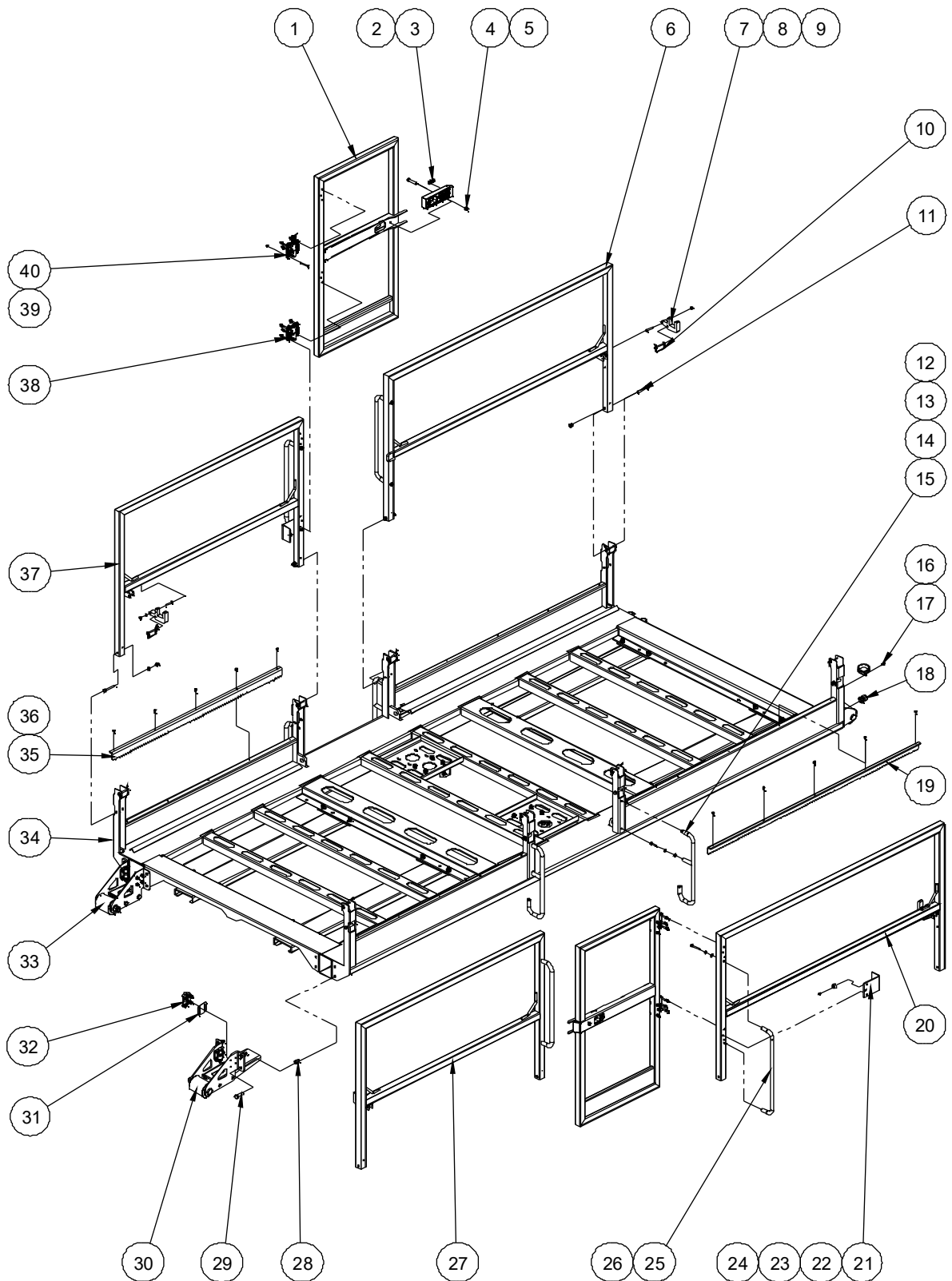
302.1 Main Platform Assembly (Standard Platform)

Item	Part No.	Description	Qty.
1	10016143	Entry gate	2
2	00002547	Bolt GB/T 16674 M10×55	2
3	10000367	Spring	2
4	10000331	Latch handle	2
5	00002572	Nut GB/T 6183.1 M10	10
6	10004221	Left main rail	1
7	50001717	Rail spacer	4
8	00002574	Nut GB/T 6183.1 M6	28
9	00002312	Bolt GB/T 5782 M6×45	4
10	10004174	Inserted pin	4
11	00003956	Bolt GB/T 16674 M10×70	8
12	10005035	Hand rail (JCPT1523RTB)	4
	10004126	Hand rail (JCPT1823RTB)	4
13	00002560	Screw GB/T 70.1 M8×30	8
14	00000608	Washer GB/T 97.1 8	16
15	00000609	Washer GB/T 93 8	16
16	00001231	Screw GB/T 818 M6×14 - H	1
17	10005186	Clamp	1
18	00001828	Water-proof joint M20	1
19	10004150	Extension deck lock tooth	1
20	10004227	Right main rail	1
21	10004316	Lock plate	2
22	10000376	Bumper	2
23	00002319	Screw GB/T 818 M5×10 - H	2
24	00002886	Bolt GB/T 16674 M6×60	6
25	10004190	Hand rail	4
26	00001985	Bolt GB/T 5782 M8×55	8
27	10004214	Right main rail	1
28	00002576	Nut GB/T 6183.1 M12	16

302.1 Main Platform Assembly (Standard Platform)

Item	Part No.	Description	Qty.
29	00002046	Bolt GB/T 5783 M12×35	16
30		Support roller assembly (refer to 303.1)	2
31	10004111	Adjusting plate	4
32		Side roller assembly (refer to 304.1)	8
33		Support roller assembly (refer to 303.1)	2
34	10016138	Main deck weldment	1
35	10004125	Extension deck lock tooth	1
36	00002865	Bolt QC/T 340 M6×14	10
37	10004208	Left main rail	1
38	10000302	Hinge B	2
39	10000299	Hinge A	2
40	00002569	Bolt GB/T 16674 M6×55	18

302.2 Main Platform Assembly (Extended Platform)

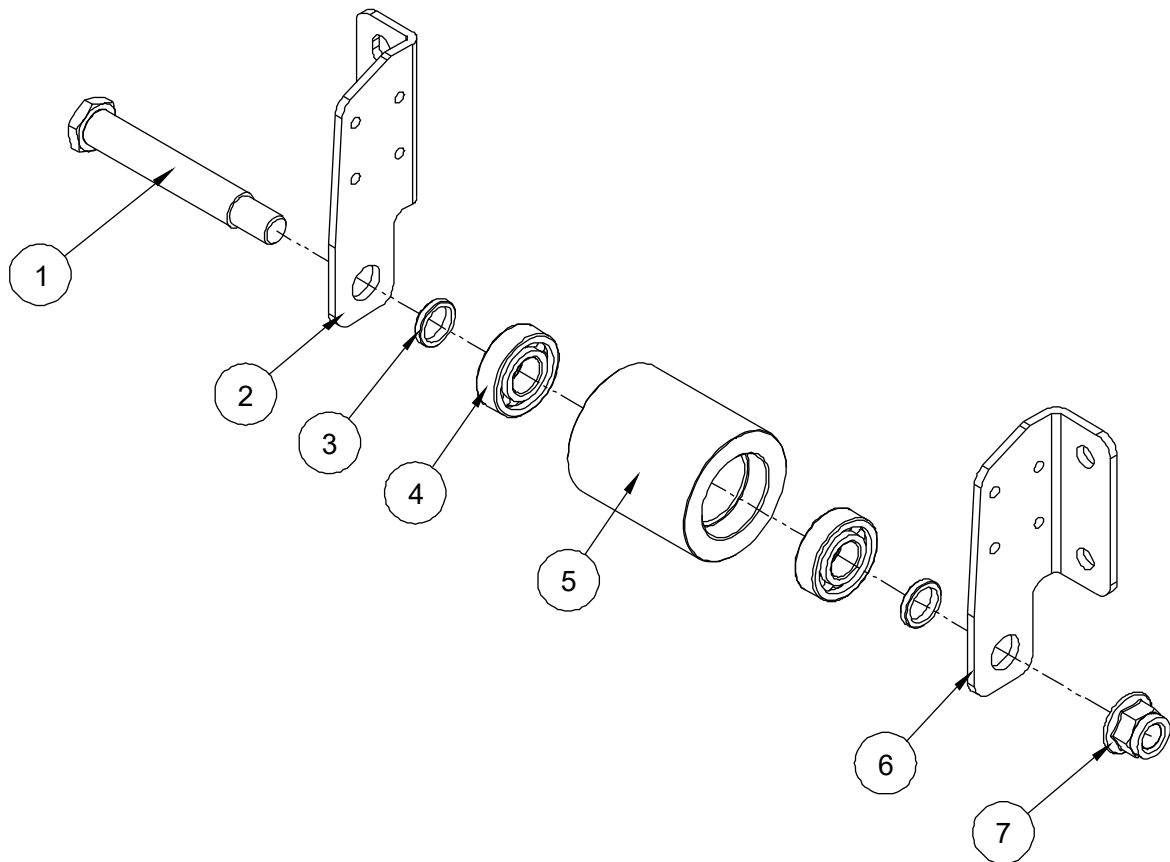


302.2 Main Platform Assembly (Extended Platform)

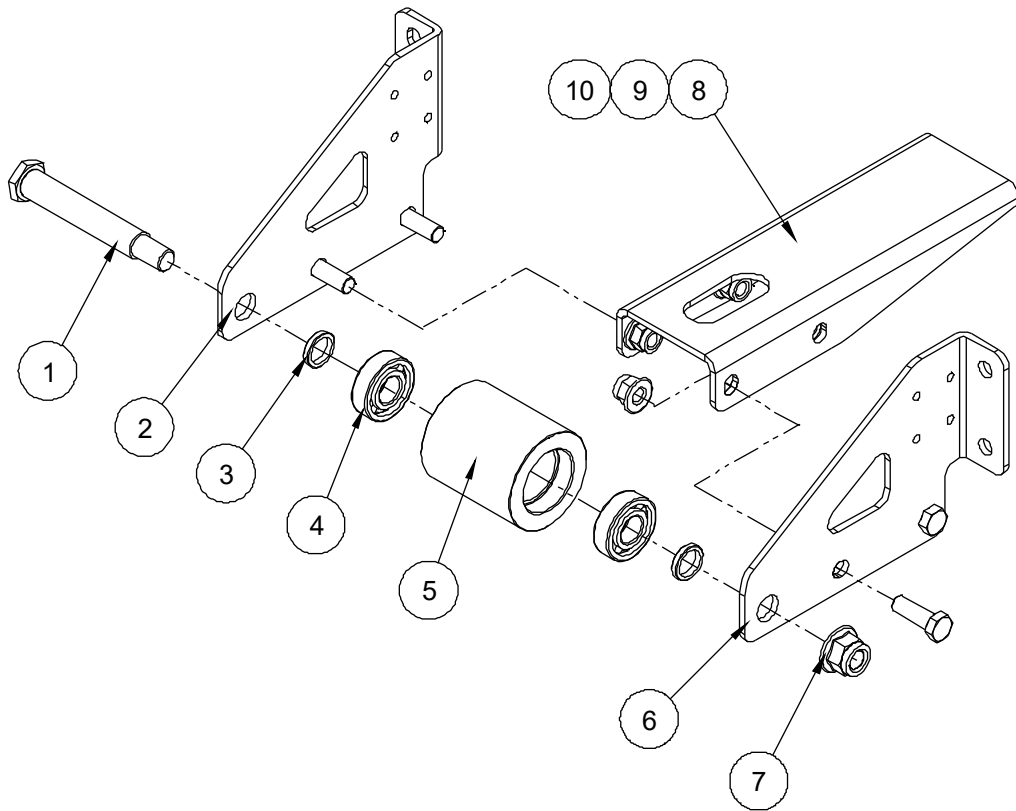
Item	Part No.	Description	Qty.
1	10016143	Entry gate	2
2	00002547	Bolt GB/T 16674 M10×55	2
3	10000367	Spring	2
4	10000331	Latch handle	2
5	00002572	Nut GB/T 6183.1 M10	10
6	10004221	Left main rail	1
7	50001717	Rail spacer	4
8	00002574	Nut GB/T 6183.1 M6	28
9	00002312	Bolt GB/T 5782 M6×45	4
10	10004174	Inserted pin	4
11	00003956	Bolt GB/T 16674 M10×70	8
12	10005035	Hand rail (JCPT1523RTB)	4
	10004126	Hand rail (JCPT1823RTB)	4
13	00002560	Screw GB/T 70.1 M8×30	8
14	00000608	Washer GB/T 97.1 8	16
15	00000609	Washer GB/T 93 8	16
16	00001231	Screw GB/T 818 M6×14 - H	1
17	10005186	Clamp	1
18	00001828	Water-proof joint M20	1
19	10004150	Extension deck lock tooth	1
20	10004227	Right main rail	1
21	10004316	Lock plate	2
22	10000376	Bumper	2
23	00002319	Screw GB/T 818 M5×10 - H	2
24	00002886	Bolt GB/T 16674 M6×60	6
25	10004190	Hand rail	4
26	00001985	Bolt GB/T 5782 M8×55	8
27	10004214	Right main rail	1
28	00002576	Nut GB/T 6183.1 M12	16

302.2 Main Platform Assembly (Extended Platform)

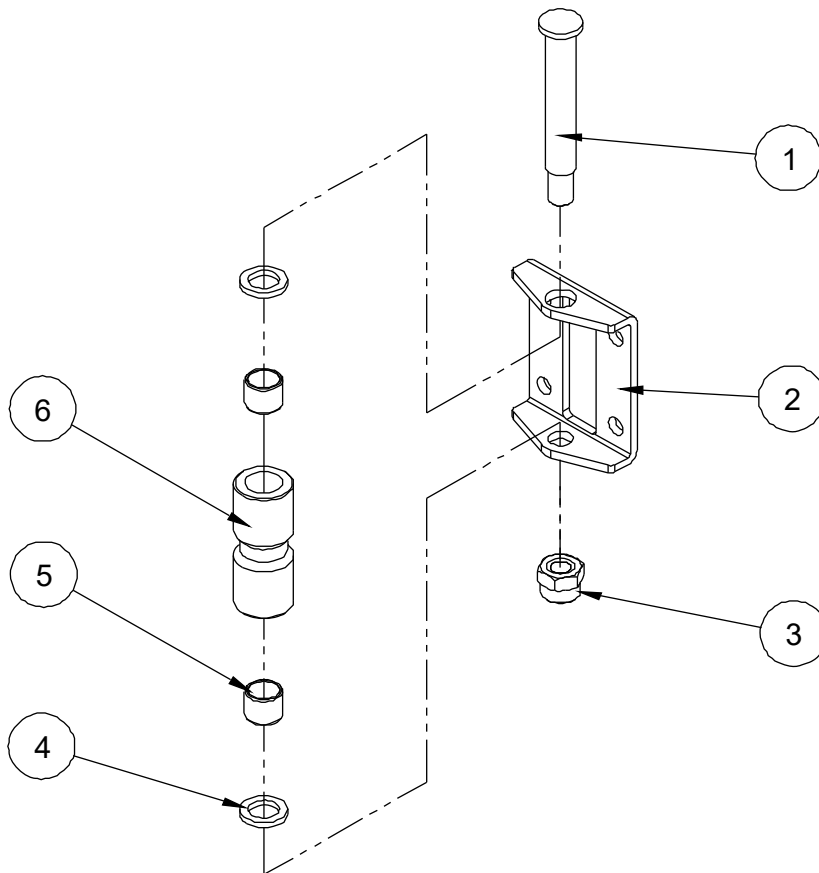
Item	Part No.	Description	Qty.
29	00002046	Bolt GB/T 5783 M12×35	16
30		Support roller assembly (refer to 303.2)	2
31	10004111	Adjusting plate	4
32		Side roller assembly (refer to 304.1)	8
33		Support roller assembly (refer to 303.2)	2
34	10016138	Main deck weldment	1
35	10004125	Extension deck lock tooth	1
36	00002865	Bolt QC/T 340 M6×14	10
37	10004208	Left main rail	1
38	10000302	Hinge B	2
39	10000299	Hinge A	2
40	00002569	Bolt GB/T 16674 M6×55	18

303.1 Support Roller Assembly (Standard Platform)**303.1 Support Roller Assembly (Standard Platform)**

Item	Part No.	Description	Qty.
1	10004140	Pin	1
2	10004149	Roller bracket 2	1
3	10004141	Shim	2
4	00001295	Bearing GB/T 276-1994 - 6204	2
5	10004142	Roller	1
6	10004148	Roller bracket	1
7	00002578	Nut GB/T 6183.1 M16	1

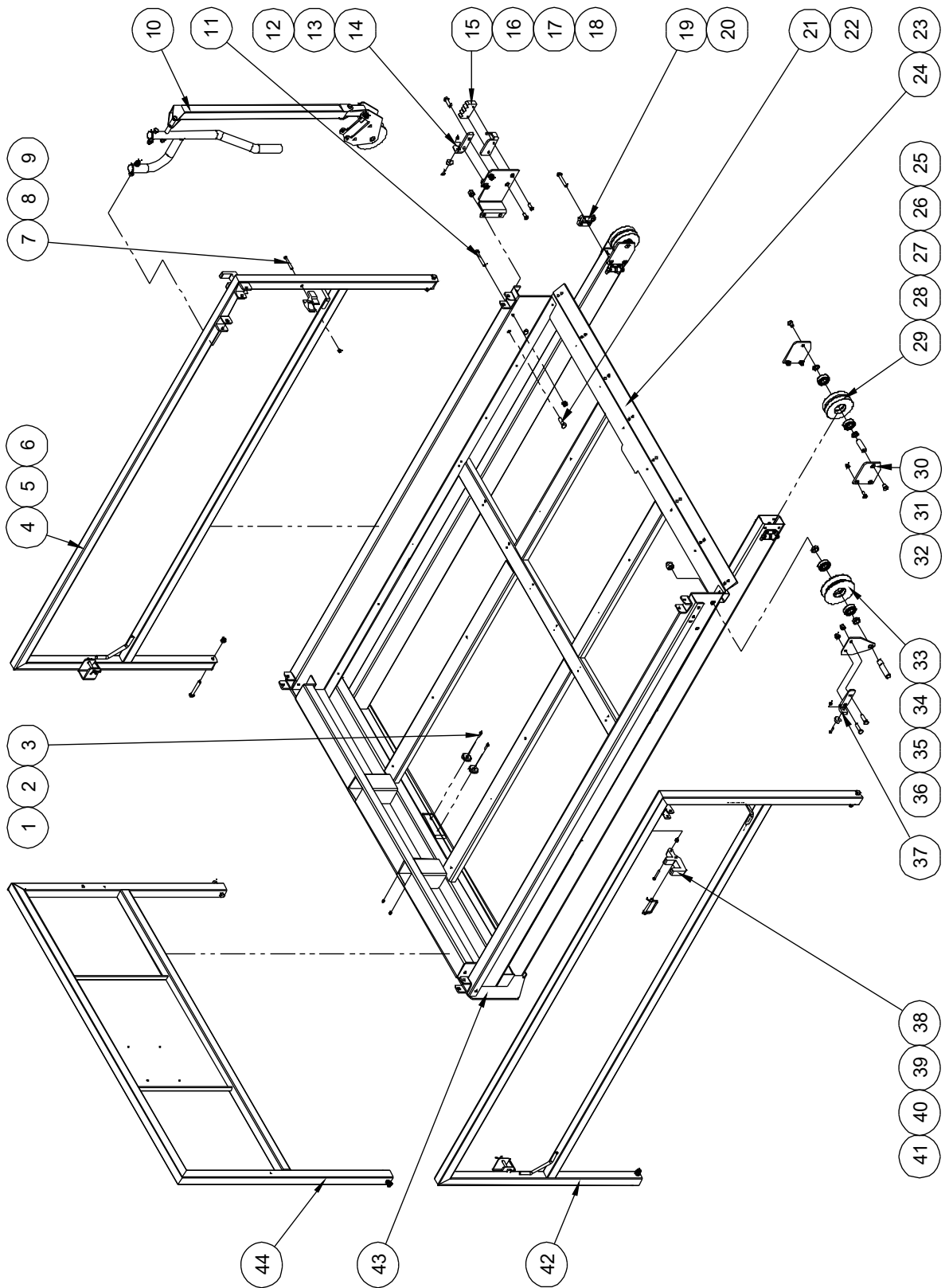
303.2 Support Roller Assembly (Extended Platform)**303.2 Support Roller Assembly (Extended Platform)**

Item	Part No.	Description	Qty.
1	10004140	Pin	1
2	10005506	Roller bracket 2	1
3	10004141	Shim	2
4	00001295	Bearing GB/T 276-1994 - 6204	2
5	10004142	Roller	1
6	10005505	Roller bracket	1
7	00002578	Nut GB/T 6183.1 M16	1
8	10005507	Base plate	1
9	00002046	Bolt GB/T 5783 M12×35	8
10	00002576	Nut GB/T 6183.1 M12	8

304.1 Side Roller Assembly**304.1 Side Roller Assembly**

Item	Part No.	Description	Qty.
1	10004145	Pin	1
2	10004144	Roller bracket	1
3	00002575	Nut GB/T 6183.1 M8	1
4	00005116	Washer GB/T 848 10	2
5	00000340	8812-101210 Bearing	2
6	10004146	Roller	1

305.1 Front Platform Extension Assembly (Standard Platform)



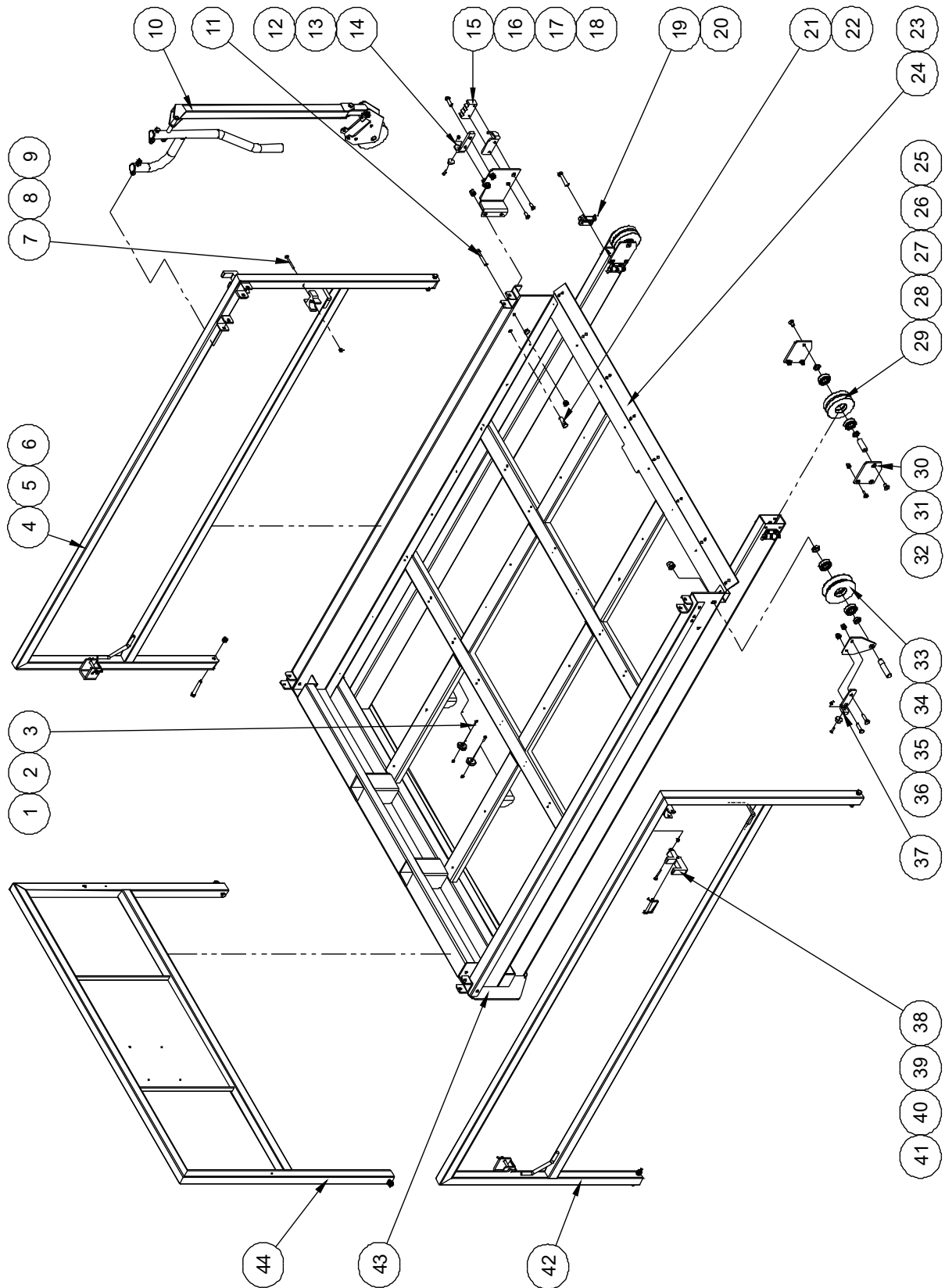
305.1 Front Platform Extension Assembly (Standard Platform)

Item	Part No.	Description	Qty.
1	00002573	Nut GB/T 6183.1 M5	4
2	10004200	Bumper	2
3	00001173	Screw GB/T 70.2 M5×20	4
4	10004233	Right extension rail	1
5	00003956	Bolt GB/T 16674 M10×70	6
6	00002572	Nut GB/T 6183.1 M10	13
7	00001066	Bolt GB/T 5782 M6×55	1
8	10004170	Catch clip	1
9	00001033	Nut GB/T 6182 M6	1
10		Platform locking device assembly (refer to 307.1)	1
11	00002512	Bolt GB/T 5782 M10×70	1
12	10000376	Bumper	2
13	00000684	Bolt GB/T 5783 M10×35	4
14	10004108	Locating plate 1	1
15	10004206	Lock tooth	1
16	10004205	Lock tooth seat	1
17	10004201	Lock seat	1
18	00000838	Screw GB/T 70.3 M8×25	2
19		Side roller assembly (refer to 304.1)	4
20	00002599	Bolt GB/T 5782 M6×65	8
21	00002059	Bolt GB/T 5783 M12×30	2
22	00002576	Nut GB/T 6183.1 M12	2
23	00001991	Rivet GB/T 12618.4 4.8×16	16
24	10000136	Rubber plate	1
25	00000846	Screw GB/T 70.3 M10×25	4
26	10004178	Washer	4
27	00001295	Bearing GB/T 276-1994 - 6204	6
28	10004177	Roller	2
29	10004176	Roller bracket 1	2

305.1 Front Platform Extension Assembly (Standard Platform)

Item	Part No.	Description	Qty.
30	10004175	Roller bracket 2	2
31	10004179	Pin	2
32	00002575	Nut GB/T 6183.1 M8	8
33	10004202	Roller	1
34	10004207	Washer	2
35	10021655	Roller bracket	1
36	10021656	Pin	1
37	10004180	Locating plate 2	1
38	50001717	Rail spacer	2
39	10004174	Inserted pin	2
40	00002312	Bolt GB/T 5782 M6×45	2
41	00002574	Nut GB/T 6183.1 M6	10
42	10004243	Left extension rail	1
43	10019076	Extension deck weldment	1
44	10004282	Front rail	1

305.2 Front Platform Extension Assembly (Extended Platform)



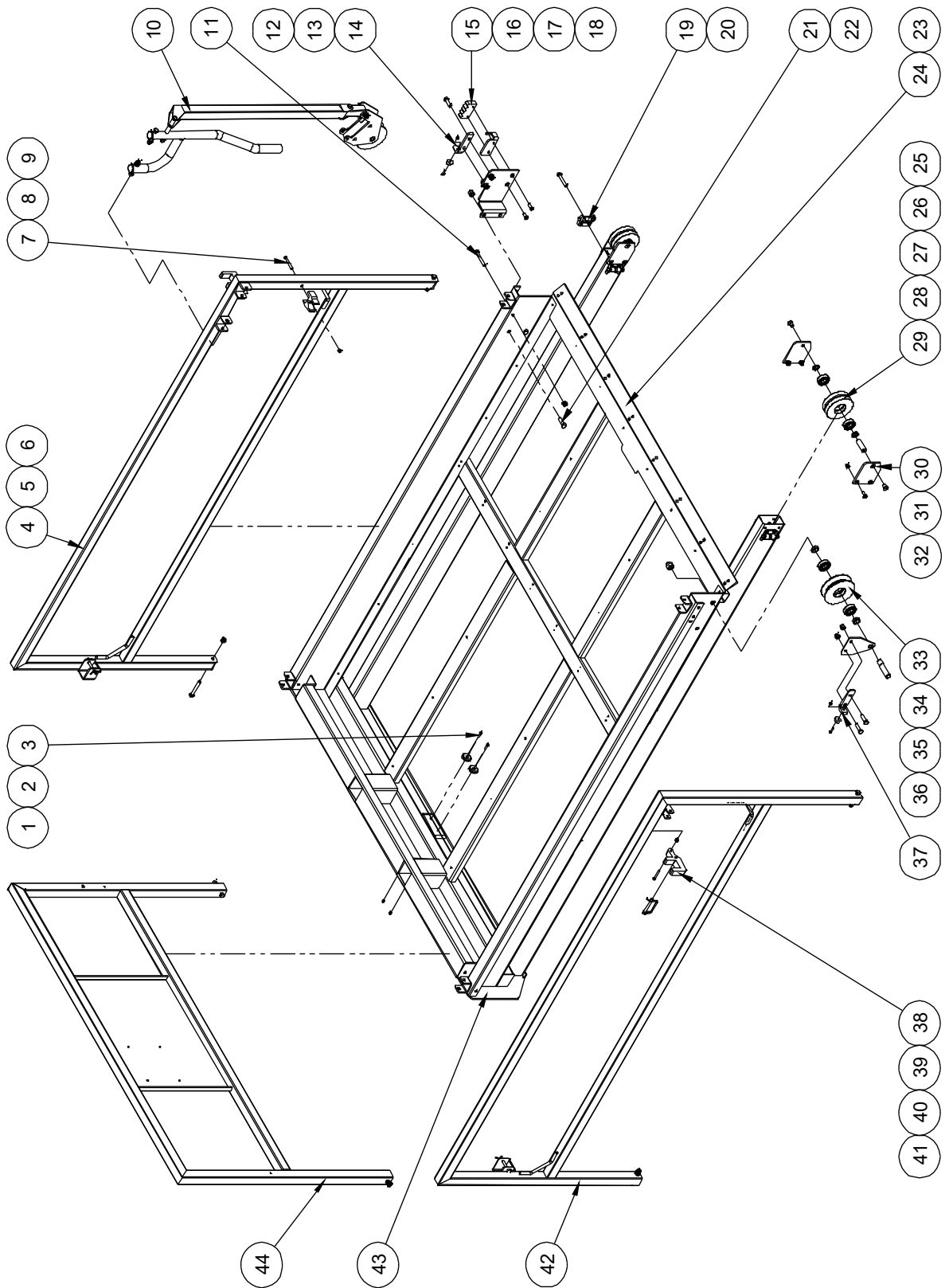
305.2 Front Platform Extension Assembly (Extended Platform)

Item	Part No.	Description	Qty.
1	00002573	Nut GB/T 6183.1 M5	4
2	10004200	Bumper	2
3	00001173	Screw GB/T 70.2 M5×20	4
4	10005547	Right extension rail	1
5	00003956	Bolt GB/T 16674 M10×70	6
6	00002572	Nut GB/T 6183.1 M10	13
7	00001066	Bolt GB/T 5782 M6×55	1
8	10004170	Catch clip	1
9	00001033	Nut GB/T 6182 M6	1
10		Platform locking device assembly (refer to 307.1)	1
11	00002512	Bolt GB/T 5782 M10×70	1
12	10000376	Bumper	2
13	00000684	Bolt GB/T 5783 M10×35	4
14	10004108	Locating plate 1	1
15	10004206	Lock tooth	1
16	10004205	Lock tooth seat	1
17	10004201	Lock seat	1
18	00000838	Screw GB/T 70.3 M8×25	2
19		Side roller assembly (refer to 304.1)	4
20	00002599	Bolt GB/T 5782 M6×65	8
21	00002059	Bolt GB/T 5783 M12×30	2
22	00002576	Nut GB/T 6183.1 M12	2
23	00001991	Rivet GB/T 12618.4 4.8×16	16
24	10000136	Rubber plate	1
25	00000846	Screw GB/T 70.3 M10×25	4
26	10004178	Washer	4
27	00001295	Bearing GB/T 276-1994 - 6204	6
28	10004177	Roller	2
29	10004176	Roller bracket 1	2

305.2 Front Platform Extension Assembly (Extended Platform)

Item	Part No.	Description	Qty.
30	10004175	Roller bracket 2	2
31	10004179	Pin	2
32	00002575	Nut GB/T 6183.1 M8	8
33	10004202	Roller	1
34	10004207	Washer	2
35	10021655	Roller bracket	1
36	10021656	Pin	1
37	10004180	Locating plate 2	1
38	50001717	Rail spacer	2
39	10004174	Inserted pin	2
40	00002312	Bolt GB/T 5782 M6×45	2
41	00002574	Nut GB/T 6183.1 M6	10
42	10005544	Left extension rail	1
43	10019953	Extension deck weldment	1
44	10004282	Front rail	1

306.1 Rear Platform Extension Assembly (Standard Platform)



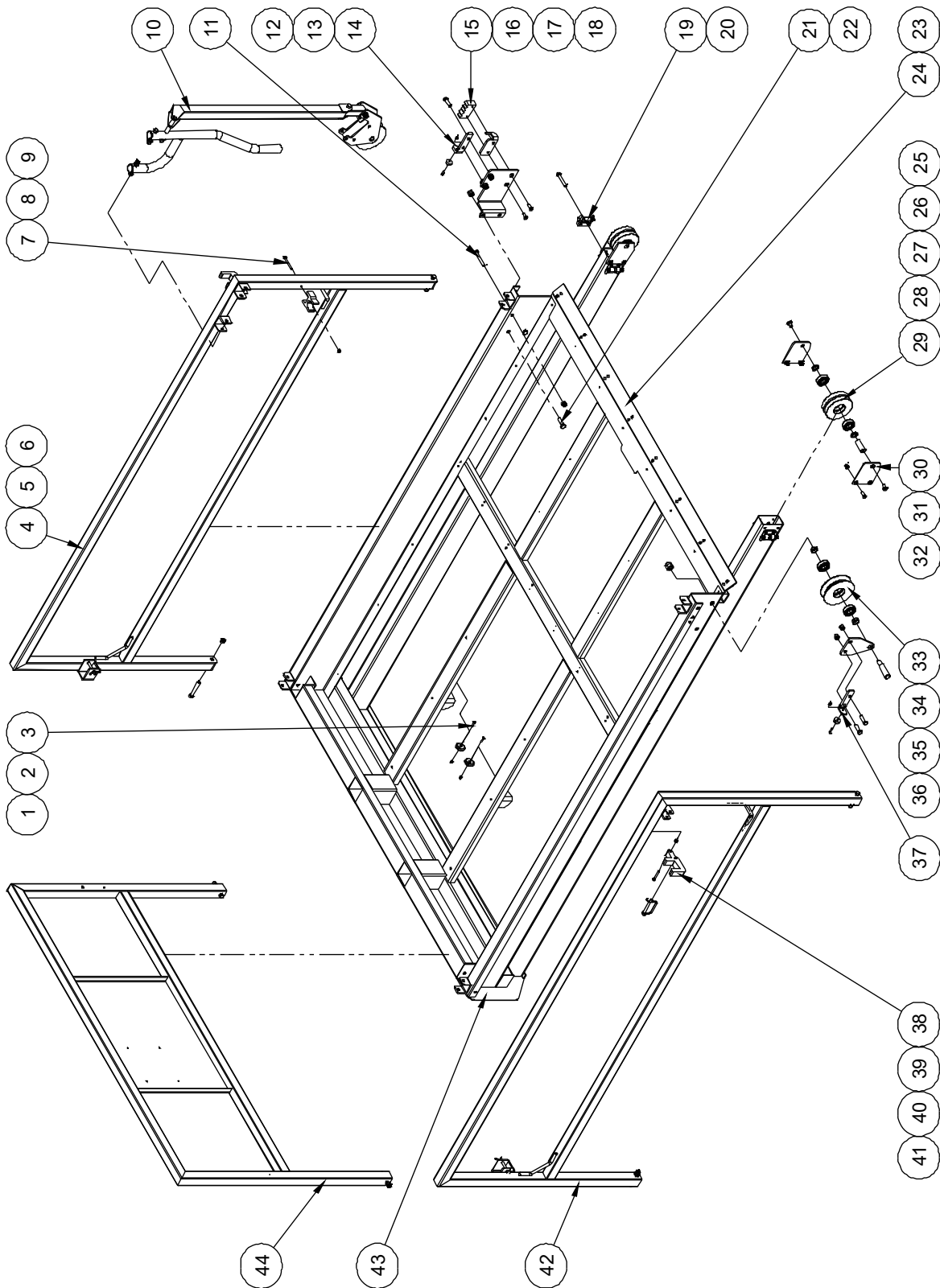
306.1 Rear Platform Extension Assembly (Standard Platform)

Item	Part No.	Description	Qty.
1	00002573	Nut GB/T 6183.1 M5	4
2	10004200	Bumper	2
3	00001173	Screw GB/T 70.2 M5×20	4
4	10004269	Right extension rail	1
5	00003956	Bolt GB/T 16674 M10×70	6
6	00002572	Nut GB/T 6183.1 M10	13
7	00001066	Bolt GB/T 5782 M6×55	1
8	10004170	Catch clip	1
9	00001033	Nut GB/T 6182 M6	1
10		Platform locking device assembly (refer to 307.1)	1
11	00002512	Bolt GB/T 5782 M10×70	1
12	10000376	Bumper	2
13	00000684	Bolt GB/T 5783 M10×35	4
14	10004108	Locating plate 1	1
15	10004206	Lock tooth	1
16	10004205	Lock tooth seat	1
17	10004201	Lock seat	1
18	00000838	Screw GB/T 70.3 M8×25	2
19		Side roller assembly (refer to 304.1)	4
20	00002599	Bolt GB/T 5782 M6×65	8
21	00002059	Bolt GB/T 5783 M12×30	2
22	00002576	Nut GB/T 6183.1 M12	2
23	00001991	Rivet GB/T 12618.4 4.8×16	16
24	10000136	Rubber plate	1
25	00000846	Screw GB/T 70.3 M10×25	4
26	10004178	Washer	4
27	00001295	Bearing GB/T 276-1994 - 6204	6
28	10004177	Roller	2
29	10004176	Roller bracket 1	2

306.1 Rear Platform Extension Assembly (Standard Platform)

Item	Part No.	Description	Qty.
30	10004175	Roller bracket 2	2
31	10004179	Pin	2
32	00002575	Nut GB/T 6183.1 M8	8
33	10004202	Roller	1
34	10004207	Washer	2
35	10021655	Roller bracket	1
36	10021656	Pin	1
37	10004180	Locating plate 2	1
38	50001717	Rail spacer	2
39	10004174	Inserted pin	2
40	00002312	Bolt GB/T 5782 M6×45	2
41	00002574	Nut GB/T 6183.1 M6	10
42	10004262	Left extension rail	1
43	10019081	Extension deck weldment	1
44	10004282	Front rail	1

306.2 Rear Platform Extension Assembly (Extended Platform)



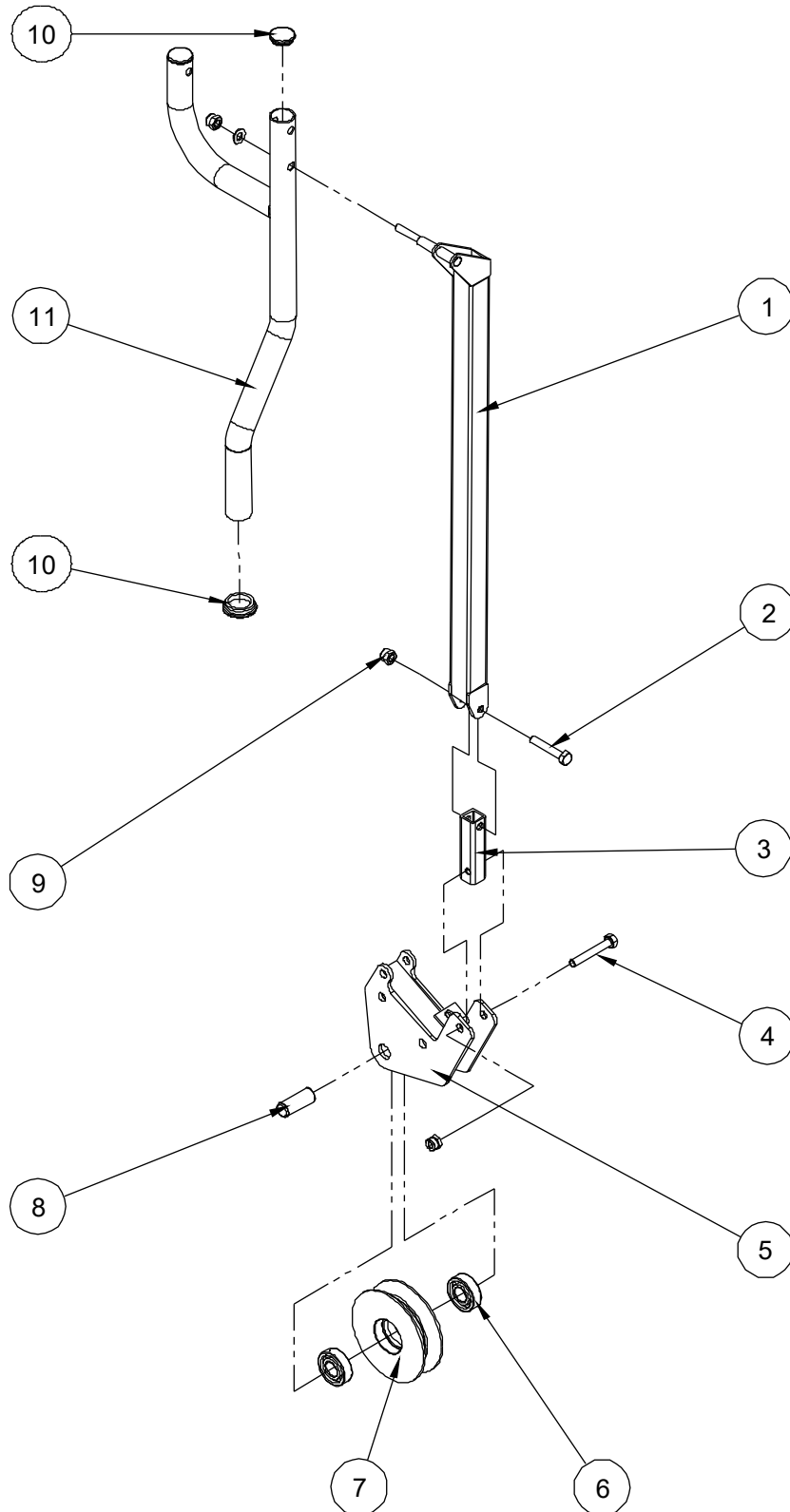
306.2 Rear Platform Extension Assembly (Extended Platform)

Item	Part No.	Description	Qty.
1	00002573	Nut GB/T 6183.1 M5	4
2	10004200	Bumper	2
3	00001173	Screw GB/T 70.2 M5×20	4
4	10005548	Right extension rail	1
5	00003956	Bolt GB/T 16674 M10×70	6
6	00002572	Nut GB/T 6183.1 M10	13
7	00001066	Bolt GB/T 5782 M6×55	1
8	10004170	Catch clip	1
9	00001033	Nut GB/T 6182 M6	1
10		Platform locking device assembly (refer to 307.1)	1
11	00002512	Bolt GB/T 5782 M10×70	1
12	10000376	Bumper	2
13	00000684	Bolt GB/T 5783 M10×35	4
14	10004108	Locating plate 1	1
15	10004206	Lock tooth	1
16	10004205	Lock tooth seat	1
17	10004201	Lock seat	1
18	00000838	Screw GB/T 70.3 M8×25	2
19		Side roller assembly (refer to 304.1)	4
20	00002599	Bolt GB/T 5782 M6×65	8
21	00002059	Bolt GB/T 5783 M12×30	2
22	00002576	Nut GB/T 6183.1 M12	2
23	00001991	Rivet GB/T 12618.4 4.8×16	16
24	10000136	Rubber plate	1
25	00000846	Screw GB/T 70.3 M10×25	4
26	10004178	Washer	4
27	00001295	Bearing GB/T 276-1994 - 6204	6
28	10004177	Roller	2
29	10004176	Roller bracket 1	2

306.2 Rear Platform Extension Assembly (Extended Platform)

Item	Part No.	Description	Qty.
30	10004175	Roller bracket 2	2
31	10004179	Pin	2
32	00002575	Nut GB/T 6183.1 M8	8
33	10004202	Roller	1
34	10004207	Washer	2
35	10021655	Roller bracket	1
36	10021656	Pin	1
37	10004180	Locating plate 2	1
38	50001717	Rail spacer	2
39	10004174	Inserted pin	2
40	00002312	Bolt GB/T 5782 M6×45	2
41	00002574	Nut GB/T 6183.1 M6	10
42	10005551	Left extension rail	1
43	10019950	Extension deck weldment	1
44	10004282	Front rail	1

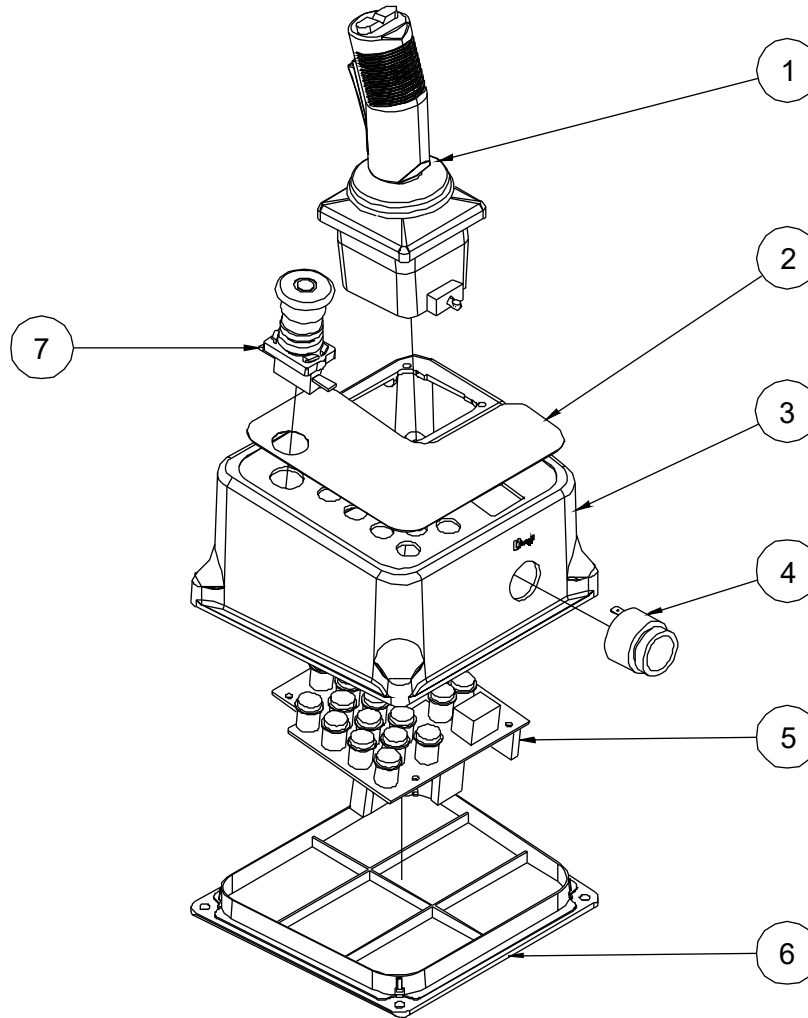
307.1 Platform Locking Device Assembly



307.1 Platform Locking Device Assembly

Item	Part No.	Description	Qty.
1	10004299	Tie rod weldment	1
2	00001984	Bolt GB/T 5782 M10×60	1
3	10004308	Connection rod	1
4	00002512	Bolt GB/T 5782 M10×70	4
5	10004137	Roller bracket	1
6	00001295	Bearing GB/T 276-1994 - 6204	2
7	10004202	Roller	1
8	00000413	893-20050 Pin	1
9	00002572	Nut GB/T 6183.1 M10	2
10	10004309	Cover	3
11	10004304	Handle	1

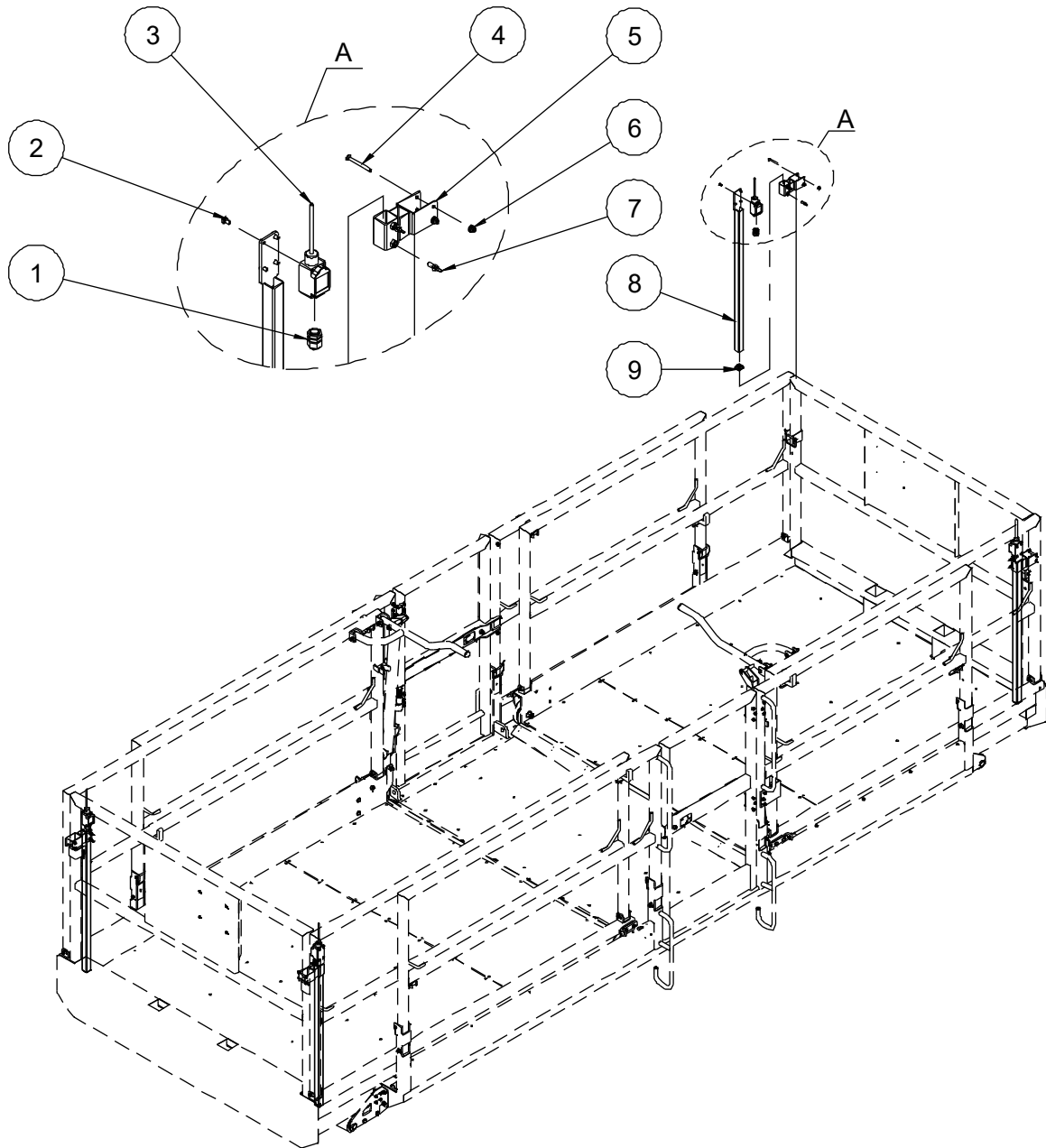
308.1 Platform Control Box Assembly



308.1 Platform Control Box Assembly

Item	Part No.	Description	Qty.
1	00004358	Joystick	1
2	09140017	Decal, Platform control panel	1
3	00004356	Enclosure	1
4	00000712	Alarm	1
5	00004357	Main board	1
6	00004355	Cover bottom	1
7	00000713	Emergency stop switch	1

309.1 Anti-collision Device (Option)

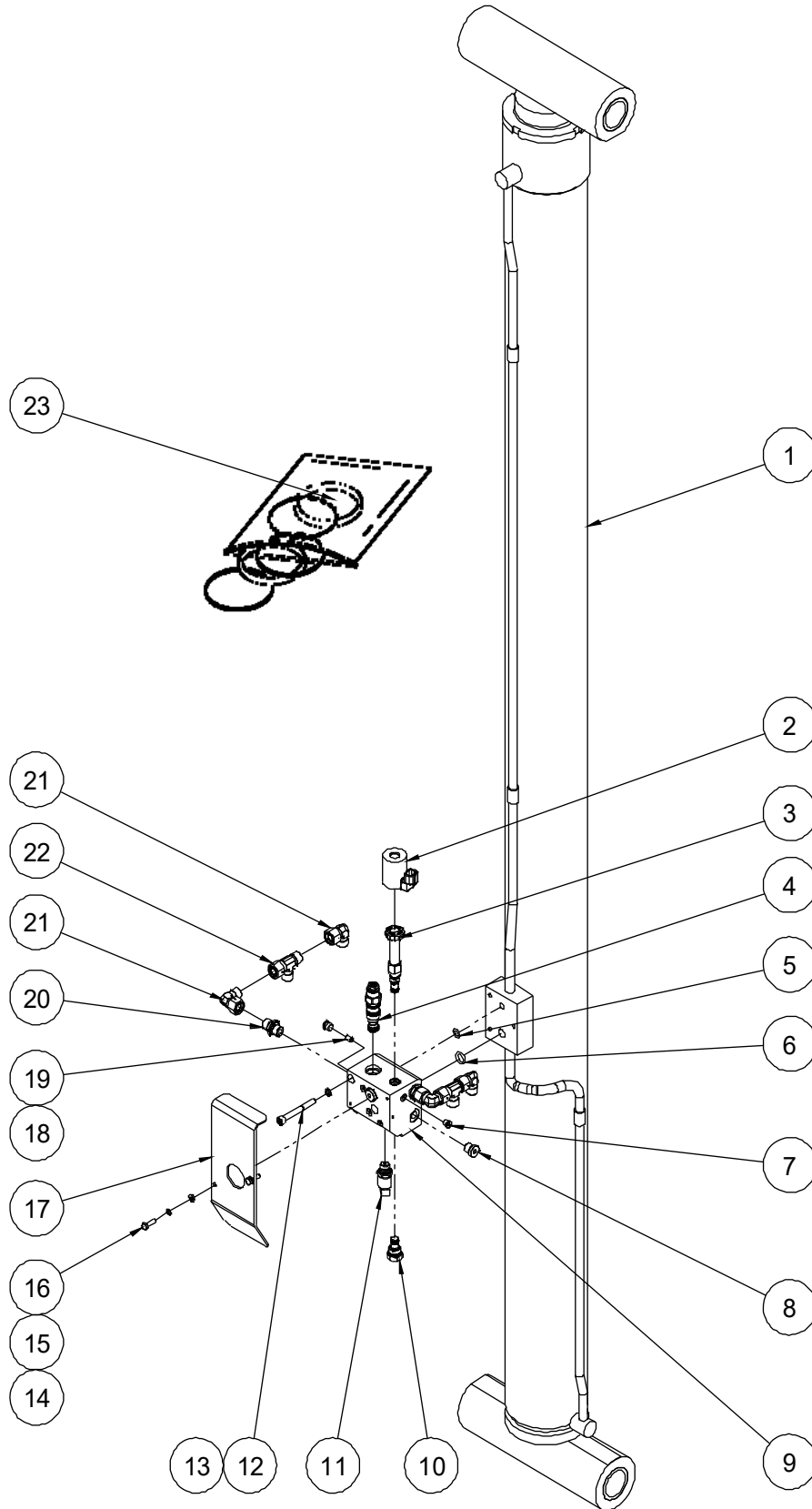


309.1 Anti-collision Device (Option)

Item	Part No.	Description	Qty.
1	00005080	Water-proof joint M20	4
2	00001060	Screw GB/T 818 M6×12 - H	16
3	00002606	Limit switch	4
4	00004581	Screw GB/T 70.3 M6×60	8
5	10009153	Bracket	4
6	00002574	Nut GB/T 6183.1 M6	8
7	00002586	Screw M8×16	8
8	10001704	Pole	4
9	10003413	Plug	4

Section 4 Hydraulic System

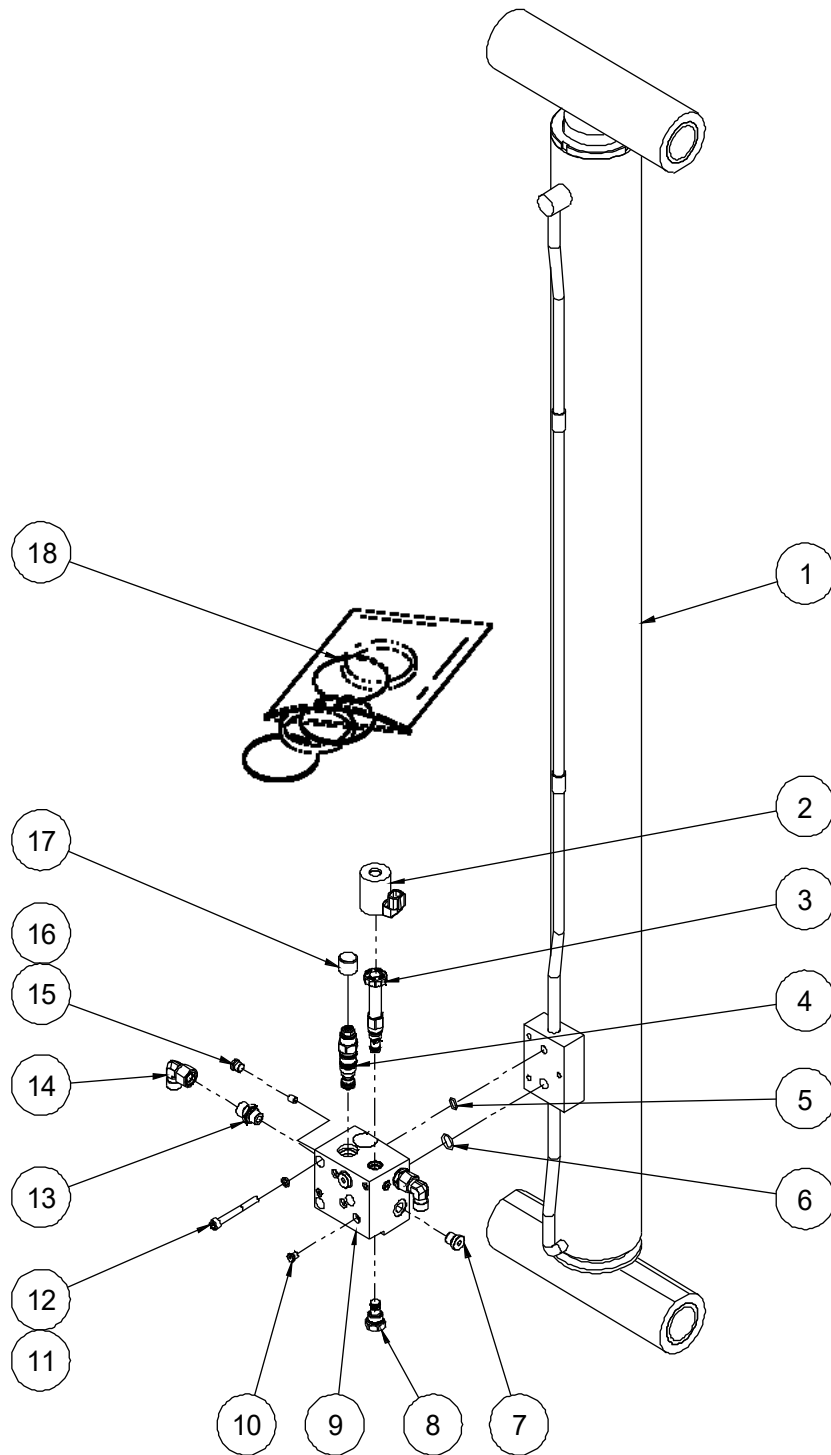
401.1 Lower Lift Cylinder Assembly



401.1 Lower Lift Cylinder Assembly

Item	Part No.	Description	Qty.
1	10025520	Lower lift cylinder	1
2	00004592	Coil	1
3	00004591	Solenoid valve spool (SV14)	1
4	00003373	Counterbalance valve spool (CB1) (JCPT1523RTB)	1
	00003357	Counterbalance valve spool (CB1) (JCPT1823RTB)	1
5	00001660	O-ring As568A 12.42×1.78	1
6	00001709	O-ring As568A 15.54×2.62	1
7	00002999	Plug SAE2	6
8	00001073	Plug VST114×1.5ED	2
9	00010939	Valve body	1
10	10000404	Check valve (CV2)	1
11	00007393	Pressure sensor	1
12	00003135	Screw GB/T 70.1 M8×70	3
13	00000609	Washer GB/T 93 8	3
14	00000620	Washer GB/T 97.1 6	2
15	00000621	Washer GB/T 93 6	2
16	00000743	Bolt GB/T 5783 M6×20	2
17	10018085	Protect cover	1
18	00002998	Plug SAE4	1
19	00006190	Orifice 3/8-16_Φ2.0 (ORF2) (JCPT1523RTB)	1
	00010940	Orifice 3/8-16_Φ1.9 (ORF2) (JCPT1823RTB)	1
20	00001294	Straight fitting	2
21	00001834	Elbow (JCPT1523RTB)	2
	00001834	Elbow (JCPT1823RTB)	4
22	00001239	Tee fitting (JCPT1823RTB)	2
23	00008964	Seal kit	1

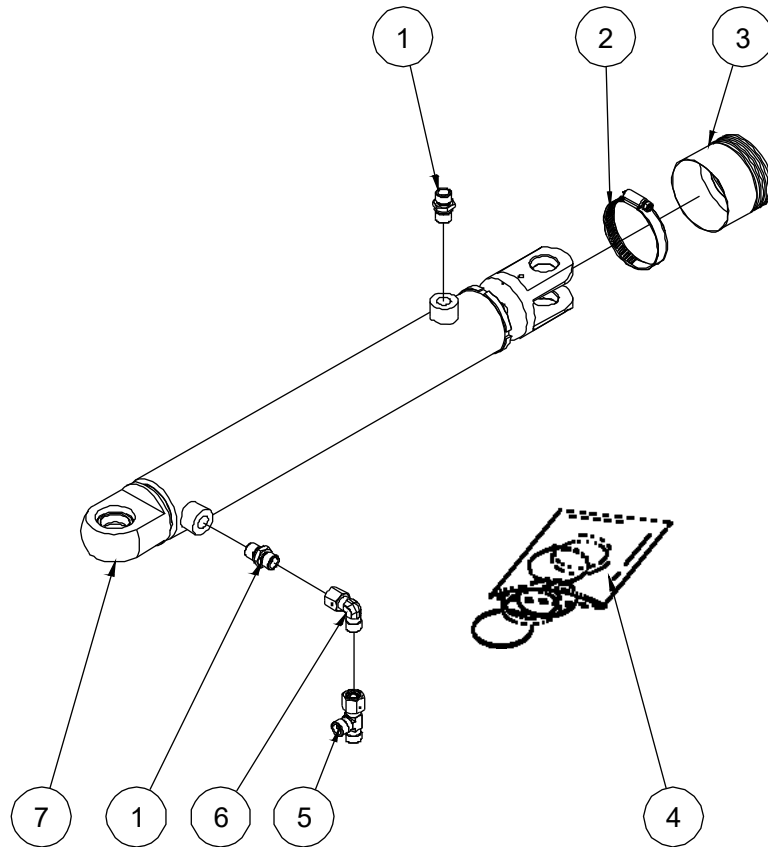
402.1 Upper Lift Cylinder Assembly (JCPT1823RTB)



402.1 Upper Lift Cylinder Assembly (JCPT1823RTB)

Item	Part No.	Description	Qty.
1	10024830	Upper lift cylinder	1
2	00004592	Coil	1
3	00004591	Solenoid valve spool (SV15)	1
4	00008925	Counterbalance valve spool (CB2)	1
5	00001660	O-ring As568A 12.42×1.78	1
6	00001709	O-ring As568A 15.54×2.62	1
7	00001073	Plug VST114×1.5ED	3
8	10000404	Check valve (CV3)	1
9	00007920	Valve body	1
10	00002999	Plug SAE2	6
11	00000609	Washer GB/T 93 8	3
12	00003135	Screw GB/T 70.1 M8×70	3
13	00001294	Straight fitting	2
14	00001834	Elbow	2
15	00002998	Plug SAE4	1
16	00004596	Orifice 3/8-16_Φ1.3 (ORF3)	1
17	00004642	Cover	1
18	00008965	Seal kit	1

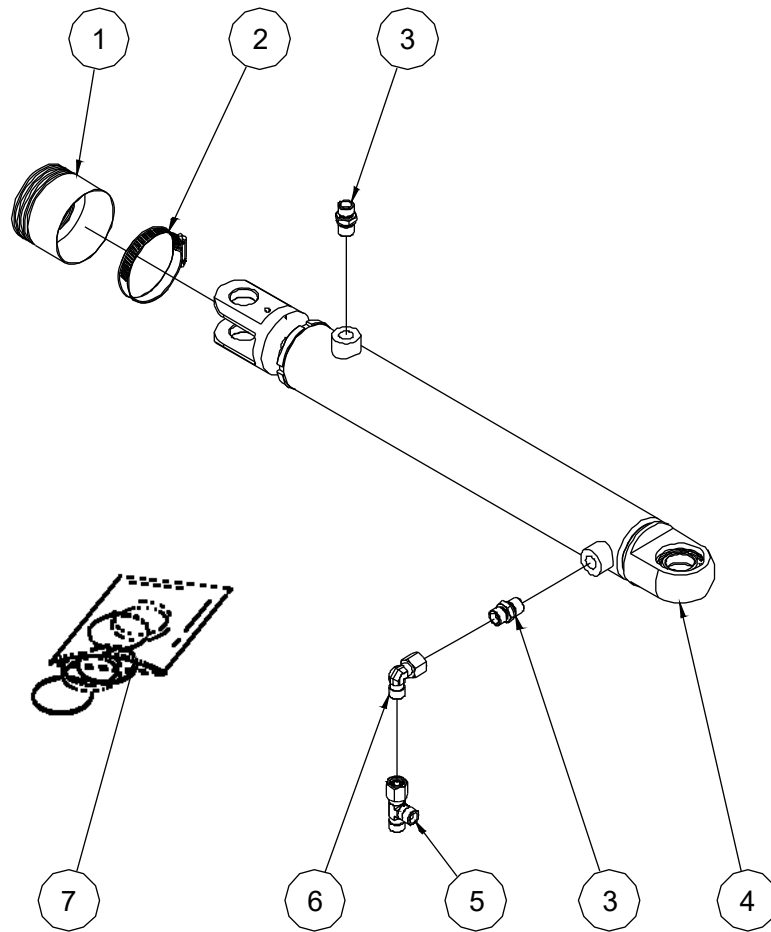
403.1 Left Steer Cylinder Assembly



403.1 Left Steer Cylinder Assembly

Item	Part No.	Description	Qty.
1	00001282	Straight fitting	2
2	00003623	Clamp	1
3	10005460	Dustproof sleeve	1
4	00000278	Seal kit	1
5	00001237	Tee fitting	1
6	00001832	Elbow	1
7	10003581	Left steer cylinder	1

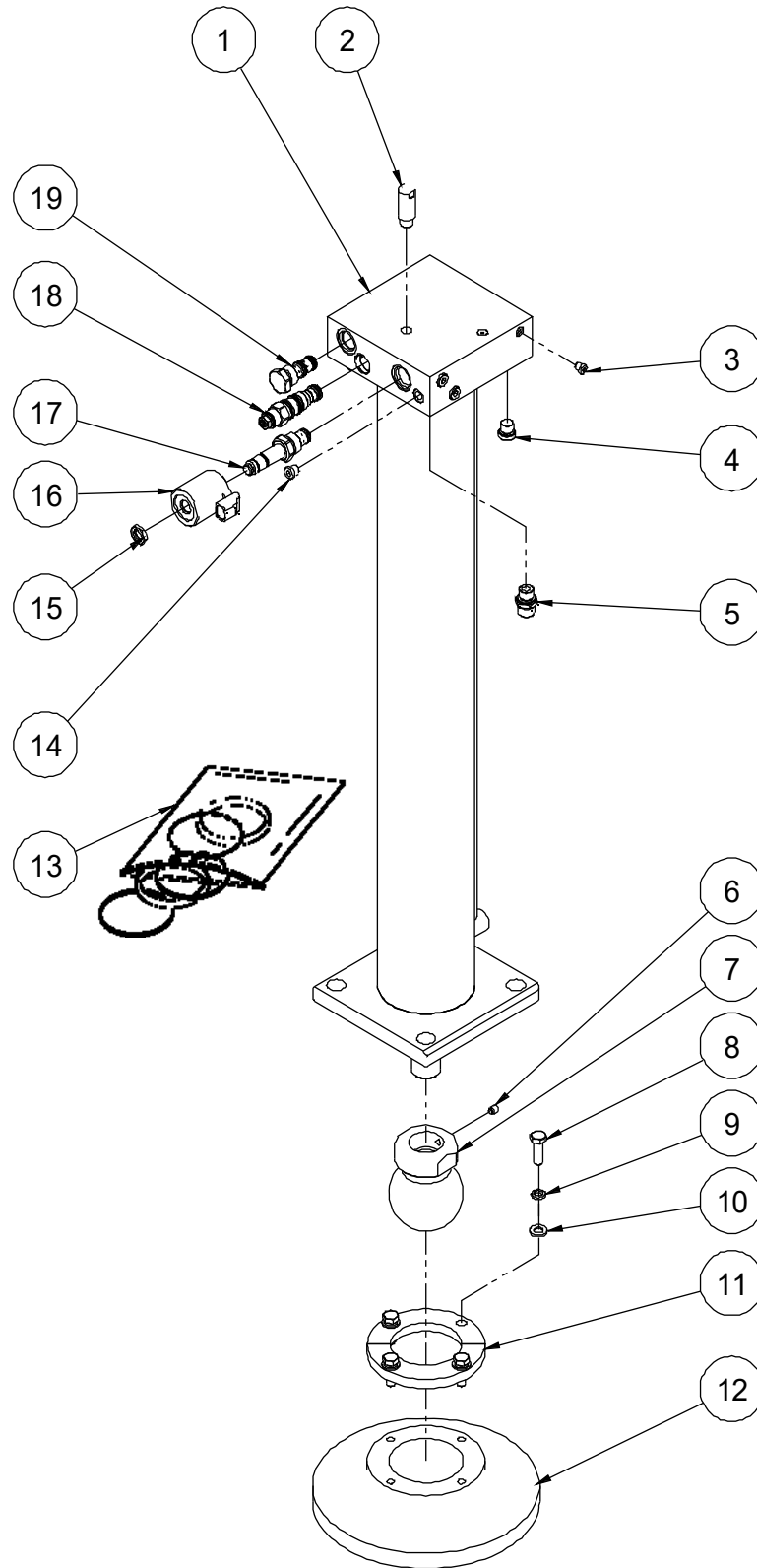
404.1 Right Steer Cylinder Assembly



404.1 Right Steer Cylinder Assembly

Item	Part No.	Description	Qty.
1	10005460	Dustproof sleeve	1
2	00003623	Clamp	1
3	00001282	Straight fitting	2
4	10003562	Right steer cylinder	1
5	00001237	Tee fitting	1
6	00001832	Elbow	1
7	00000278	Seal kit	1

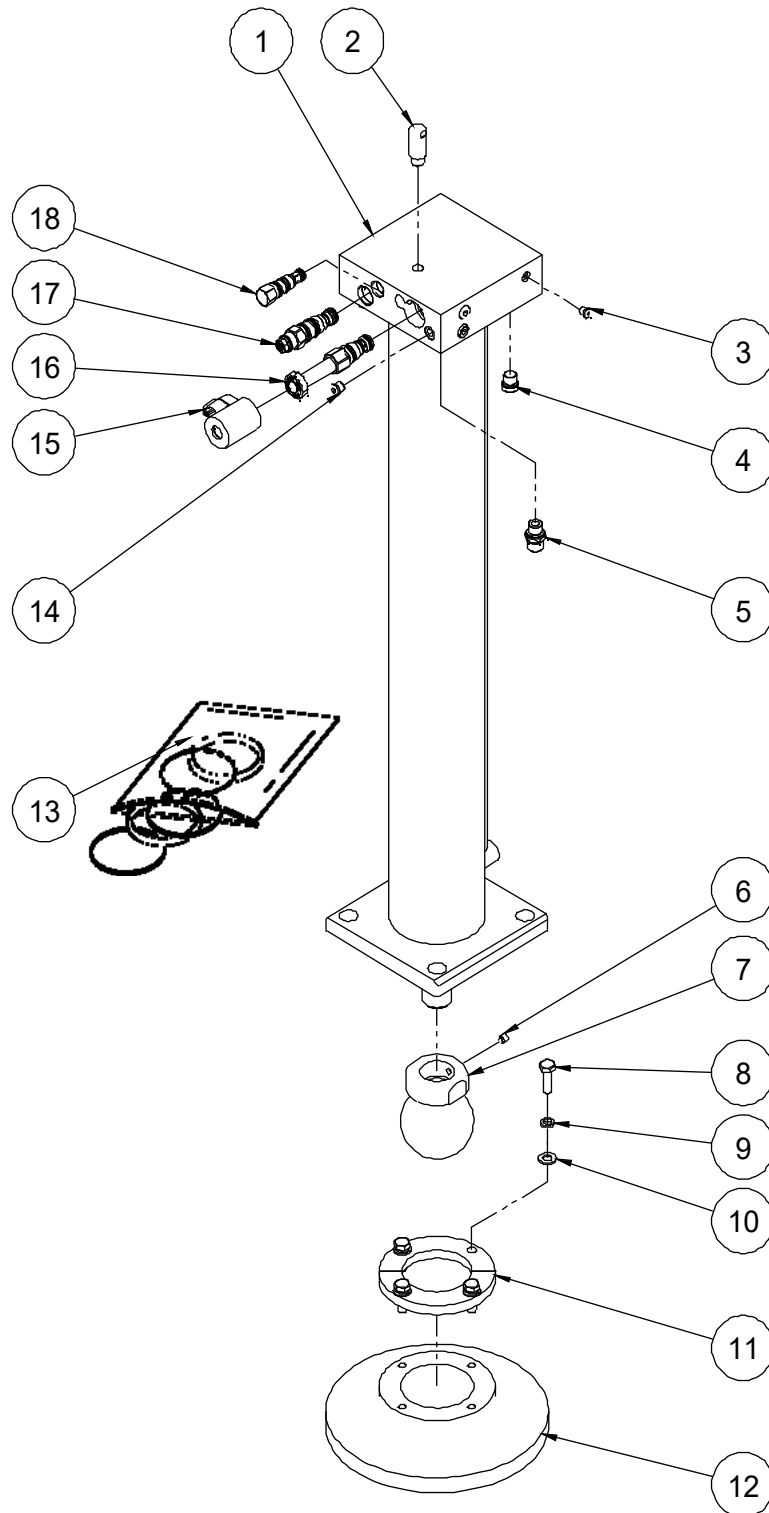
405.1 Outrigger Cylinder Assembly



405.1 Outrigger Cylinder Assembly

Item	Part No.	Description	Qty.
1	10025306	Outrigger cylinder	1
2	10000001	Pin	1
3	00002999	Plug SAE2	3
4	00001111	Plug VST11/4ED	2
5	00001294	Straight fitting	2
6	00002003	Screw GB/T 79 M8×10	1
7	10020349	Ball	1
8	00000683	Bolt GB/T 5783 M10×30	4
9	00000679	Washer GB/T 93 10	4
10	00000615	Washer GB/T 97.1 10	4
11	10004004	Retainer	1
12	10003999	Outrigger footpad	1
13	00009954	Seal kit	1
14	00002998	Plug SAE4	6
15	00003017	Nut	1
16	00008559	Coil	1
17	00003280	Solenoid valve spool (SV4, SV5, SV6, SV7)	1
18	00009755	Counterbalance valve spool (CB4)	1
19	00003281	Pilot-operated check valve (PC1, PC2, PC3, PC4)	1

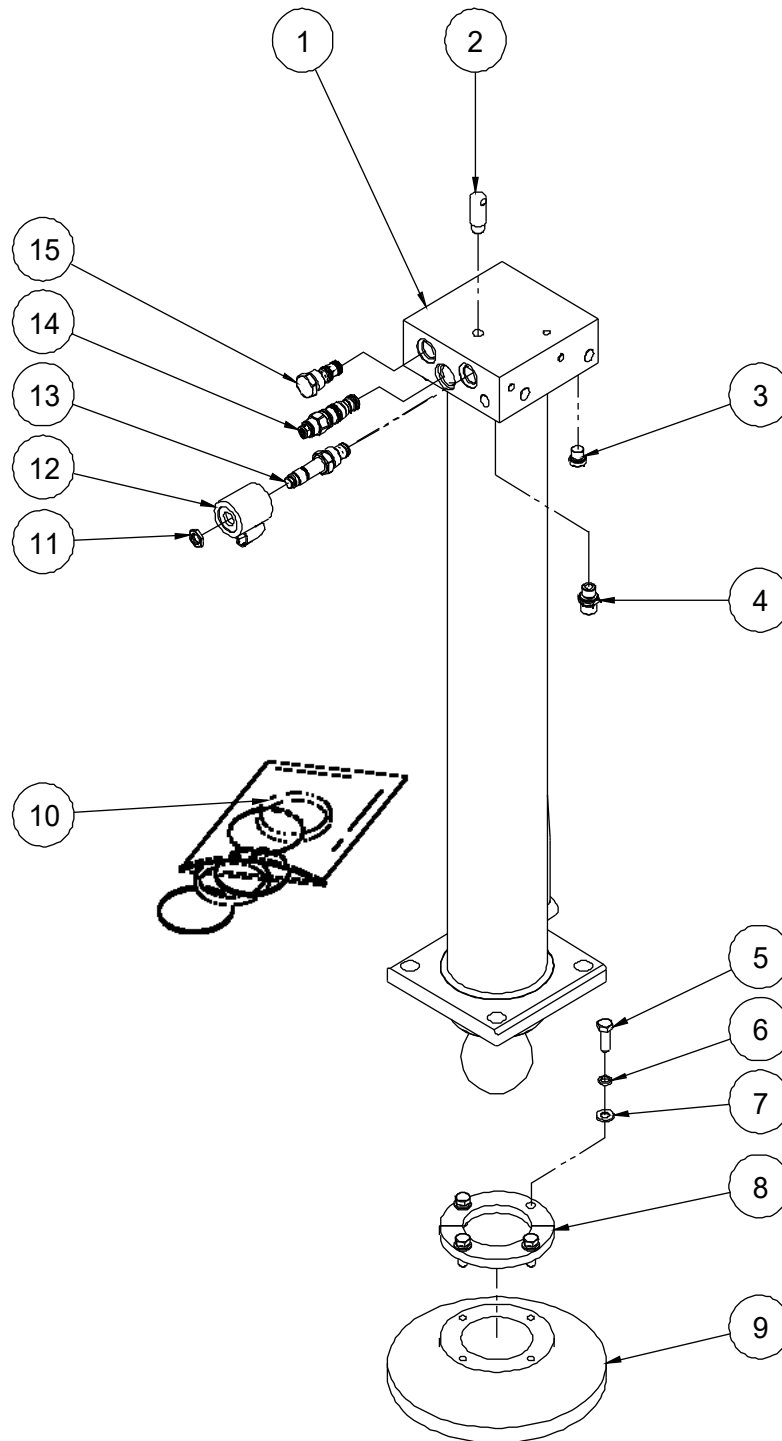
405.2 Outrigger Cylinder Assembly



405.2 Outrigger Cylinder Assembly

Item	Part No.	Description	Qty.
1	10025308	Outrigger cylinder	1
2	10000001	Pin	1
3	00002999	Plug SAE2	2
4	00001111	Plug VST11/4ED	2
5	00001294	Straight fitting	2
6	00002003	Screw GB/T 79 M8×10	1
7	10020349	Ball	1
8	00000683	Bolt GB/T 5783 M10×30	4
9	00000679	Washer GB/T 93 10	4
10	00000615	Washer GB/T 97.1 10	4
11	10004004	Retainer	1
12	10003999	Outrigger footpad	1
13	00009954	Seal kit	1
14	00002998	Plug SAE4	7
15	00004592	Coil	1
16	00009455	Solenoid valve spool (SV12, SV13, SV14, SV15)	1
17	00009755	Counterbalance valve spool (CB4)	1
18	00009253	Pilot-operated check valve (PC1, PC2, PC3, PC4)	1

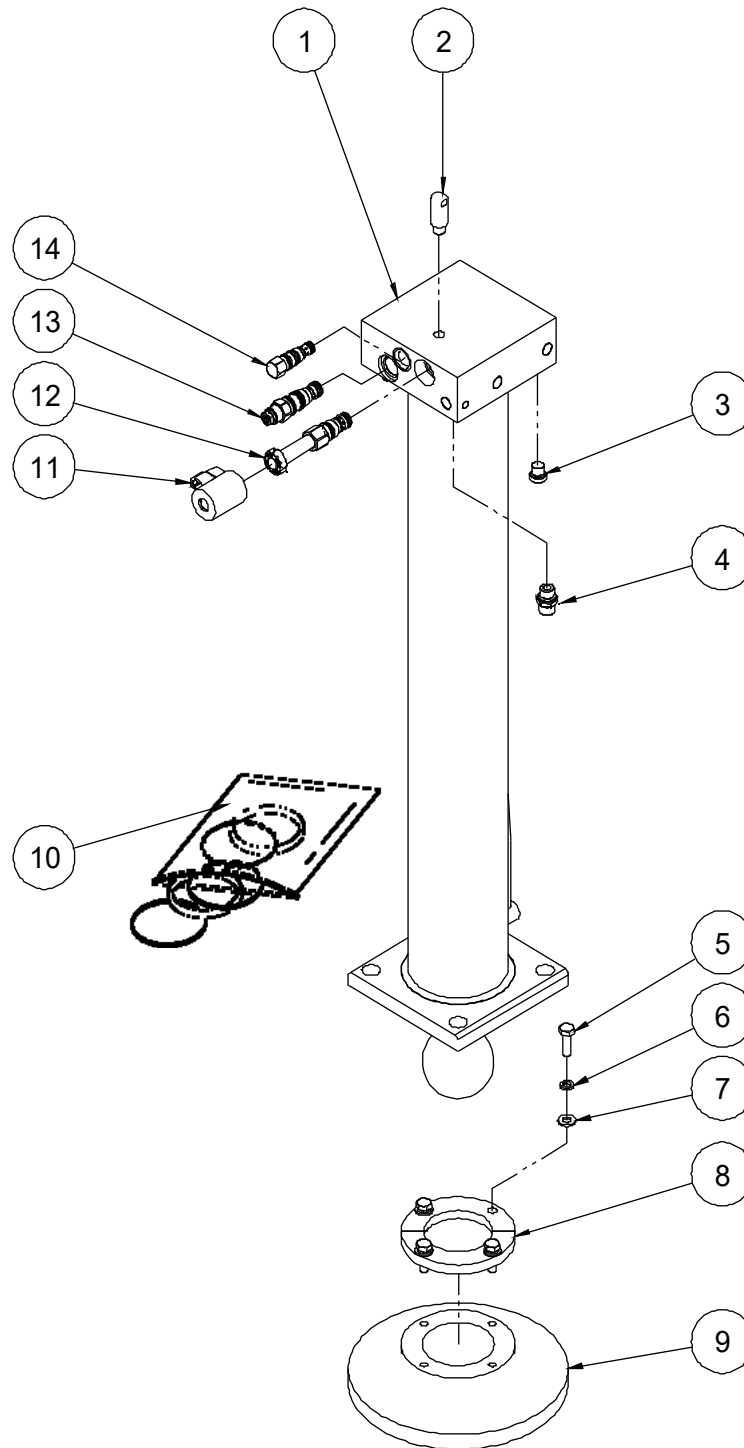
405.3 Outrigger Cylinder Assembly



405.3 Outrigger Cylinder Assembly

Item	Part No.	Description	Qty.
1	10025165	Outrigger cylinder	1
2	10000001	Pin	1
3	00001111	Plug VST11/4ED	2
4	00001294	Straight fitting	2
5	00000683	Bolt GB/T 5783 M10×30	4
6	00000679	Washer GB/T 93 10	4
7	00000615	Washer GB/T 97.1 10	4
8	10004004	Retainer	1
9	10003999	Outrigger footpad	1
10	00010806	Seal kit	1
11	00003017	Nut	1
12	00008559	Coil	1
13	00003280	Solenoid valve spool (SV4, SV5, SV6, SV7)	1
14	00009755	Counterbalance valve spool (CB4)	1
15	00003281	Pilot-operated check valve (PC1, PC2, PC3, PC4)	1

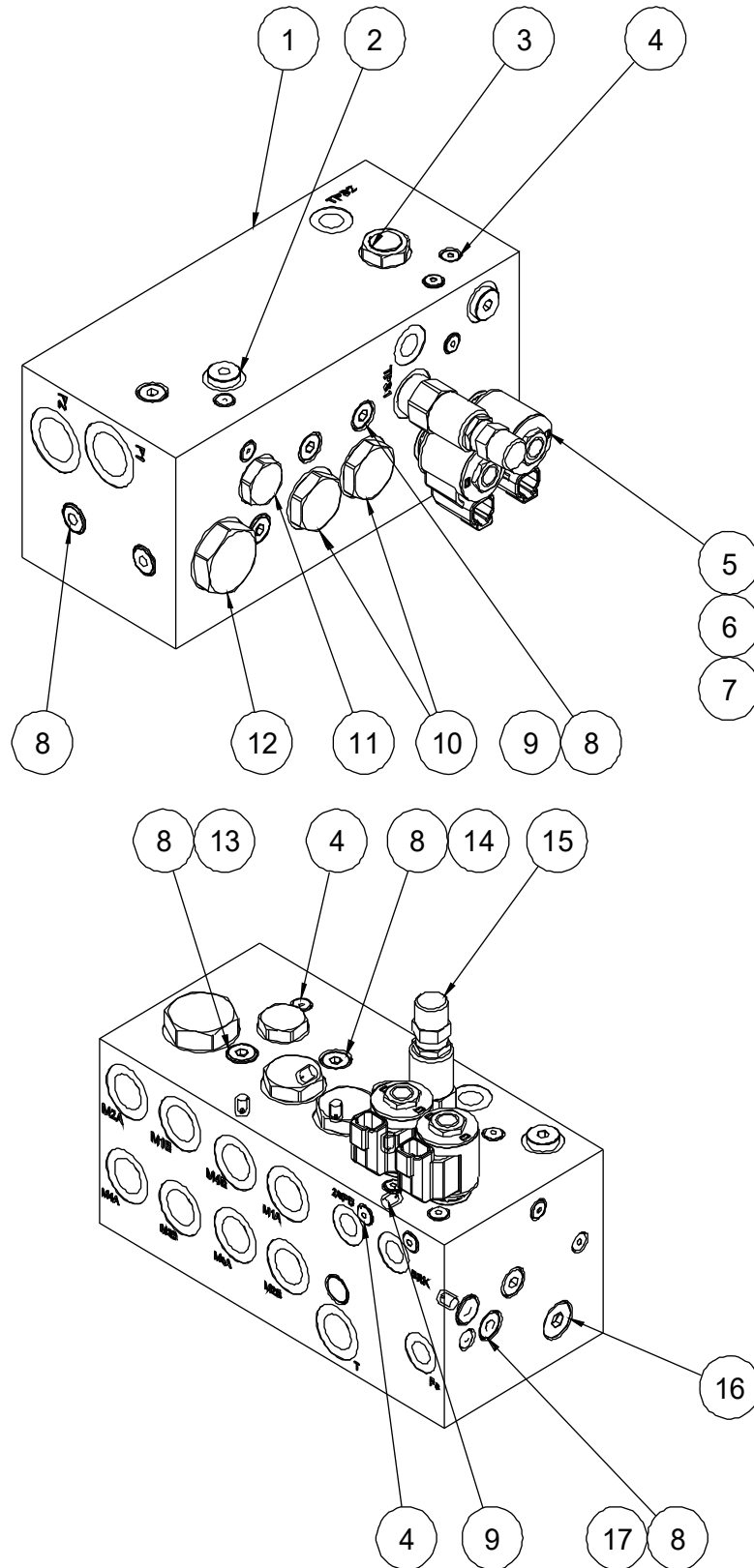
405.4 Outrigger Cylinder Assembly



405.4 Outrigger Cylinder Assembly

Item	Part No.	Description	Qty.
1	10025166	Outrigger cylinder	1
2	10000001	Pin	1
3	00001111	Plug VST11/4ED	2
4	00001294	Straight fitting	2
5	00000683	Bolt GB/T 5783 M10×30	4
6	00000679	Washer GB/T 93 10	4
7	00000615	Washer GB/T 97.1 10	4
8	10004004	Retainer	1
9	10003999	Outrigger footpad	1
10	00010806	Seal kit	1
11	00004592	Coil	1
12	00009455	Solenoid valve spool (SV12, SV13, SV14, SV15)	1
13	00009755	Counterbalance valve spool (CB4)	1
14	00009253	Pilot-operated check valve (PC1, PC2, PC3, PC4)	1

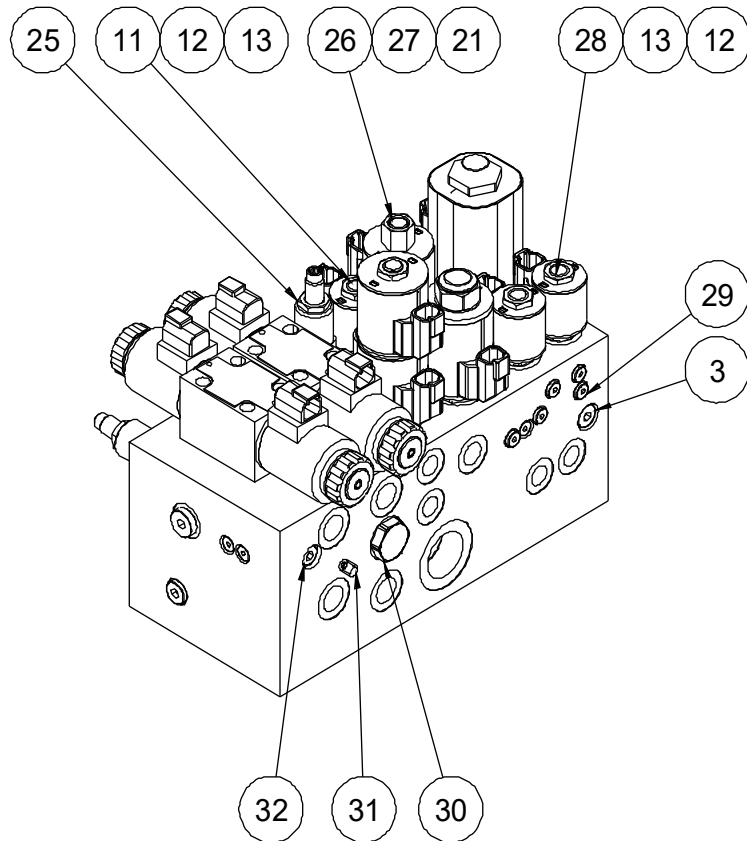
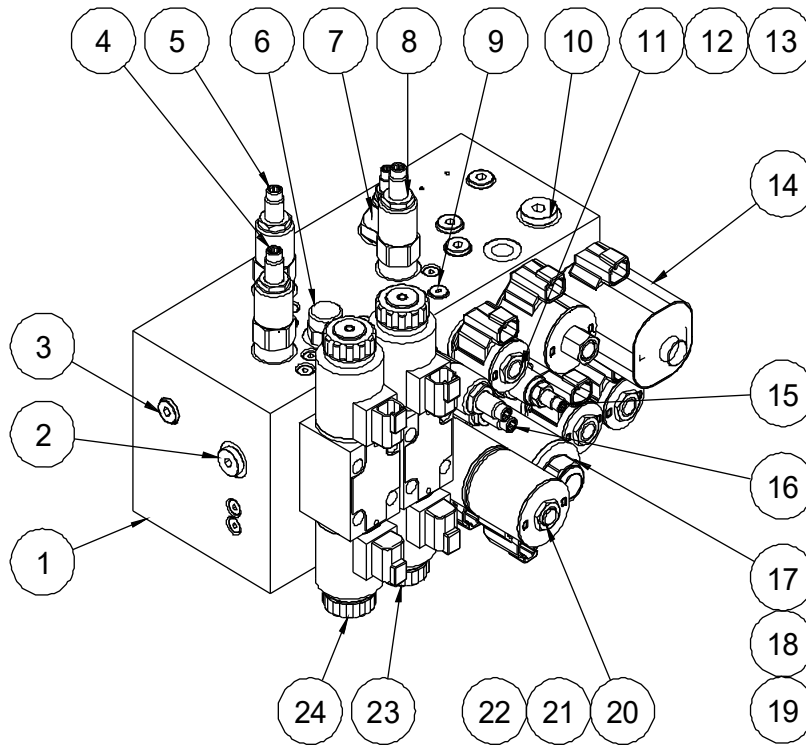
406.1 Drive Manifold



406.1 Drive Manifold

Item	Part No.	Description	Qty.
1	00009984	Valve body	1
2	00001073	Plug VST114×1.5ED	2
3	00003920	Shuttle valve (HS1)	1
4	00002999	Plug SAE2	13
5	00004091	Coil	2
6	00003916	Solenoid valve spool (SV8, SV9)	2
7	00003017	Nut	2
8	00003361	Plug SAE6	12
9	00003000	Orifice $\Phi 1.0$	2
10	00003918	Flow divider/combiner valve (FD1, FD2)	2
11	00003921	Shuttle valve (LS1)	1
12	00003919	Flow divider/combiner valve (FD3)	1
13	00004600	Orifice 3/8-16_ $\Phi 2.3$	1
14	00004596	Orifice 3/8-16_ $\Phi 1.3$	1
15	00003922	Relief valve (RV1)	1
16	00003351	Plug SAE8	1
17	00003578	Orifice $\Phi 0.8$	2

407.1 Function Manifold



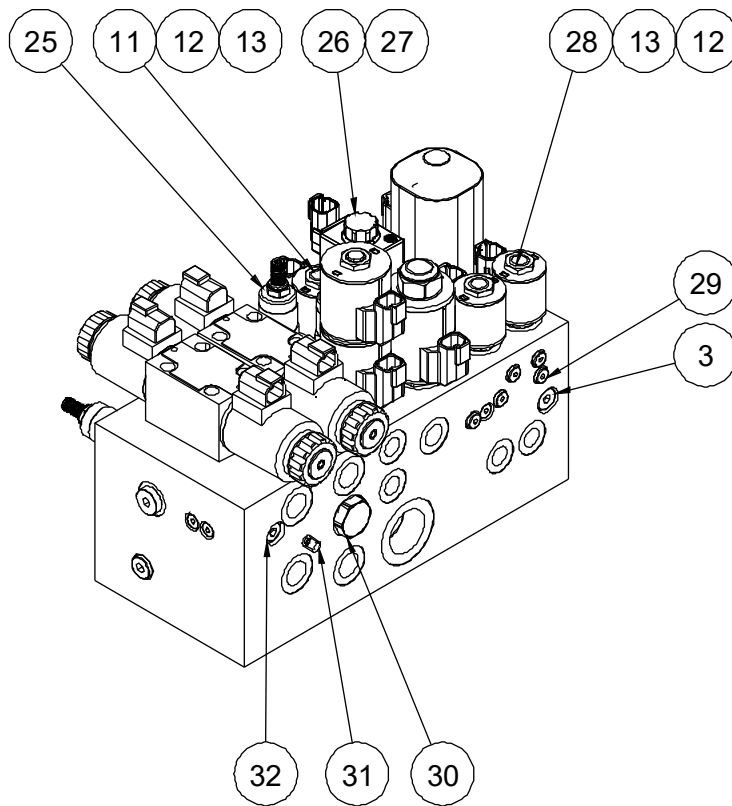
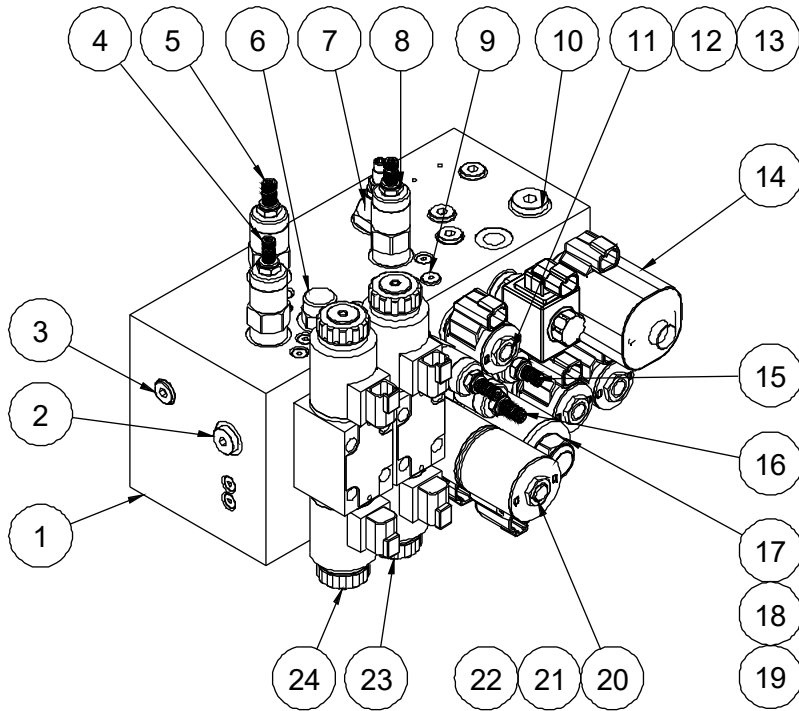
407.1 Function Manifold

Item	Part No.	Description	Qty.
1	00008741	Valve body	1
2	00001073	Plug VST114×1.5ED	1
3	00003361	Plug SAE6	9
4	00008508	Relief valve (CR2)	1
5	00008511	Relief valve (RV2)	1
6	00003999	Flow control valve (FR1)	1
7	00008558	Flow control valve (FR3) (matching with Alternator 110V)	1
	00009434	Flow control valve (FR3) (matching with Alternator 220V)	1
8	00008510	Relief valve (RV1)	1
9	00002997	Plug SAE3	6
10	00001075	Plug VST118×1.5ED	1
11	00004549	Solenoid valve spool (SV10)	1
12	00004091	Coil	3
13	00003017	Nut	4
14	00008557	Solenoid valve (SV16) (with alternator)	1
--	00004364	Solenoid valve spool	1
--	00008638	Coil	1
--	00004373	Nut	1
15	00009039	Flow control valve (FR2)	1
16	00004554	Relief valve (RV3)	1
17	00006732	Coil	1
18	00004003	Nut	1
19	00007037	Proportional valve (PV1)	1
20	00003996	Solenoid valve spool (SV2)	1
21	00006762	Coil	3
22	00006735	Washer	1
23	00008370	Solenoid valve (SV1)	1
24	00008189	Solenoid valve (SV3)	1
25	00009040	Relief valve (CR1)	1

407.1 Function Manifold

Item	Part No.	Description	Qty.
26	00004548	Solenoid valve spool (SV11)	1
27	00006764	Nut	1
28	00004550	Solenoid valve spool (SV12, SV13)	2
29	00002999	Plug SAE2	21
30	00003998	Check valve (CV1)	1
31	00004001	Orifice 3/8-16_Φ3.5	1
32	00002998	Plug SAE4	4

407.2 Function Manifold



407.2 Function Manifold

Item	Part No.	Description	Qty.
1	00008741	Valve body	1
2	00001073	Plug VSTI14×1.5ED	1
3	00003361	Plug SAE6	9
4	00010533	Relief valve (CR2)	1
5	00010534	Relief valve (RV2)	1
6	00003999	Flow control valve (FR1)	1
7	00008558	Flow control valve (FR3) (matching with Alternator 110V)	1
	00009434	Flow control valve (FR3) (matching with Alternator 220V)	1
8	00010531	Relief valve (RV1)	1
9	00002997	Plug SAE3	6
10	00001075	Plug VSTI18×1.5ED	1
11	00004549	Solenoid valve spool (SV10)	1
12	00004091	Coil	3
13	00003017	Nut	4
14	00008557	Solenoid valve (SV16) (with alternator)	1
--	00004364	Solenoid valve spool	1
--	00008638	Coil	1
--	00004373	Nut	1
15	00010529	Flow control valve (FR2)	1
16	00010530	Relief valve (RV3)	1
17	00006732	Coil	1
18	00004003	Nut	1
19	00007037	Proportional valve (PV1)	1
20	00003996	Solenoid valve spool (SV2)	1
21	00006762	Coil	3
22	00006735	Washer	1
23	00008370	Solenoid valve (SV1)	1
24	00008189	Solenoid valve (SV3)	1
25	00010528	Relief valve (CR1)	1

407.2 Function Manifold

Item	Part No.	Description	Qty.
26	00010532	Solenoid valve spool (SV11)	1
27	00009641	Coil	1
28	00004550	Solenoid valve spool (SV12, SV13)	2
29	00002999	Plug SAE2	21
30	00003998	Check valve (CV1)	1
31	00004001	Orifice 3/8-16_Φ3.5	1
32	00002998	Plug SAE4	4

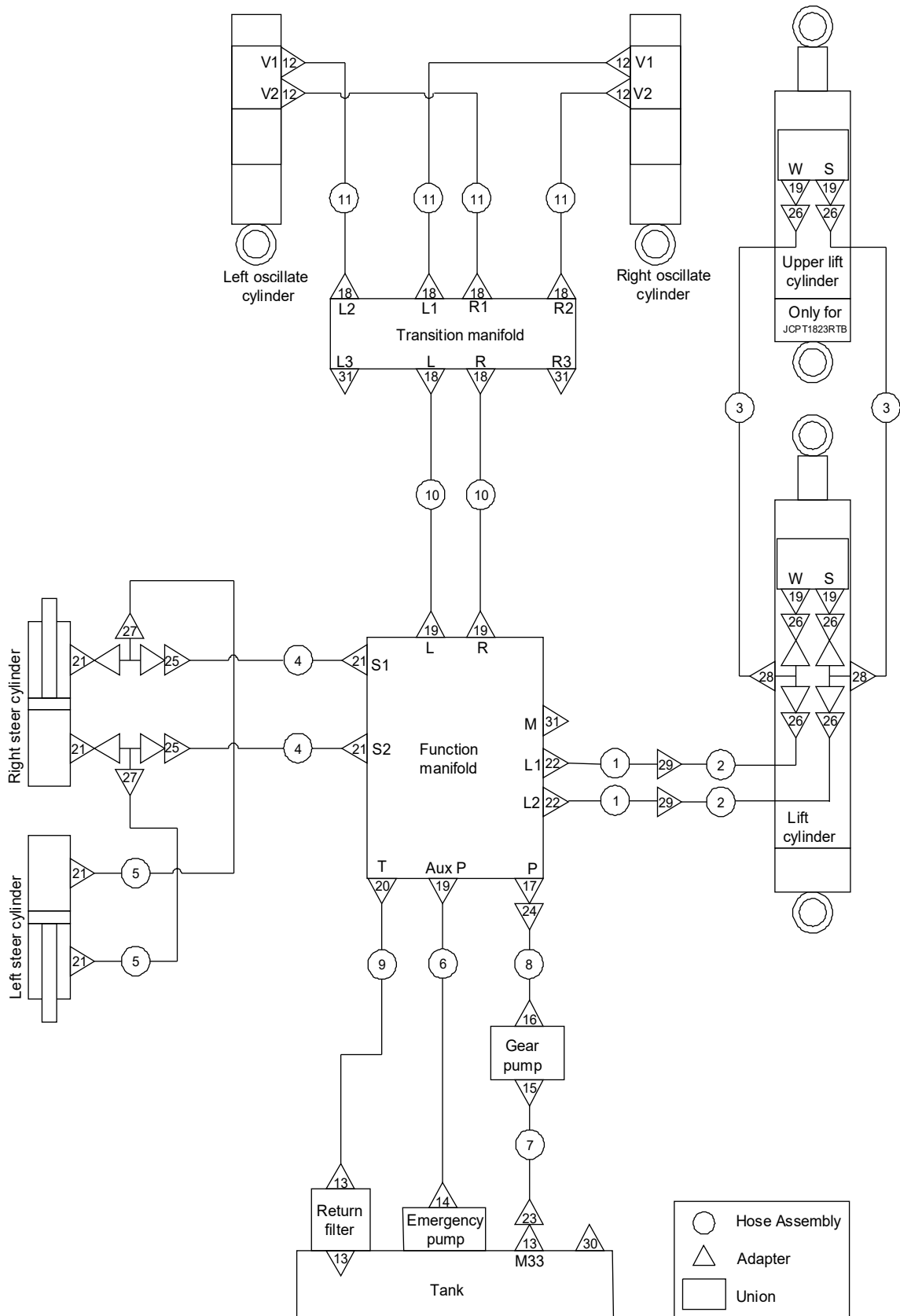
408.1 Hydraulic Hoses and Fittings-Drive

Item	Part No.	Description	Qty.
1	00004185	Hose assembly	4
2	00004186	Hose assembly	2
3	00004187	Hose assembly	2
4	00004188	Hose assembly (matching with Kubota Engine)	1
	00009871	Hose assembly (matching with YANMAR Engine)	1
5	00004188	Hose assembly (matching with Kubota Engine)	1
	00009872	Hose assembly (matching with YANMAR Engine)	1
6	00004189	Hose assembly	1
7	00004190	Hose assembly	1
8	00004191	Hose assembly	1
9	00004192	Hose assembly (matching with Kubota Engine)	1
	00009873	Hose assembly (matching with YANMAR Engine)	1
10	00004193	Hose assembly	2
11	00003704	Hose assembly	1
12	00004194	Hose assembly	2
13	00004195	Hose assembly	2
14	00004196	Hose assembly	2
15	00002197	Hose assembly	2
16	00004197	Hose assembly	2
17	00004198	Hose assembly	1
18	00004199	Hose assembly	1
19	00009524	Hose assembly	1
20	00001266	Straight fitting	2
21	00001283	Straight fitting	8
22	00002073	Straight fitting	8
23	00001285	Straight fitting	2
24	00001783	Straight fitting	1
25	00001270	Straight fitting	1
26	00001269	Straight fitting	2

408.1 Hydraulic Hoses and Fittings-Drive

Item	Part No.	Description	Qty.
27	00001282	Straight fitting	3
28	00001769	Straight fitting	4
29	00002072	Straight fitting	3
30	00001775	Straight fitting	4
31	00002071	Straight fitting	5
32	00001780	Straight fitting	1
33	00001776	Straight fitting	1
34	00002069	Straight fitting	2
35	00001790	Straight fitting	2
36	00003734	Straight fitting	1
37	00004023	Elbow	1
38	00001842	Elbow	2
39	00001837	Elbow	1
40	00001832	Elbow	5
41	00001835	Elbow	5
42	00001841	Elbow	4
43	00001237	Tee fitting	6
44	00001240	Tee fitting	2
45	00009885	Tee fitting	1
46	00001074	Plug VSTI16×1.5ED	2
47	00001073	Plug VSTI14×1.5ED	2

409.1 Hydraulic Hoses and Fittings-Function



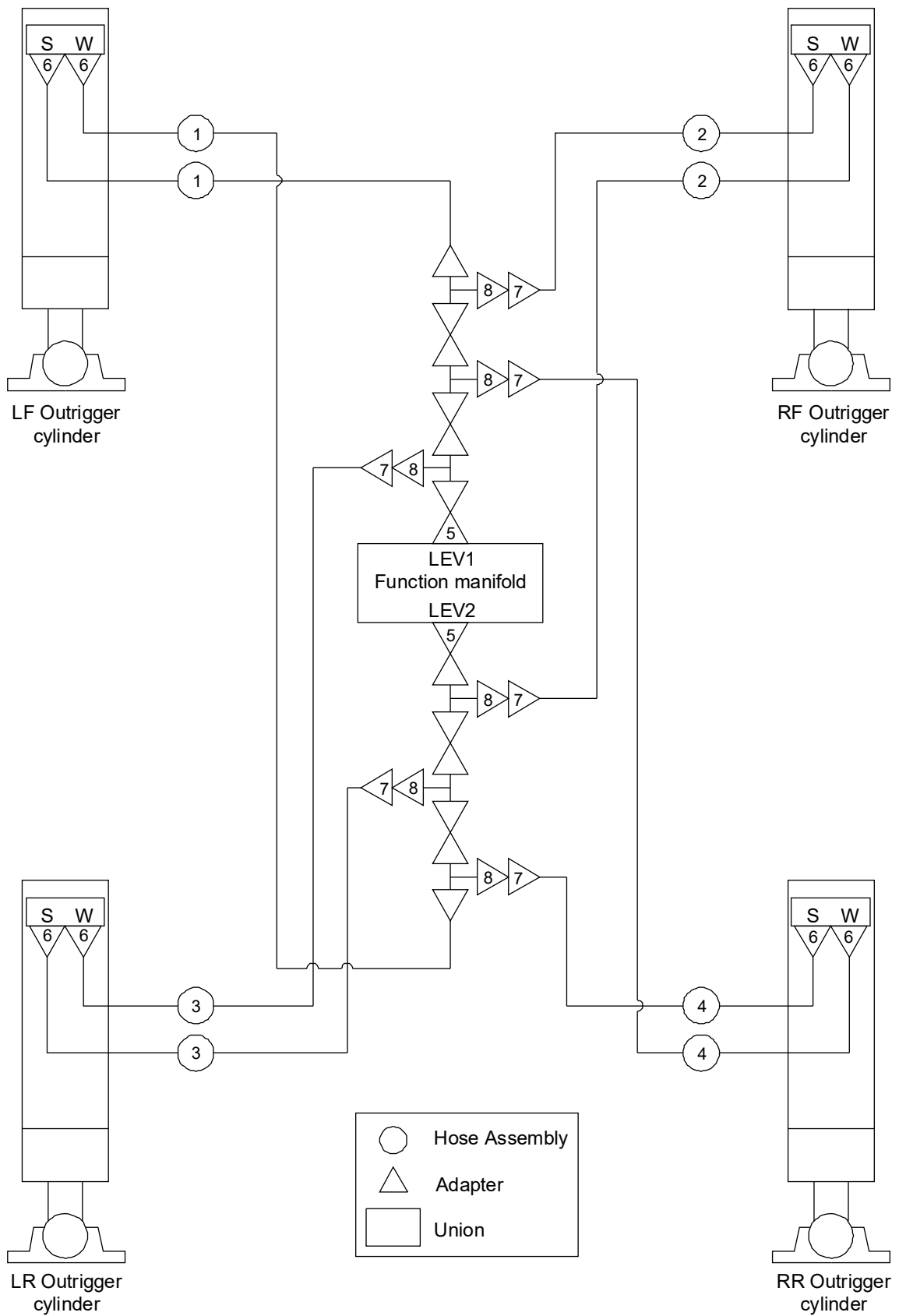
409.1 Hydraulic Hoses and Fittings-Function

Item	Part No.	Description	Qty.
1	00004175	Hose assembly	2
2	00004176	Hose assembly	2
3	00004177	Hose assembly (only for JCPT1823RTB)	2
4	00004178	Hose assembly	2
5	00004179	Hose assembly	2
6	00004184	Hose assembly	1
7	00004181	Hose assembly (matching with Kubota Engine)	1
	00009868	Hose assembly (matching with YANMAR Engine)	1
8	00004182	Hose assembly (matching with Kubota Engine)	1
	00009870	Hose assembly (matching with YANMAR Engine)	1
9	00003702	Hose assembly	1
10	00002472	Hose assembly	2
11	00004544	Hose assembly	4
12	00001291	Straight fitting	4
13	00002071	Straight fitting	3
14	00001501	Straight fitting	1
15	00001782	Straight fitting	1
16	00001776	Straight fitting	1
17	00001266	Straight fitting	1
18	00001290	Straight fitting	6
19	00001294	Straight fitting (for JCPT1823RTB)	5
	00001294	Straight fitting (for JCPT1523RTB)	3
20	00001272	Straight fitting	1
21	00001282	Straight fitting	6
22	00001262	Straight fitting	2
23	00001837	Elbow	1
24	00001835	Elbow	1
25	00001832	Elbow	2
26	00001834	Elbow	6

409.1 Hydraulic Hoses and Fittings-Function

Item	Part No.	Description	Qty.
27	00001237	Tee fitting	2
28	00001239	Tee fitting (only for JCPT1823RTB)	2
29	00002137	Straight fitting	2
30	00001074	Plug VST116×1.5ED	1
31	00001073	Plug VST114×1.5ED	3

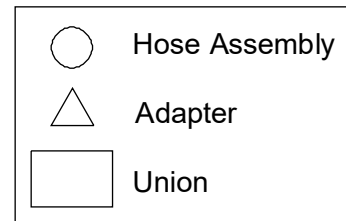
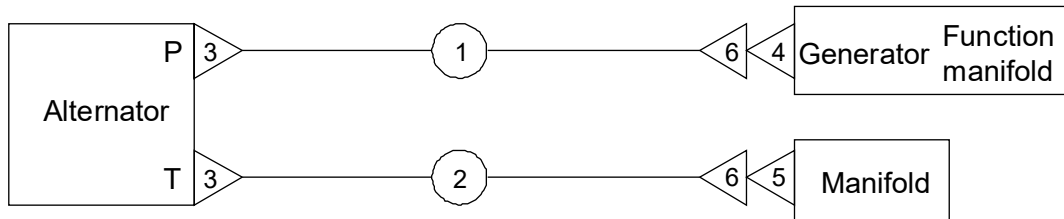
410.1 Hydraulic Hoses and Fittings-Outrigger



410.1 Hydraulic Hoses and Fittings-Outrigger

Item	Part No.	Description	Qty.
1	00008778	Hose assembly	2
2	00008779	Hose assembly	2
3	00008780	Hose assembly	2
4	00008927	Hose assembly	2
5	00001262	Straight fitting	2
6	00001294	Straight fitting	8
7	00001834	Elbow	6
8	00001239	Tee fitting	6

411.1 Hydraulic Hoses and Fittings-Alternator (option)

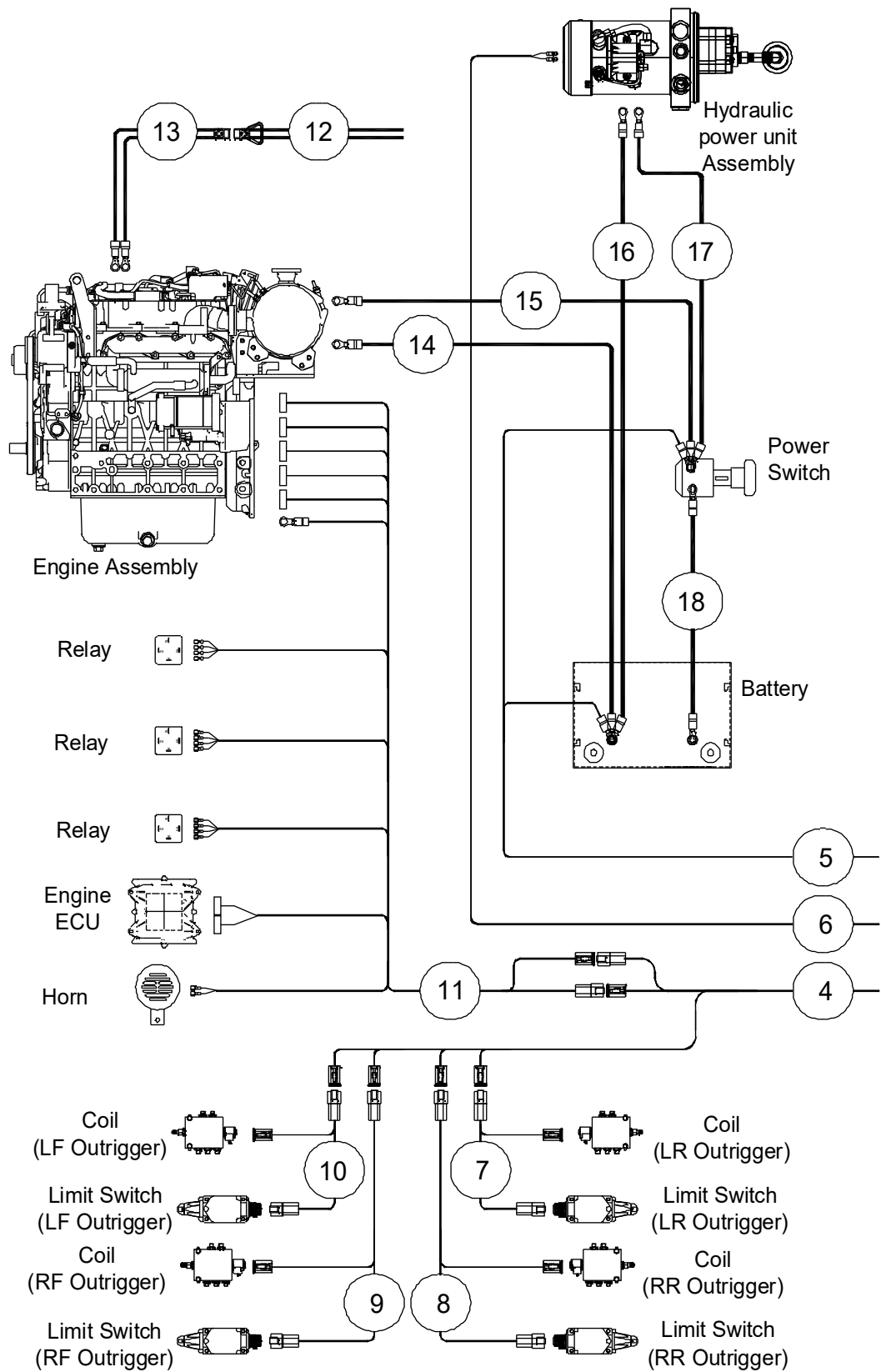


411.1 Hydraulic Hoses and Fittings-Alternator (option)

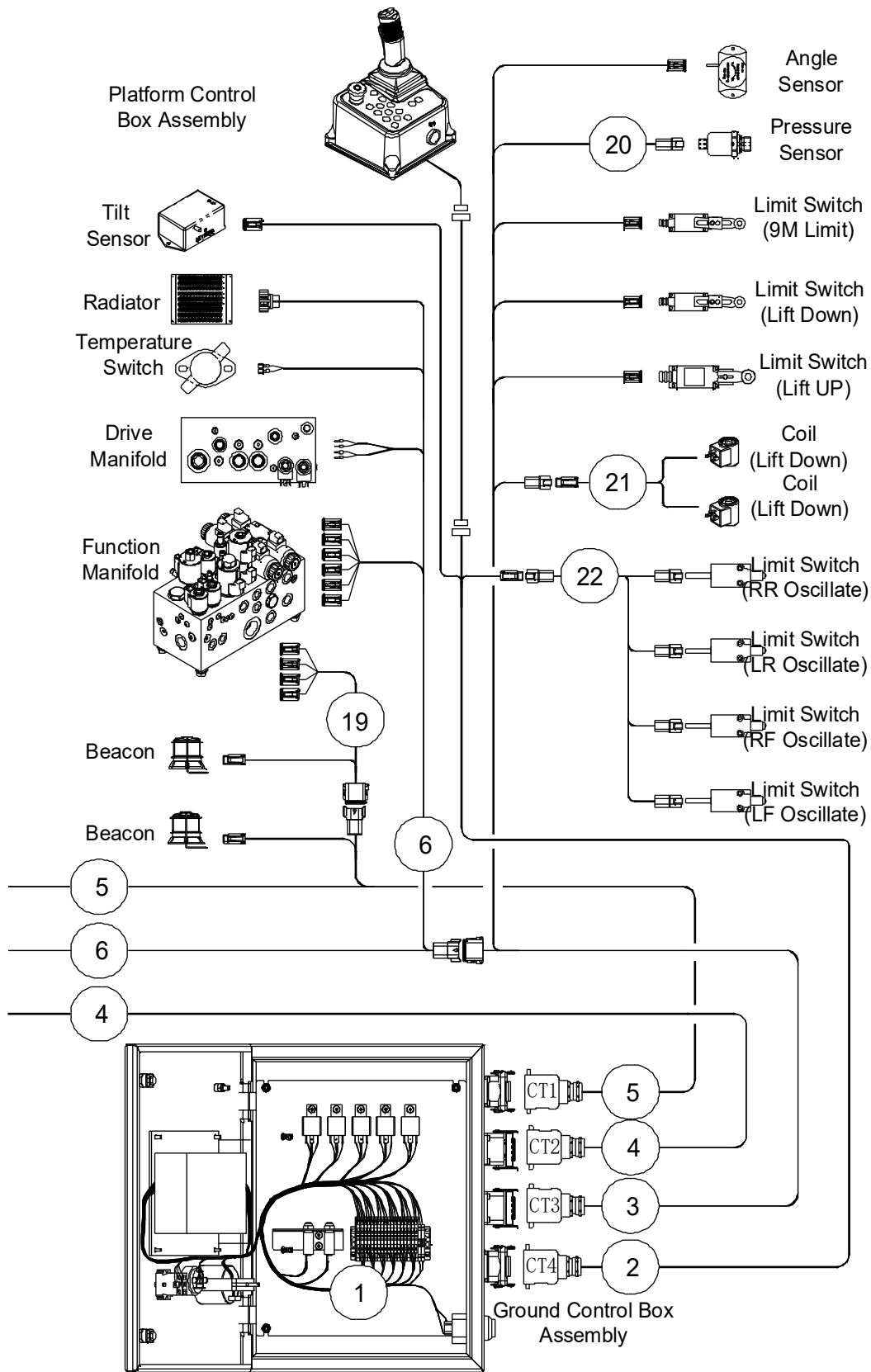
Item	Part No.	Description	Qty.
1	00008563	Hose assembly	1
2	00008564	Hose assembly	1
3	00001506	Straight fitting	2
4	00001264	Straight fitting	1
5	00001240	Tee fitting	1
6	00001835	Elbow	2

Section 5 Electrical System

501.1 Electrical Harness (Kubota EU Stage V Engine)



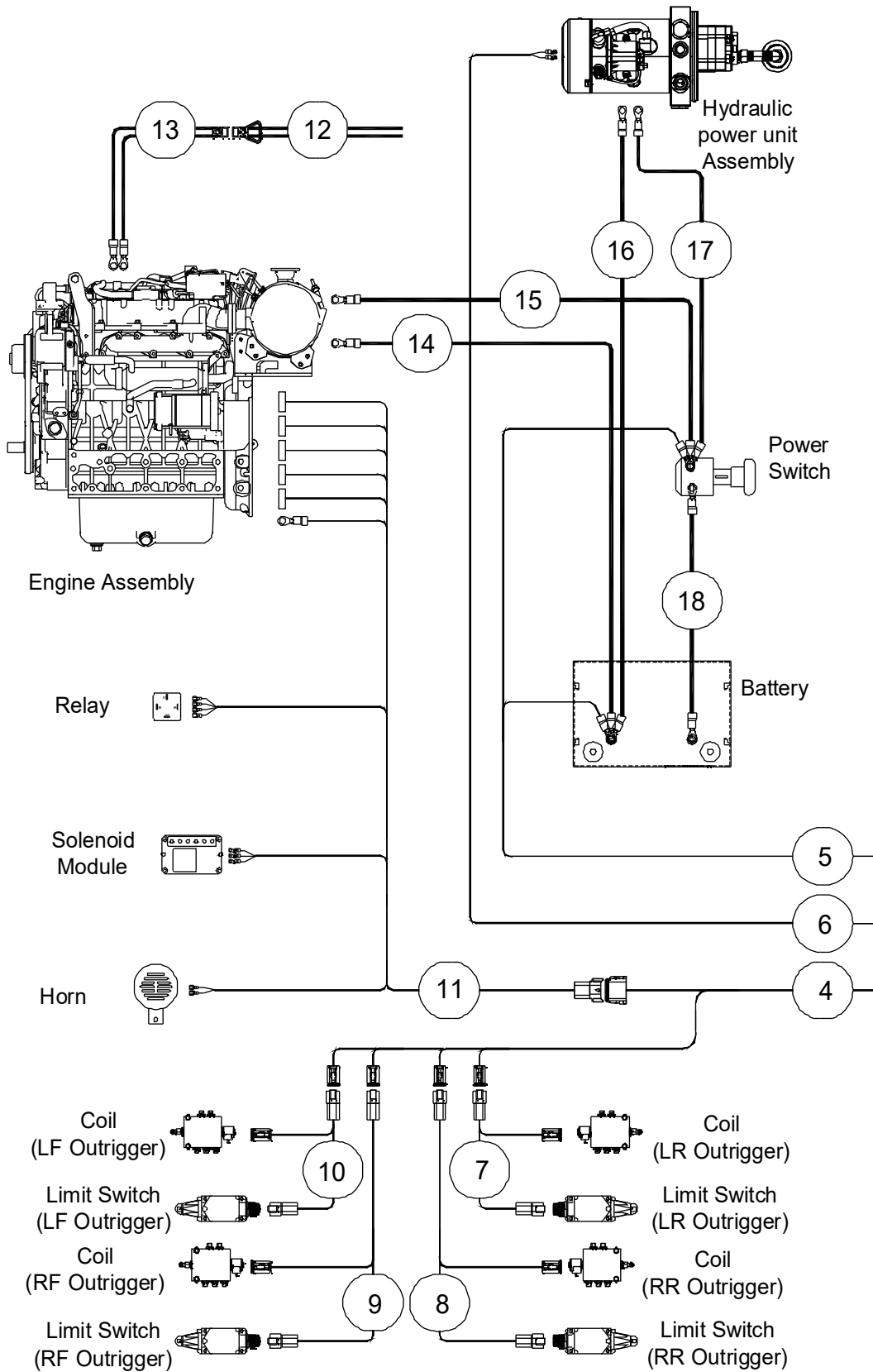
501.1 Electrical Harness (Kubota EU Stage V Engine)



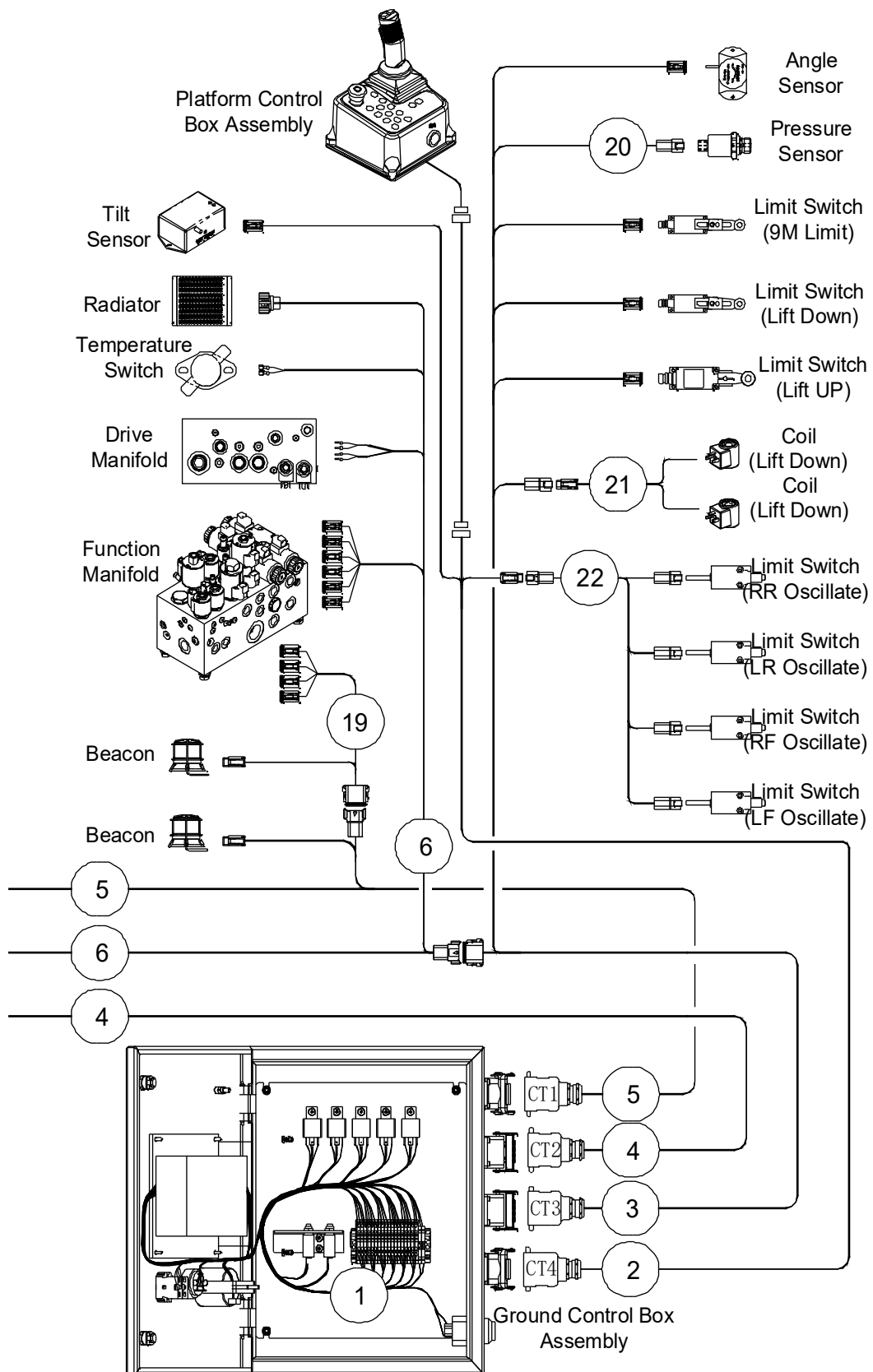
501.1 Electrical Harness (Kubota EU Stage V Engine)

Item	Part No.	Description	Qty.
1	00008743	Ground control box harness	1
2	00008748	CT4 harness	1
3	00008747	CT3 harness	1
4	00008932	CT2 harness	1
5	00008744	CT1 harness	1
6	00008749	EV harness	1
7	00008752	LR Outrigger harness	1
8	00008754	RR Outrigger harness	1
9	00008753	RF Outrigger harness	1
10	00008751	LF Outrigger harness	1
11	00009898	Engine harness	1
12	00006862	External battery harness 1	1
13	00006867	External battery harness 2	1
14	00008756	Engine negative harness	1
15	00007964	Engine positive harness	1
16	00008757	Emergency pump negative harness	1
17	00006861	Emergency pump positive harness	1
18	00008755	Battery positive harness	1
19	00008759	FV harness	1
20	00007965	Pressure sensor harness	1
21	00007323	Lowering valve harness (JCPT1523RTB)	1
	00007324	Lowering valve harness (JCPT1823RTB)	1
22	00008758	Oscillate switch harness	1

501.2 Electrical Harness (Kubota EU Stage IIIB Engine)



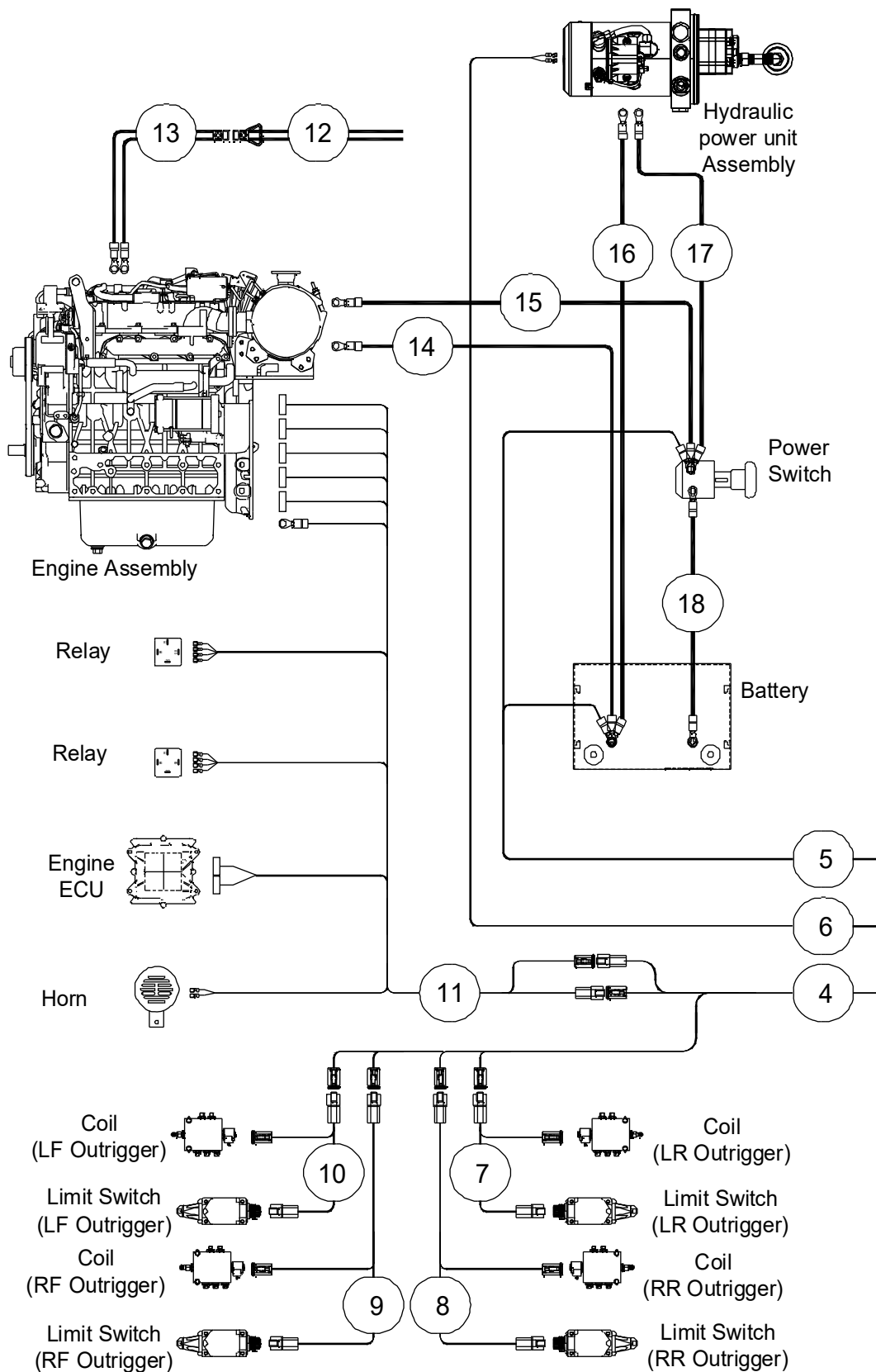
501.2 Electrical Harness (Kubota EU Stage IIIB Engine)



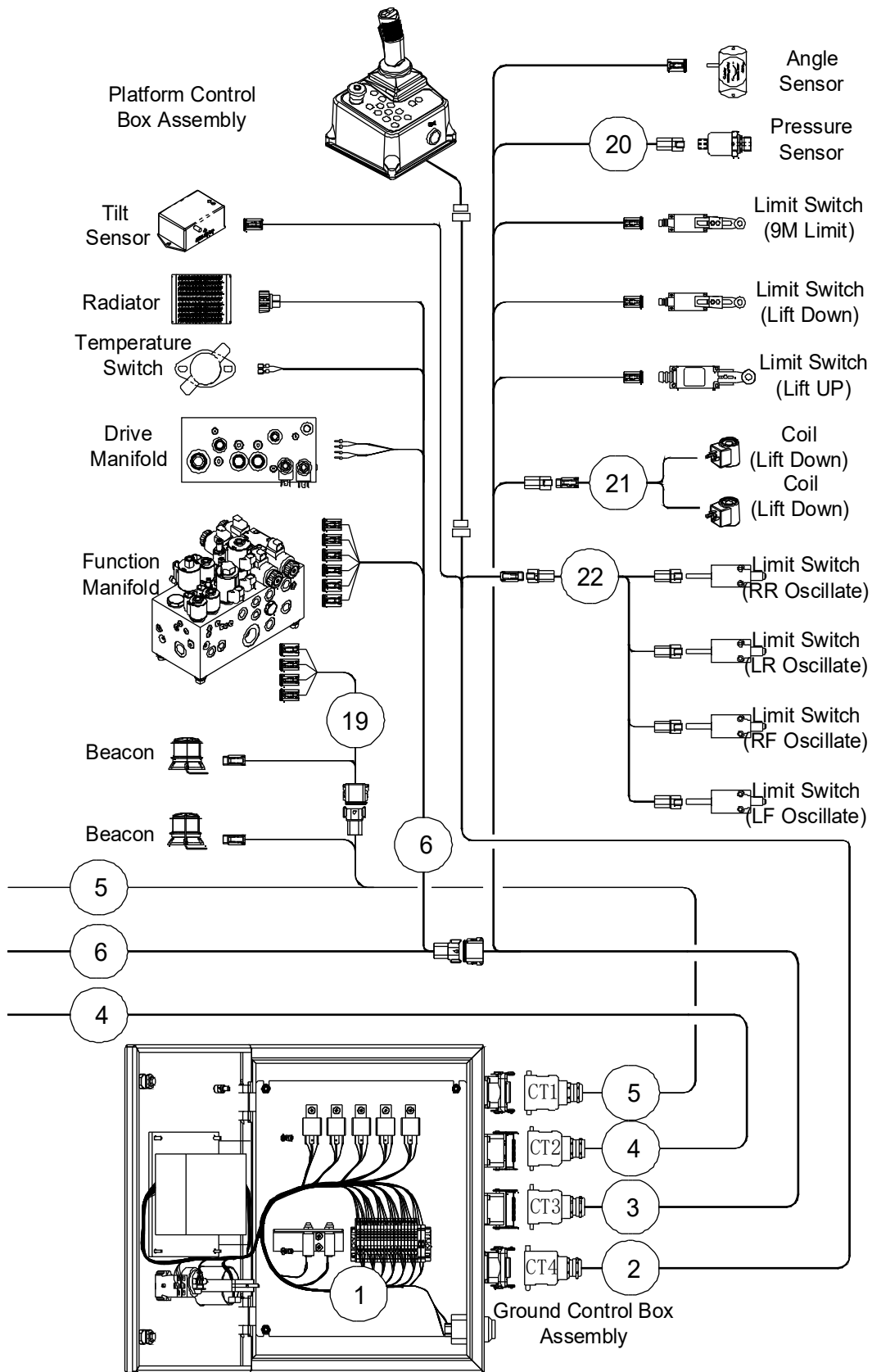
501.2 Electrical Harness (Kubota EU Stage IIIB Engine)

Item	Part No.	Description	Qty.
1	00008843	Ground control box harness	1
2	00008748	CT4 harness	1
3	00008747	CT3 harness	1
4	00008745	CT2 harness	1
5	00008744	CT1 harness	1
6	00008749	EV harness	1
7	00008752	LR Outrigger harness	1
8	00008754	RR Outrigger harness	1
9	00008753	RF Outrigger harness	1
10	00008751	LF Outrigger harness	1
11	00009899	Engine harness	1
12	00006862	External battery harness 1	1
13	00006867	External battery harness 2	1
14	00008756	Engine negative harness	1
15	00006860	Engine positive harness	1
16	00008757	Emergency pump negative harness	1
17	00006861	Emergency pump positive harness	1
18	00008755	Battery positive harness	1
19	00008759	FV harness	1
20	00007965	Pressure sensor harness	1
21	00007323	Lowering valve harness (JCPT1523RTB)	1
	00007324	Lowering valve harness (JCPT1823RTB)	1
22	00008758	Oscillate switch harness	1

501.3 Electrical Harness (YANMAR EU Stage V Engine)



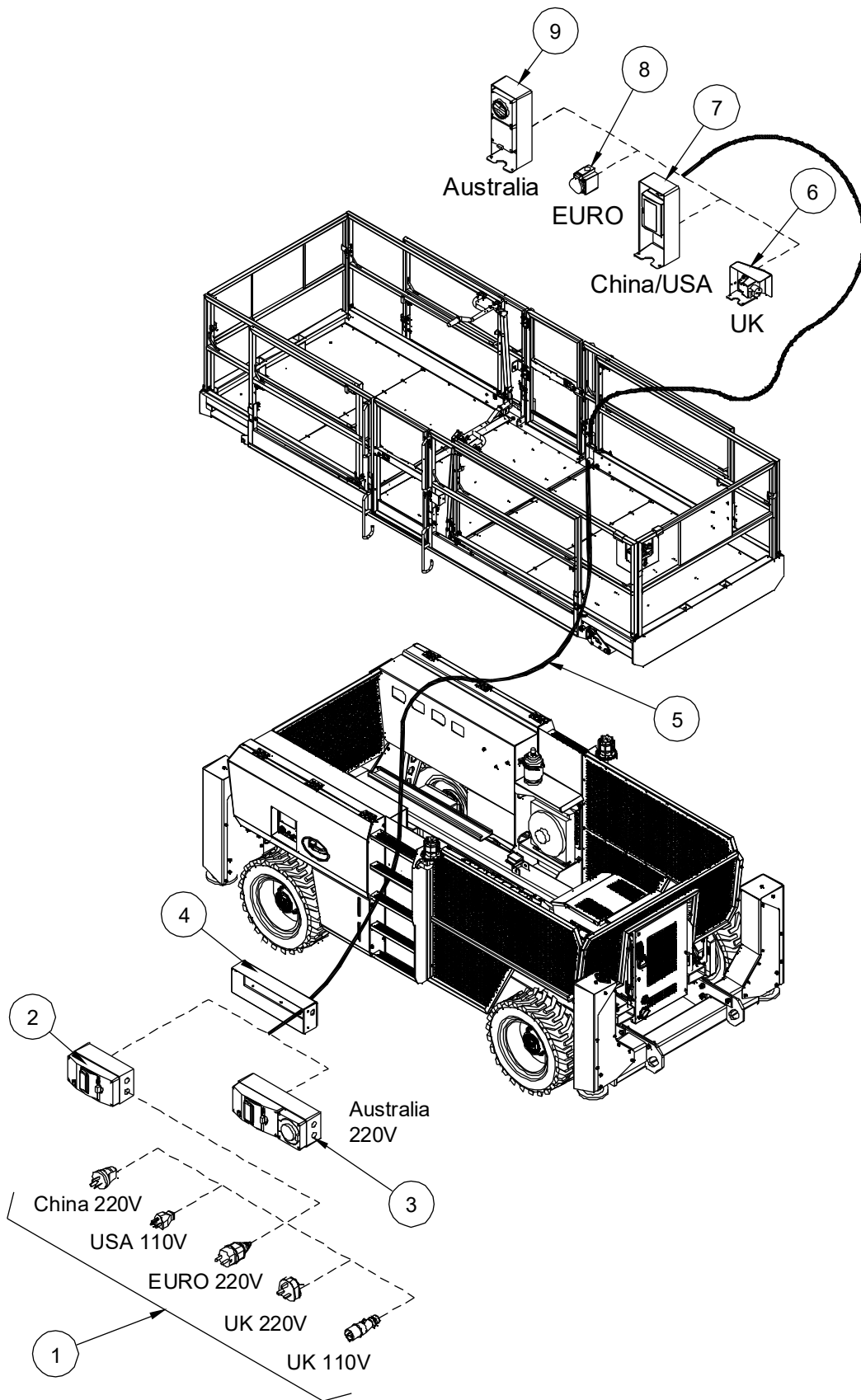
501.3 Electrical Harness (YANMAR EU Stage V Engine)



501.3 Electrical Harness (YANMAR EU Stage V Engine)

Item	Part No.	Description	Qty.
1	00009883	Ground control box harness	1
2	00008748	CT4 harness	1
3	00008747	CT3 harness	1
4	00009884	CT2 harness	1
5	00008744	CT1 harness	1
6	00008749	EV harness	1
7	00008752	LR Outrigger harness	1
8	00008754	RR Outrigger harness	1
9	00008753	RF Outrigger harness	1
10	00008751	LF Outrigger harness	1
11	00009677	Engine harness	1
12	00006862	External battery harness 1	1
13	00006867	External battery harness 2	1
14	00009887	Engine negative harness	1
15	00009886	Engine positive harness	1
16	00008757	Emergency pump negative harness	1
17	00006861	Emergency pump positive harness	1
18	00008755	Battery positive harness	1
19	00008759	FV harness	1
20	00007965	Pressure sensor harness	1
21	00007323	Lowering valve harness (JCPT1523RTB)	1
	00007324	Lowering valve harness (JCPT1823RTB)	1
22	00008758	Oscillate switch harness	1

502.1 Power to Platform

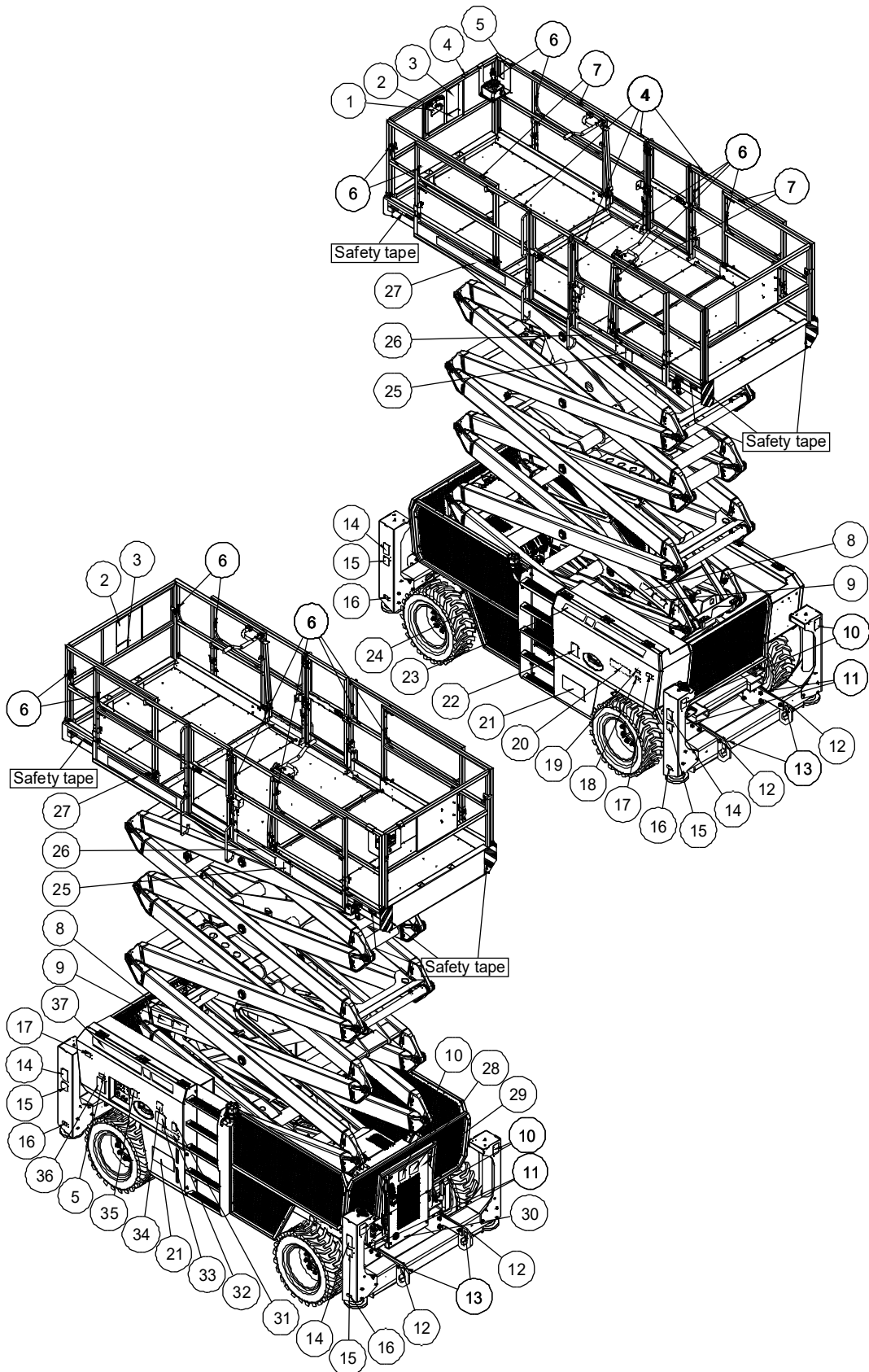


502.1 Power to Platform

Item	Part No.	Description	Qty.
1	00003148	AC plug (China 220V)	1
	00003149	AC plug (USA 110V)	1
	00003151	AC plug (European 220V)	1
	00003150	AC plug (UK 220V)	1
	00002615	AC plug (UK 110V)	1
2	00002634	Circuit breaker (Option)	1
3	00002603	AC plug (Australia 220V)	1
4	10005291	Circuit breaker bracket	1
5	00004694	Wire cable, platform AC power (JCPT1523RTB)	1
	00004695	Wire cable, platform AC power (JCPT1823RTB)	1
6		Platform AC socket (UK)	1
--	00004771	AC socket (UK)	1
--	10015580	AC socket bracket (UK)	1
7		Platform AC socket (China/USA)	1
--	00000668	AC socket (China/USA)	1
--	10009657	AC socket bracket (China/USA)	1
8	00002709	AC socket (European)	1
9		Platform AC socket (Australia)	1
--	00002617	AC socket (Australia)	1
--	10009657	AC socket bracket (Australia)	1

Section 6 Decal

601.1 Decals with Words



601.1 Decals with Words


Item	Part No.	Description	Qty.
1	09340001	Decal, Notice-Keep the manual with the machine	1
2	09440119	Decal, Danger-Tip-over hazard, tilt-alarm	2
3	09440001	Decal, Danger-General safety rules	2
4	09340070	Decal, Symbols-Non operating hand position	5
5	09340003	Decal, Instructions-Refer the operator to the instructions for use	2
6	09440059	Decal, Label-Lanyard anchorage point	16
7	09440212	Decal, Warning-Crushing hazard	4
8	09430003	Decal, Danger-Keep away from moving parts	2
9	09430001	Decal, Danger-Safety arm	2
10	09420005	Decal, Warning-Collision hazard	5
11	09310470	Decal, Instructions-Maximum wheel load 2480kg (JCPT1523RTB)	4
	09310471	Decal, Instructions-Maximum wheel load 2680kg (JCPT1823RTB)	4
12	09310050	Decal, Instructions-Tie down point	4
13	09310049	Decal, Instructions-Lift point	4
14	09410069	Decal, Warning-Crushing hazard, outrigger	4
15	09410157	Decal, Symbols-Outrigger using warning	4
16	09310473	Decal, Instructions-Maximum outrigger load 2480kg (JCPT1523RTB)	4
	09310474	Decal, Instructions-Maximum outrigger load 2680kg (JCPT1823RTB)	4
17	09540001	Decal, Label-CE	2
18	09310053	Decal, Instructions-Lowest oil level	1
19	09310052	Decal, Instructions-Highest oil level	1
20	09310146	Decal, Instructions-Hydraulic	1
21	09910007	Decal, Label-4×4	2
22	09410071	Decal, Warning-Injection hazard	1
23	09910006	Decal, Label-Cosmetic	1
24	09410005	Decal, Danger-Do not alter or disable limit switch	1
25	09440007	Decal, Caution-Max. manual force 400N	2

601.1 Decals with Words


Item	Part No.	Description	Qty.
26	09440075	Decal, Label-Capacity 680kg (JCPT1523RTB)	2
	09440369	Decal, Label-Capacity 680kg (JCPT1823RTB)	2
27	09640190	Decal, Cosmetic-JCPT1523RTB (JCPT1523RTB)	2
	09640191	Decal, Cosmetic-JCPT1823RTB (JCPT1823RTB)	2
28	09410073	Decal, Caution-Restricting access compartment	1
29	09410266	Decal, Caution-Check the Engine Notice	1
30	09410186	Decal, Symbols-High temperature	1
31	09310536	Decal, Instructions-Noise 114dB	1
32	09320144	Decal, Instructions-Diesel	1
33	09410001	Decal, Danger-Explosion/burn hazard	1
34	09410136	Decal, Notice-Main power switch operation	1
35	09410240	Decal, Symbols-Slope rating (JCPT1523RTB)	1
	09410239	Decal, Symbols-Slope rating (JCPT1823RTB)	1
36	09410003	Decal, Warning-Inspected and operation properly	1
37	09910005	Decal, Label-Cosmetic	1

601.1 Decals with Words


① 09340001




② 09440119



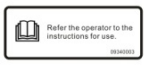
③ 09440001




④ 09340070




⑤ 09340003




⑧ 09430003




⑥ 09440059




⑦ 09440212




⑩ 09420005




⑨ 09430001




⑪ 09310470




⑪ 09310471




⑫ 09310050




⑬ 09310049



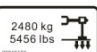
⑭ 09410069



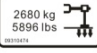
⑮ 09410157




⑯ 09310473




⑯ 09310474




⑰ 09540001




⑱ 09310052




⑳ 09310146




㉑ 09410071




㉒ 09910007




㉔ 09410005



㉕ 09440007



㉖ 09910006



601.1 Decals with Words

26 09440075



26 09440369



27 09640190

JCPT1523RTB

27 09640191

JCPT1823RTB

28 09410073



29 09410266



30 09410186



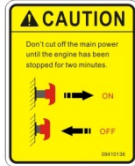
31 09310536



36 09410003



34 09410136



32 09310144



35 09410240



35 09410239



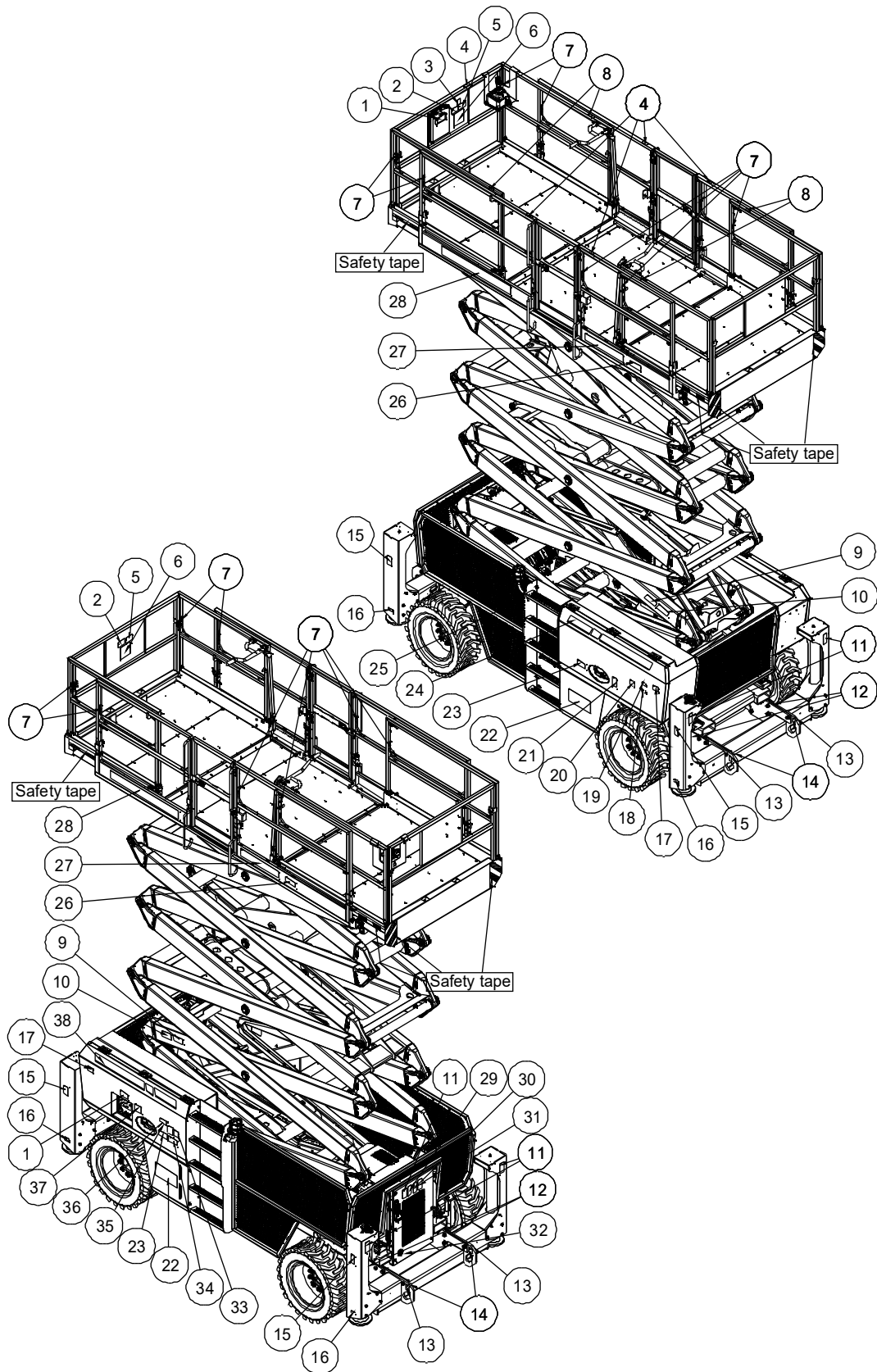
33 09410001



37 09910005



602.1 Decals with Symbols






























602.1 Decals with Symbols

Item	Part No.	Description	Qty.
1	09340026	Decal, Symbols-Refer the operator to the instructions for use	2
2	09440094	Decal, Symbols-Tip-over hazard, outrigger	2
3	09340028	Decal, Instructions-Directional arrows	1
4	09340070	Decal, Symbols-Non operating hand position	5
5	09440090	Decal, Symbols-Tip-over hazard, tilt-alarm	2
6	09440091	Decal, Symbols-General safety rules	2
7	09440089	Decal, Label-Lanyard anchorage point	16
8	09440212	Decal, Warning-Crushing hazard	4
9	09430009	Decal, Symbols-Keep away from moving parts	2
10	09430008	Decal, Symbols-Safety arm	2
11	09410043	Decal, Symbols-Collision hazard	5
12	09310470	Decal, Instructions-Maximum wheel load 2480kg (JCPT1523RTB)	4
	09310471	Decal, Instructions-Maximum wheel load 2680kg (JCPT1823RTB)	4
13	09310050	Decal, Instructions-Tie down point	4
14	09310049	Decal, Instructions-Lift point	4
15	09410042	Decal, Symbols-Crushing hazard	4
16	09310473	Decal, Instructions-Maximum outrigger load 2480kg (JCPT1523RTB)	4
	09310474	Decal, Instructions-Maximum outrigger load 2680kg (JCPT1823RTB)	4
17	09540001	Decal, Label-CE	2
18	09310053	Decal, Instructions-Lowest Hydraulic Oil Level	1
19	09310052	Decal, Instructions-Highest Hydraulic Oil Level	1
20	09310073	Decal, Instructions-Hydraulic Oil	1
21	09410050	Decal, Symbols-Injection hazard	1
22	09910007	Decal, Label-4×4	2
23	09410049	Decal, Symbols-Electrocution hazard	2
24	09910006	Decal, Label-Cosmetic	1

602.1 Decals with Symbols

Item	Part No.	Description	Qty.
25	09410051	Decal, Symbols-Do not alter or disable limit switch	1
26	09440072	Decal, Symbols-Max. manual force 400N	2
27	09440075	Decal, Label-Capacity 680kg (JCPT1523RTB)	2
	09440369	Decal, Label-Capacity 680kg (JCPT1823RTB)	2
28	09640190	Decal, Cosmetic-JCPT1523RTB (JCPT1523RTB)	2
	09640191	Decal, Cosmetic-JCPT1823RTB (JCPT1823RTB)	2
29	09410044	Decal, Symbols-Burn hazard	1
30	09410045	Decal, Symbols-Entanglement hazard	1
31	09410186	Decal, Symbols-High temperature	1
32	09410046	Decal, Symbols-Electrocution hazard	1
33	09310072	Decal, Instructions-Diesel	1
34	09410048	Decal, Symbols-Explosion/burn hazard	1
35	09310536	Decal, Instructions-Noise 114dB	1
36	09310078	Decal, Symbols-Main power switch operation	1
37	09410240	Decal, Symbols-Slope rating,JCPT1523RTB	1
	09410239	Decal, Symbols-Slope rating, JCPT1823RTB	1
38	09910005	Decal, Label-Cosmetic	1

602.1 Decals with Symbols

① 09340026 	② 09440094 	③ 09340028 	④ 09340070 	
⑥ 09440091 	⑦ 09440089 	⑧ 09440212 	⑤ 09440090 	
	⑨ 09430009 	⑩ 09430008 		
⑫ 09310470 	⑫ 09310471 	⑬ 09310050 	⑭ 09310049 	⑪ 09410043 
⑮ 09410042 	⑯ 09310473 	⑰ 09540001 	⑲ 09310052 	
	⑯ 09310474 	⑱ 09310053 	⑳ 09310073 	⑳ 09410050 
	㉒ 09910007 			
		㉓ 09410049 	㉕ 09410051 	
㉔ 09910006 				

602.1 Decals with Symbols

27 09440075



27 09440369



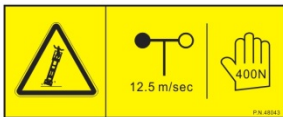
28 09640190

JCPT1523RTB

28 09640191

JCPT1823RTB

26 09440072



29 09410044



30 09410045



32 09410046



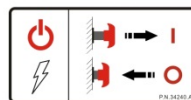
31 09410186



34 09410048



36 09310078



35 09310536



33 09310072



37 09410240



37 09410239



38 09910005



Zhejiang Dingli Machinery Co., Ltd.

No.188 Qihang Road. Deqing Zhejiang P.R.

China 313219

Tel: +86-572-8681688

Fax: +86-572-8681690

Web: www.cndingli.com

E-mail: market@cndingli.com

DINGLI